

REVISIONS C (050502)

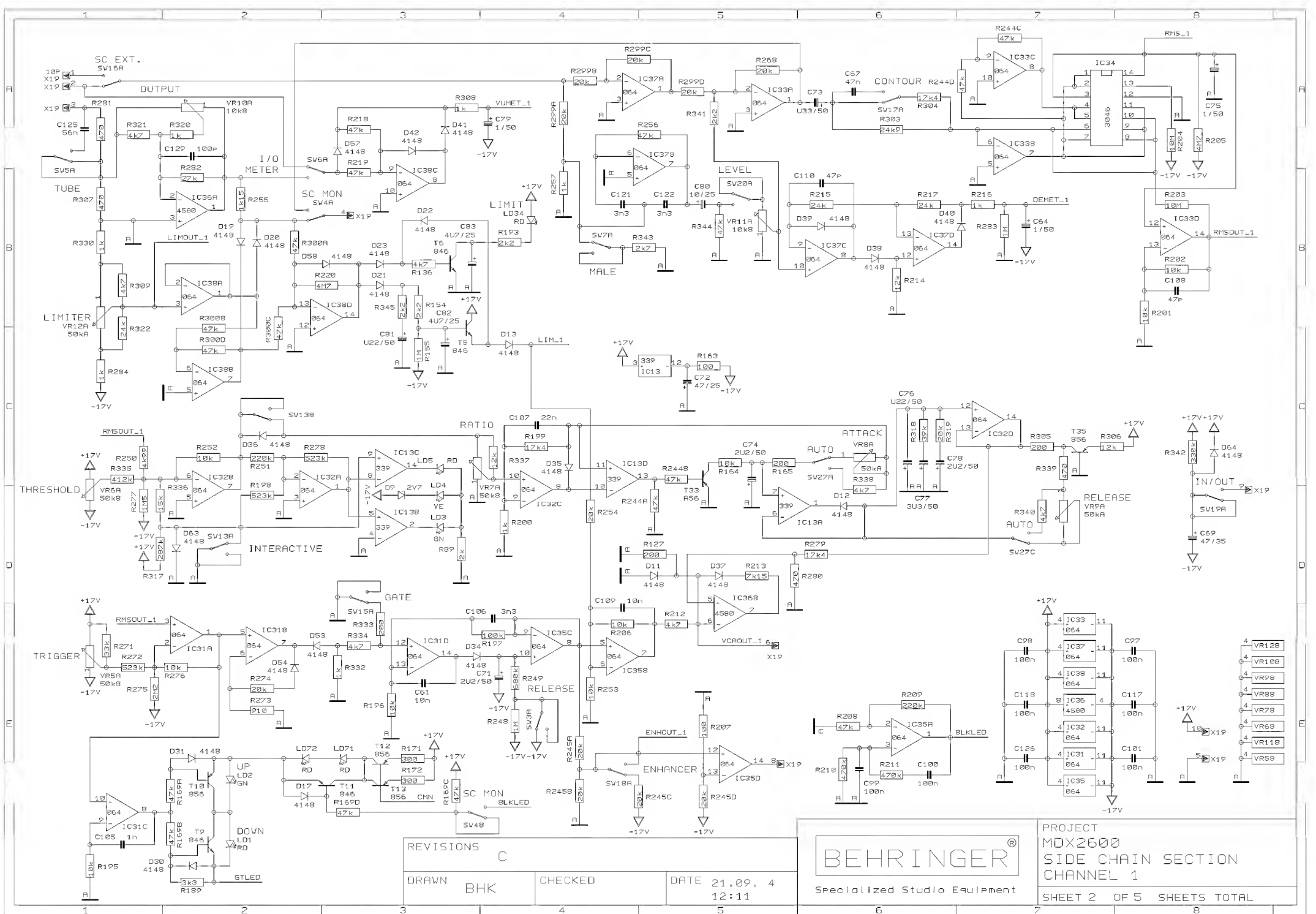
DRAWN BHK

CHECKED

DATE 21.09. 4
12:11



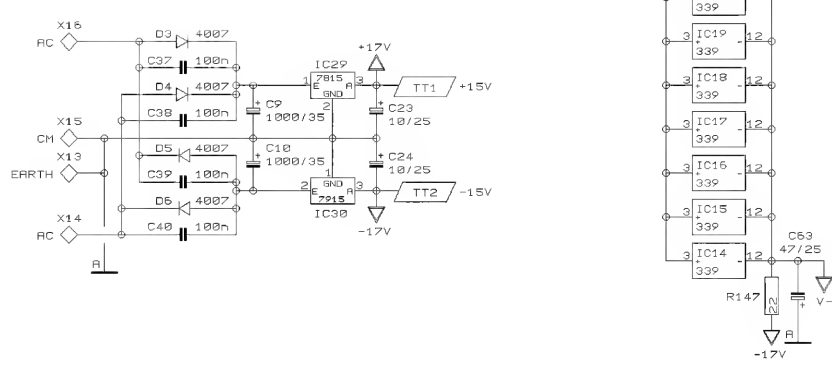
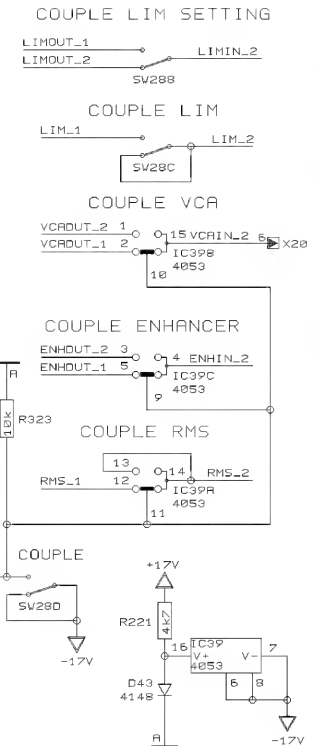
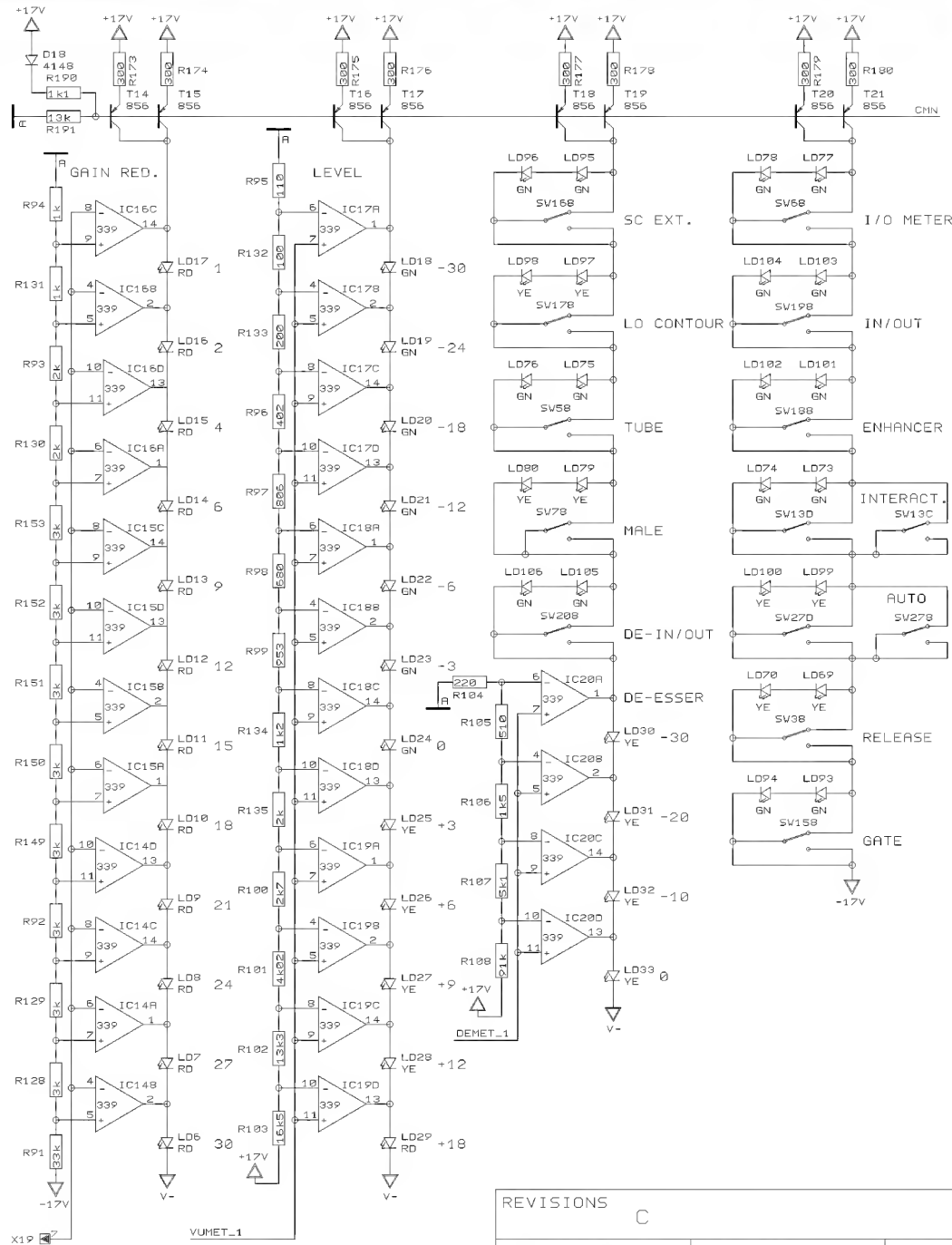
PROJECT MDX2600
INPUT/OUTPUT SECTION
CHANNEL 1&2
SHEET 1 OF 5 SHEETS TOTAL



REVISIONS		C	
DRAWN	BHK	CHECKED	
DATE		21.09. 4	
		12:11	



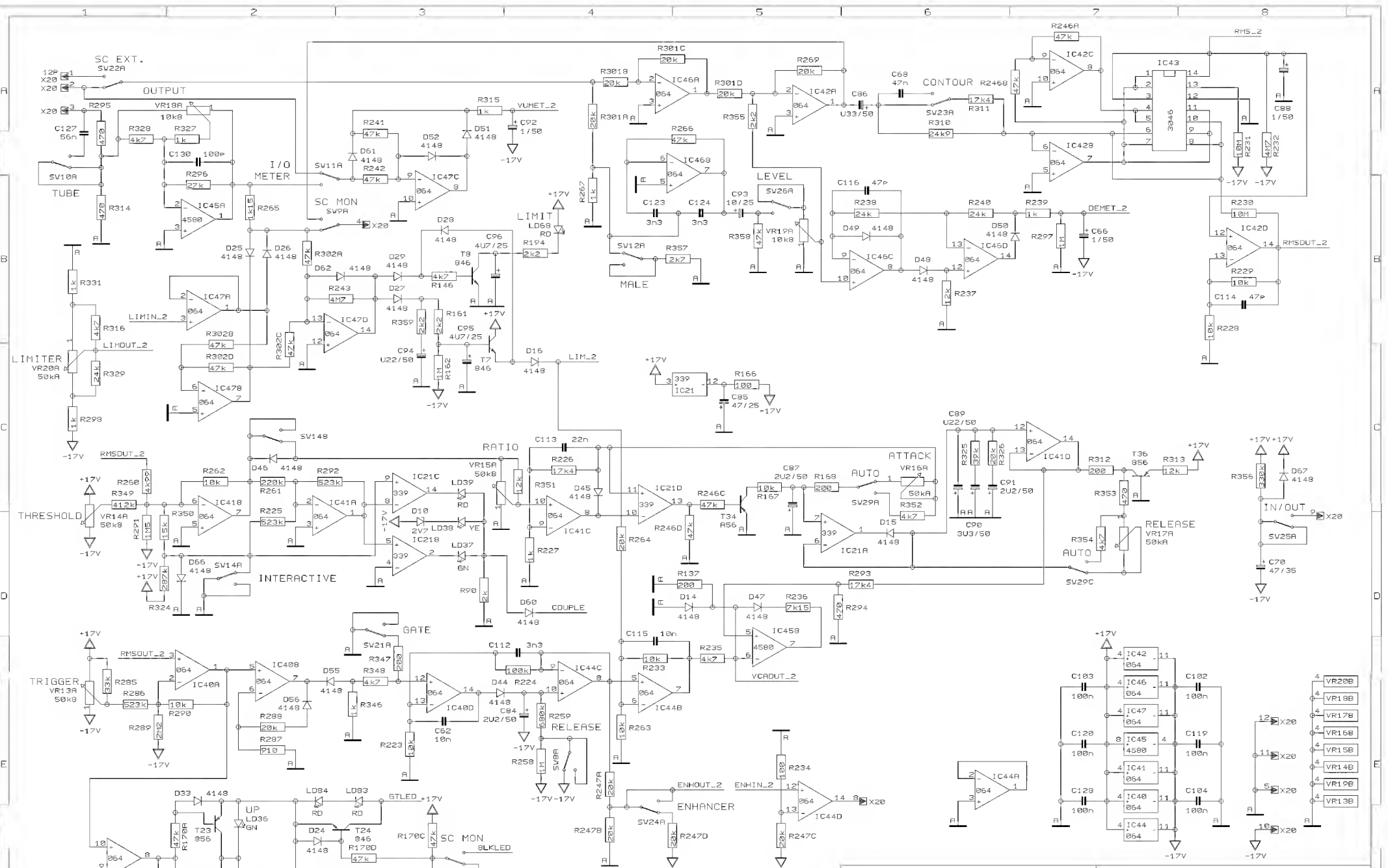
PROJECT
MDX2600
SIDE CHAIN SECTION
CHANNEL 1
SHEET 2 OF 5 SHEETS TOTAL



REVISIONS		C	
DRAWN	BHK	CHECKED	
DATE		21.09. 4	
		12:11	



PROJECT
MDX2600
DISPLAY SECTION
CHANNEL 1
SHEET 3 OF 5 SHEETS TOTAL



REVISIONS

C

DRAWN BHK

CHECKED

DATE 21.09. 4

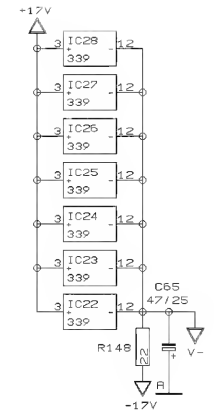
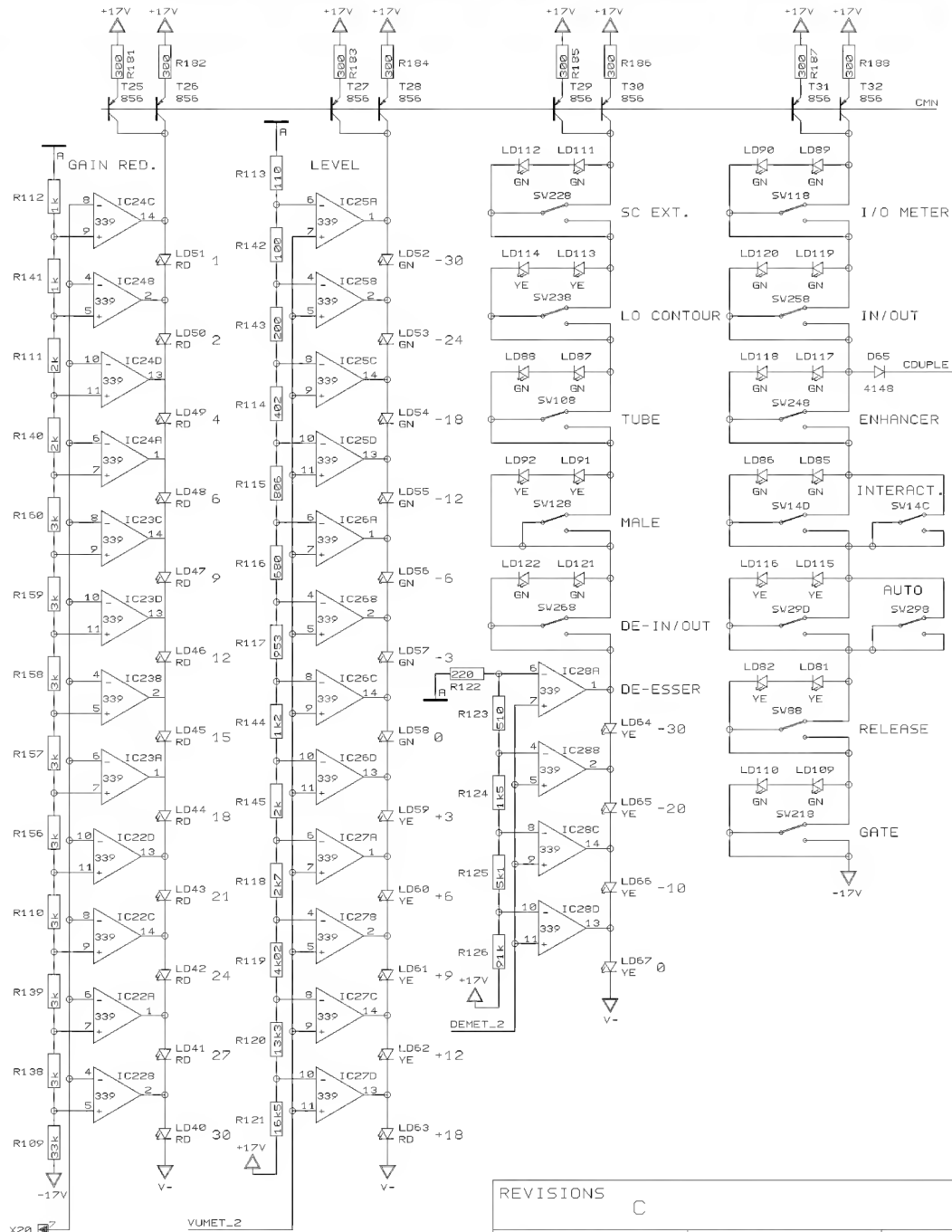
12:11

BEHRINGER®

Specialized Studio Equipment

PROJECT
MDX2600
SIDE CHAIN SECTION
CHANNEL 2

SHEET 4 OF 5 SHEETS TOTAL



REVISIONS		C	
DRAWN	BHK	CHECKED	DATE 21.09. 4 12:11

BEHRINGER®
Specialized Studio Equipment

PROJECT
MDX2600
DISPLAY SECTION
CHANNEL 2
SHEET 5 OF 5 SHEETS TOTAL