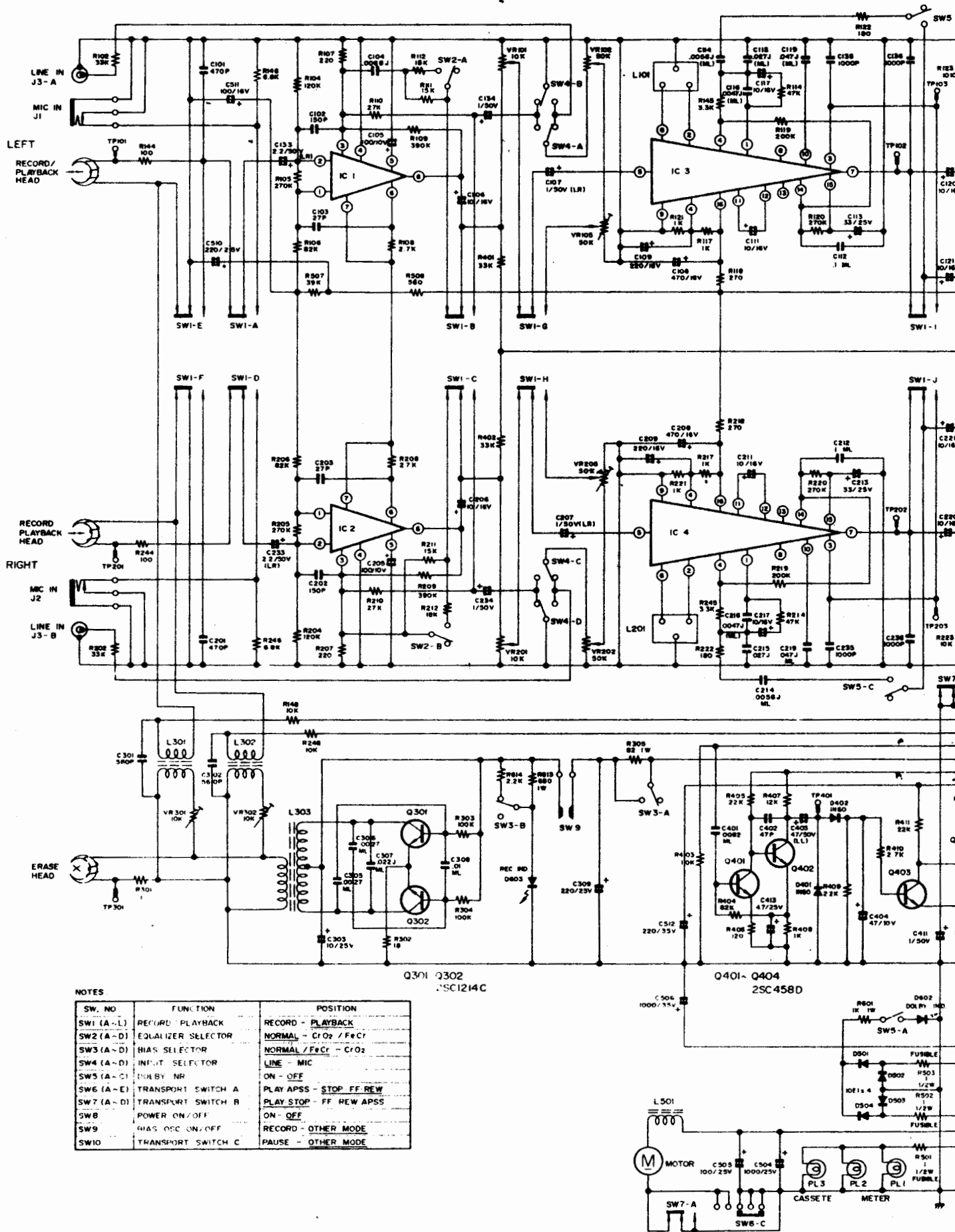


Q409, Q410 2SD458D
 Q501 2SC1162WB
 Q601, Q602 2SC458B

Q405 2SA673C
 Q406 2SC1162WC
 Q407 2SC458D
 Q408 2SC458D

Q411 2SC458D
 Q603, Q604 2SC458C
 Q605 2SC1213D

MODEL RT-1157, RT-



● Specifications or wiring diagrams of this model are subject to change for the improvement without prior notice.