

The home of the turntable

THE VINYL ENGINE®

For more turntable manuals and setup information
please visit www.vinylengine.com

Service Manual

Direct drive automatic Turntable System

SL-1700 (M, MC)



Specifications

Specifications are subject to change without notice for further improvement.
Weights and dimensions shown are approximate.

Turntable section

Type	Direct Drive Automatic Turntable System Automatic return Automatic shut-off
Drive method	Direct Drive
Motor	Back Electromotive Force Frequency Generator servo DC motor employing one chip IC
Turntable platter	Aluminum die-cast, 33cm (13")
Turntable speeds	33-1/3 and 45 r.p.m.
Pitch controls	Individual adjustment controls, 10% adjustment range
Wow and flutter	0.025% W.R.M.S. (JIS C5521) ±0.035% Weighted zero to peak (DIN 45507)
Rumble	-50 dB (DIN 45539A) -73 dB (DIN 45539B)

Tonearm section

Type	Universal tubular arm, staticbalanced type
Effective length	230 mm (9-1/16")
Overhang	15 mm (19/32")

Friction	7 mg (horizontally and vertically)
Effective mass	22 g (6.0 g cartridge weight 1.75 g stylus pressure)
Tracking error angle	Within +3° } at the point of 145 mm (5-45/64" from the center
	Within +1° } at the point of 55 mm (2-3/16" from the center
Offset angle	21.5°
Adjustable stylus pressure range	0 to 3 g (stylus pressure direct reading type)
Cartridge weight range	5 to 11 g
Head shell weight	9.5 g

General

Power supply	AC 120 V 50/60 Hz
Power consumption	6 W
Dimensions (H x W x D)	12.5 x 45.3 x 36.9 cm (4-15/16 x 17-12/16 x 14-9/16 inches)
Weight	8.8 kg (19.4 lbs.)

Technics
by Panasonic

Panasonic Company
Division of Matsushita Electric Corporation of America
One Panasonic Way, Secaucus, New Jersey 07094

Matsushita Electric of Hawaii, Inc.
320 Waiakamilo Road, Honolulu, Hawaii 96817

Matsushita Electric of Canada Ltd.
40 Ronson Drive, Rexdale, Ontario, Canada M9W 1B5

■ Parts identification

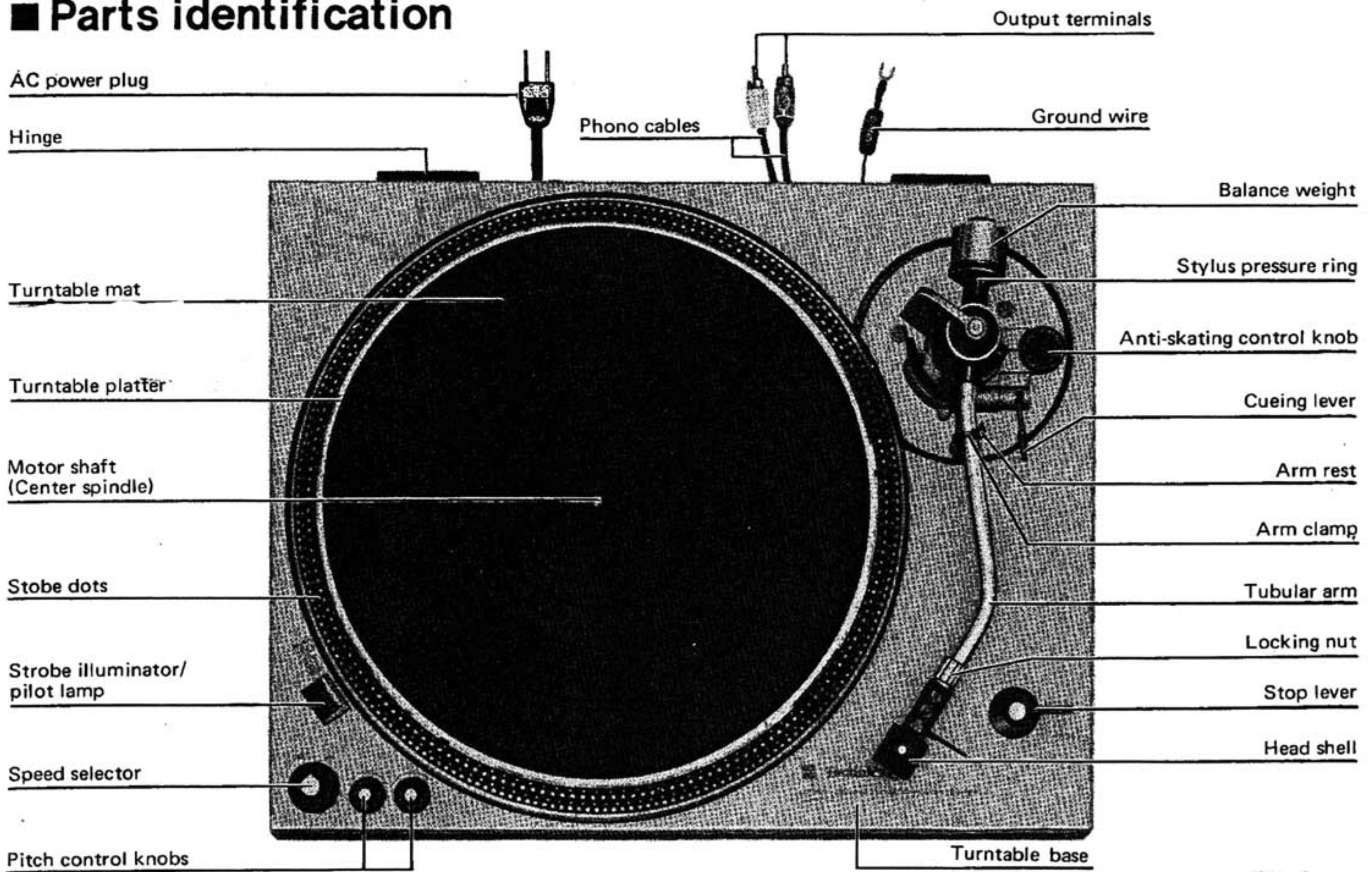


Fig. 1

■ Assembly and set-up

Apply two or three drops of oil to the motor shaft using the furnished oil container. (See Fig. 2)

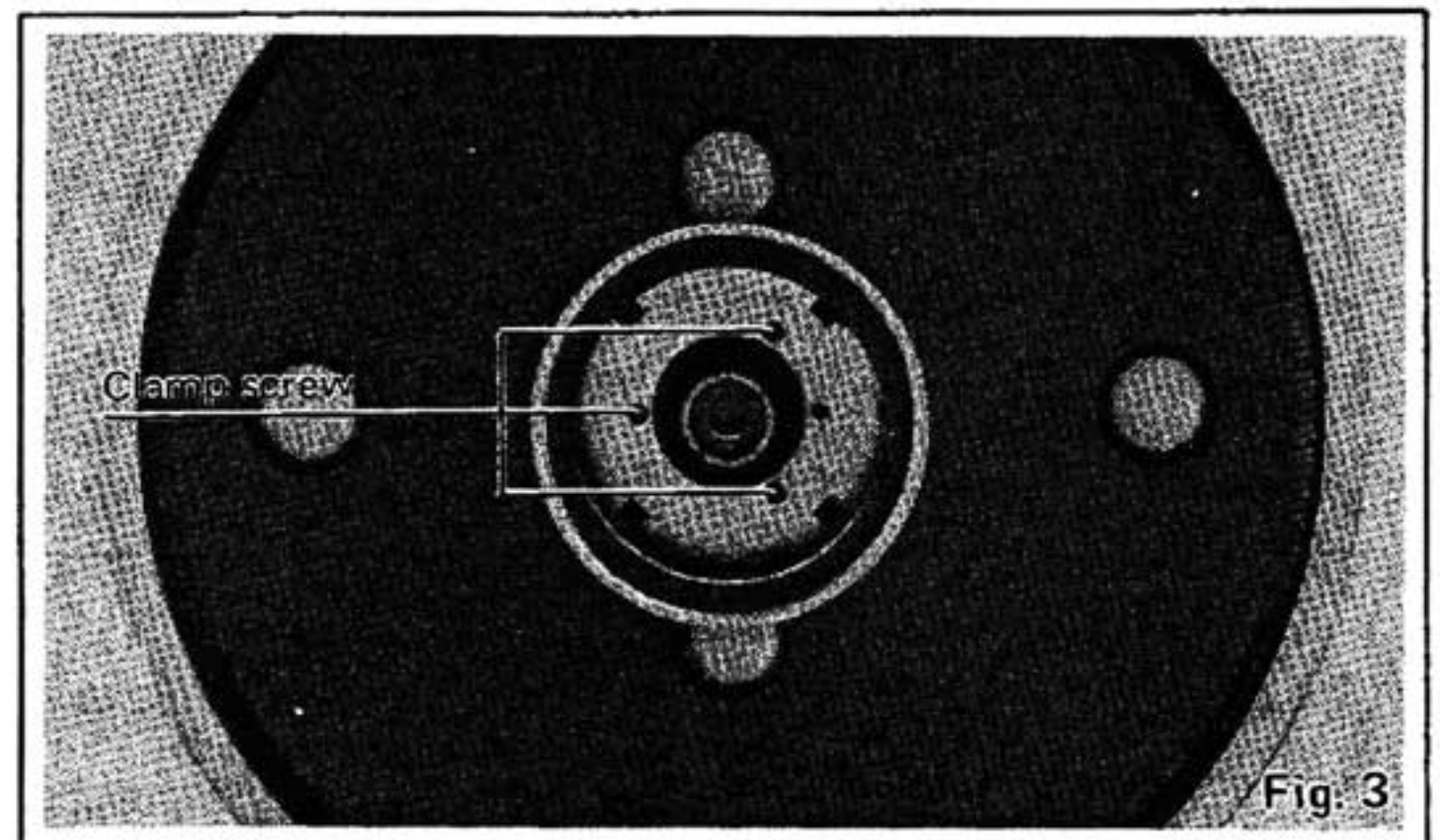
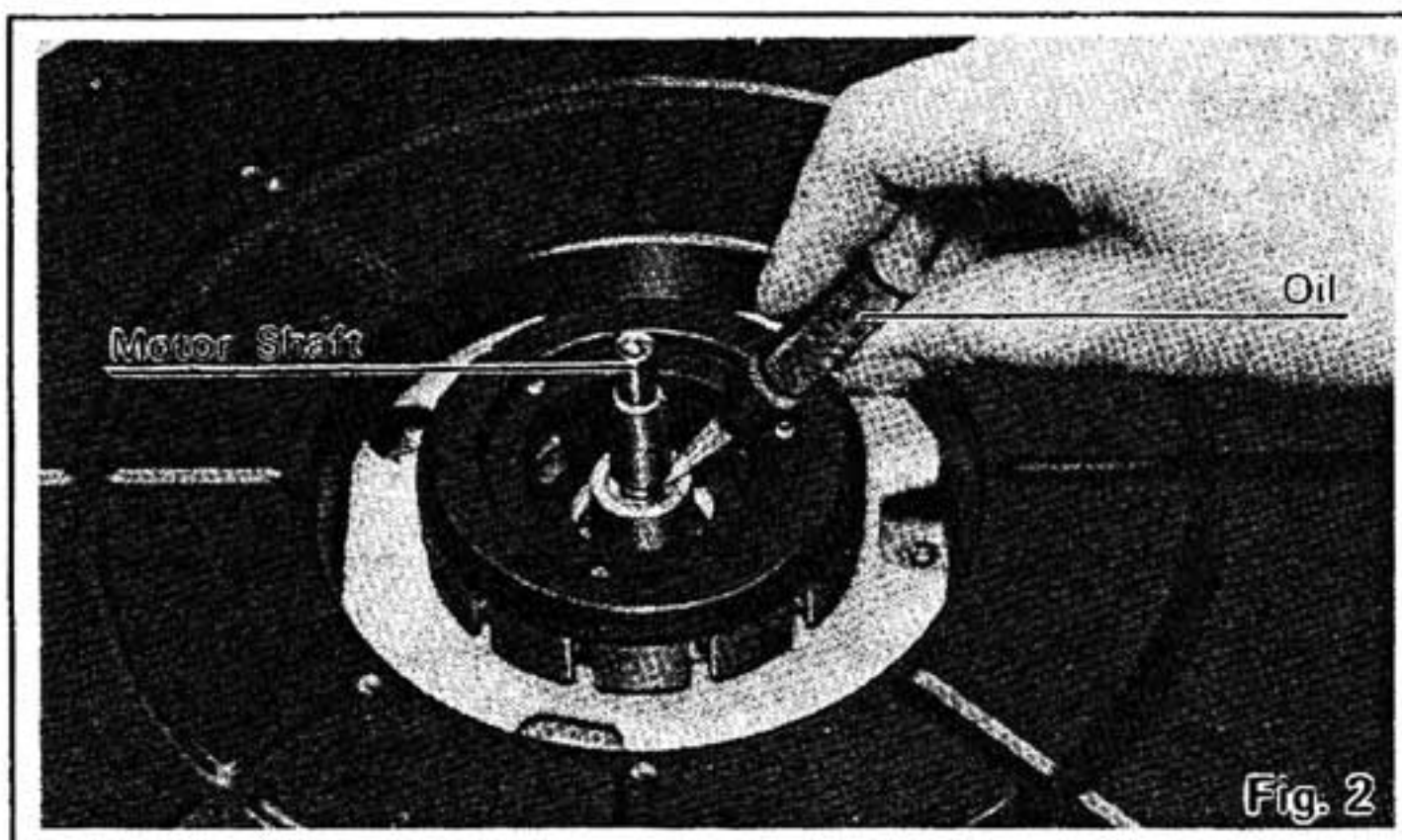
Although the unit has been lubricated before shipping from the factory, apply a few drops of oil to the motor shaft for assurance. After that, application of two or three drops of oil once every 2000 hours' operation or so is sufficient. The time interval is much longer than that of the former type motors (200 - 500 hours), so do not apply too much oil, nor more frequently than necessary. Never use any other type of oil.

Installation of the turntable platter

1. Place the turntable platter on the motor shaft (center spindle).
2. Place the turntable mat on the platter.

Note:

- 1) The rotor is connected to the reverse surface of the turntable platter. (The magnet of the motor is attached to the turntable platter.) To maintain optimum performance as specified, extra care should be taken to prevent adhesion of dust or iron filings to the magnet and not to damage the magnet by dropping it.
- 2) Do not remove the three screws for securing the magnet. (See Fig. 3)
Should the position of the fixed magnet be altered by loosening the securing screws, the rated performance of the unit can not be guaranteed.



■ Adjustments

Adjustment of the arm lift height (See Figs. 4 and 5)

The arm lift height (distance between the stylus tip and record surface when cueing lever is raised) has been adjusted at the factory before shipping to approximately 5 to 10 mm (3/16" to 25/64").

If the clearance becomes too narrow or too wide because of the physical size of the different cartridges on the market turn the adjustment screw clockwise or counterclockwise, at the same time pushing the arm lift down.

Clockwise rotation

—distance between the record and stylus tip is reduced.

Counterclockwise rotation

—distance between the record and stylus tip increases.

Note:

As the adjusting screw has a hexagon head, be sure to make the adjustment while depressing the arm lift.

Adjustment of tonearm automatic return point (See Fig. 6)

In some cases, the tonearm will tend to return to its rest position before the record has finished playing. In other cases, it will not return to the rest position even after the record has finished. Rotation of this screw in the proper direction will correct either condition.

Clockwise rotation

The tonearm will return to its rest later.

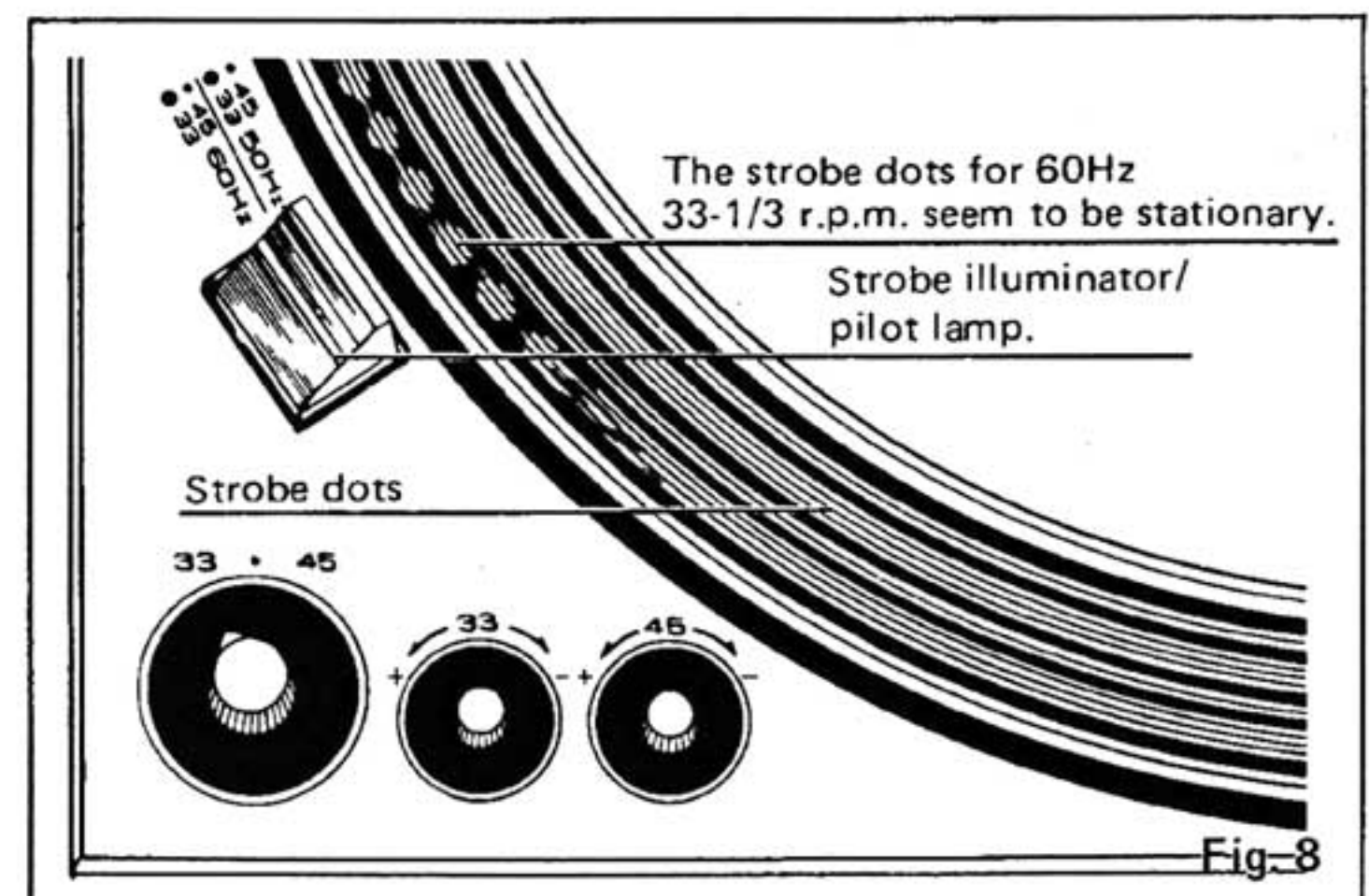
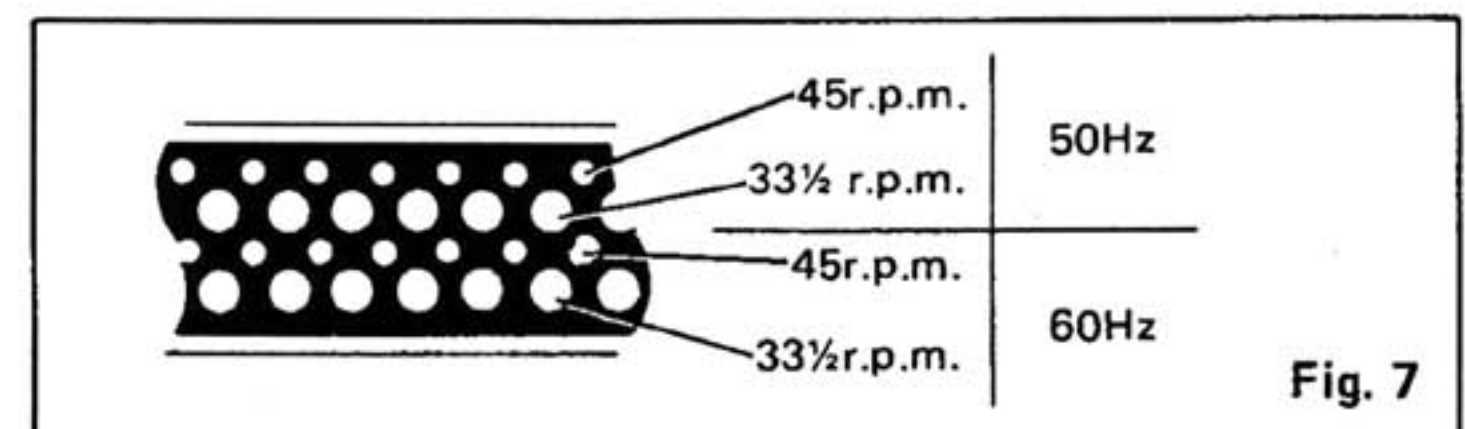
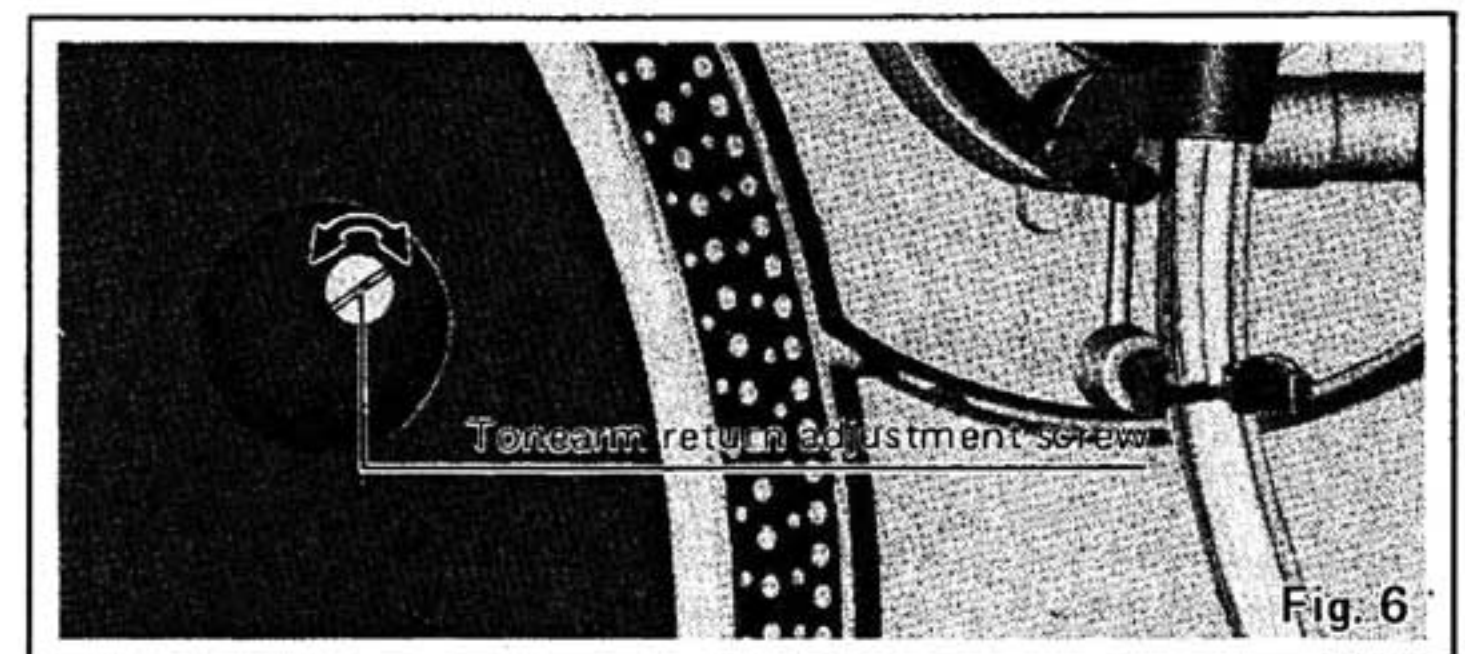
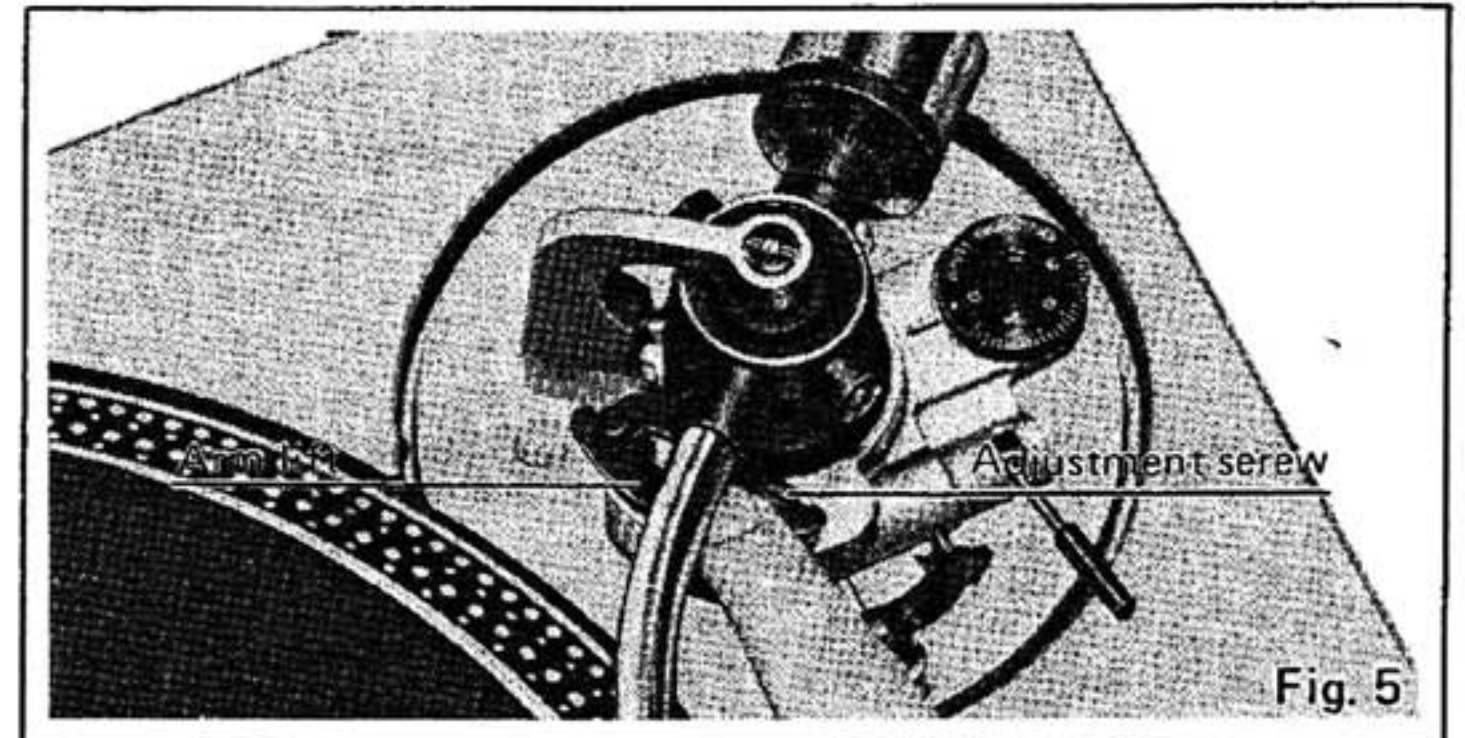
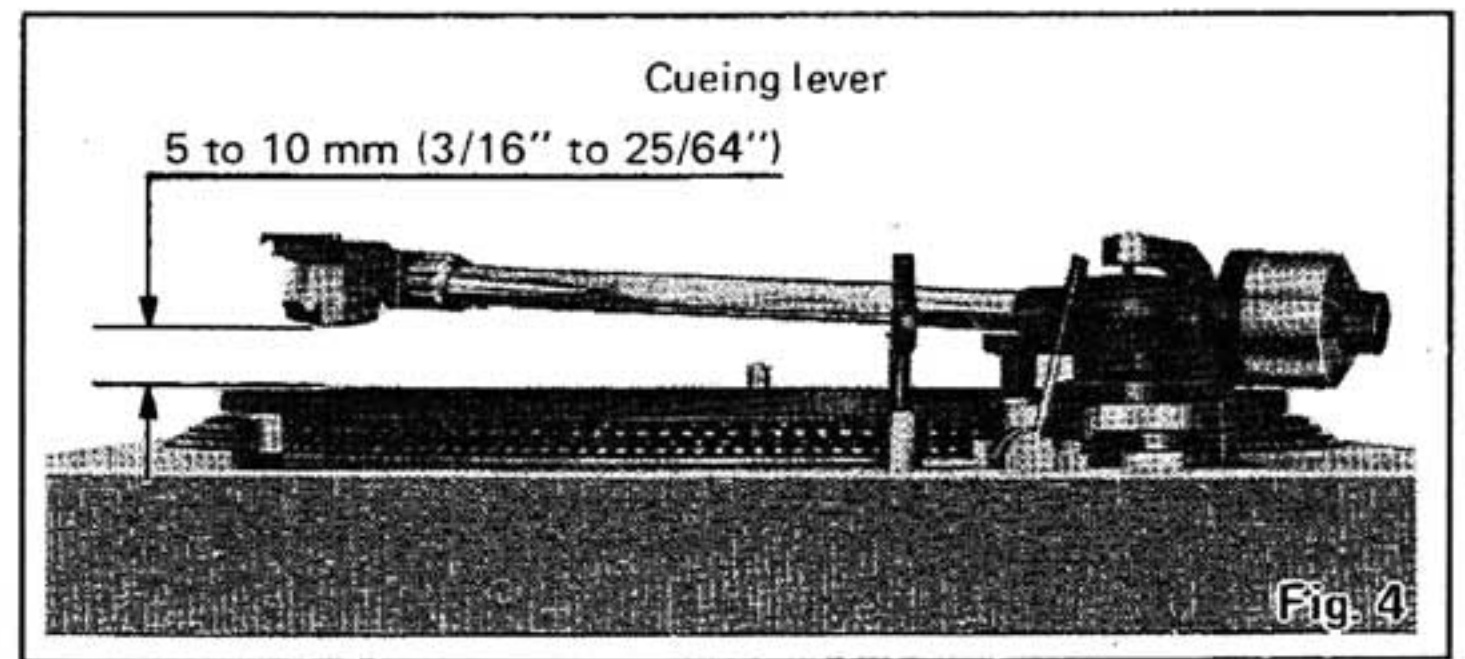
Counterclockwise rotation

The tonearm will return to its rest earlier.

Speed adjustment (with pitch control knobs) (See Figs. 7, 8 and 9)

Strobe dots are set on the tapered rim of the turntable platter according to the power frequency and the number of revolutions of the records. Make adjustment, referring to strobe dot indication. (See Fig. 7)

1. Set the speed selector to the number of revolutions to be adjusted. (See Fig. 8)
2. Release the arm clamp and raise the cueing lever.
3. Move the tonearm to a slight extent towards the turntable platter.
The strobe illuminator/pilot lamp will be lit for illuminating the strobe dots.
4. While turning the pitch control knobs either to "+" side or "-" side, adjust to such an extent that the strobe dots of the turntable look as if they were stationary.
The state under which the strobe dots seem to be stationary represents the correct number of revolutions.



"+" direction

This increases the speed of the turntable rotation, and the strobe dot pattern seems to flow in the same direction as the rotational direction of the turntable platter.

"-" direction

This decreases the speed of the turntable rotation, resulting in a state opposite to that in the "+" direction.

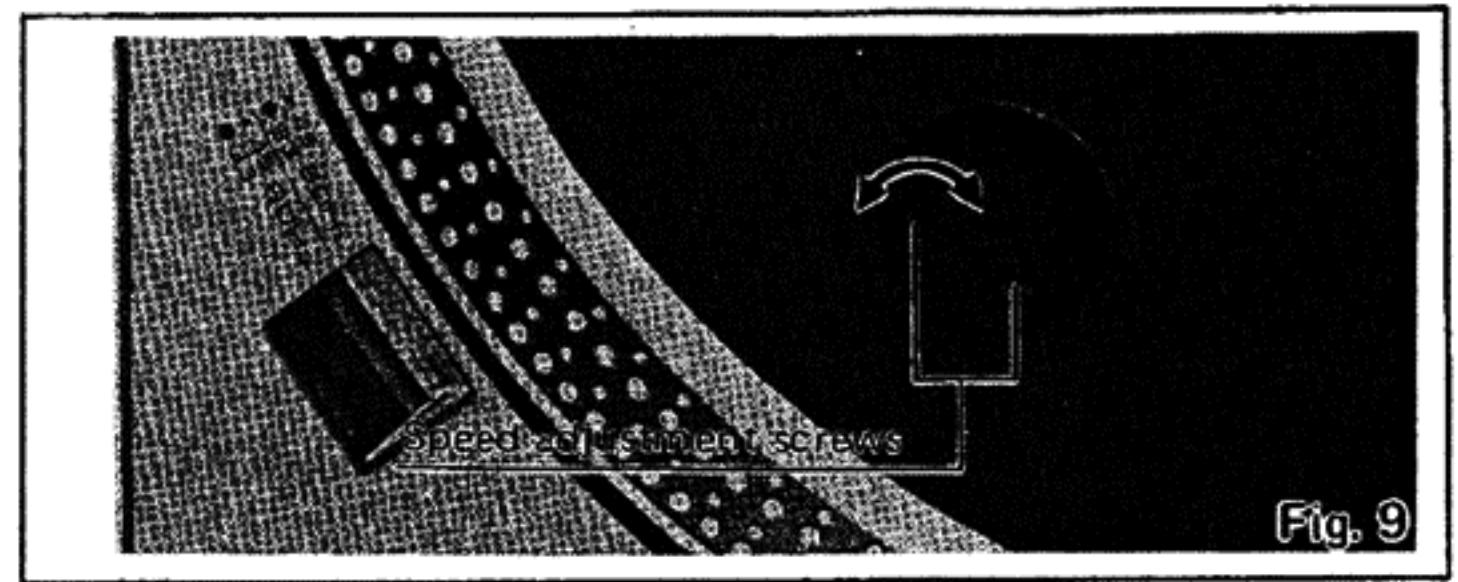
Note:

Strobe dot pattern.

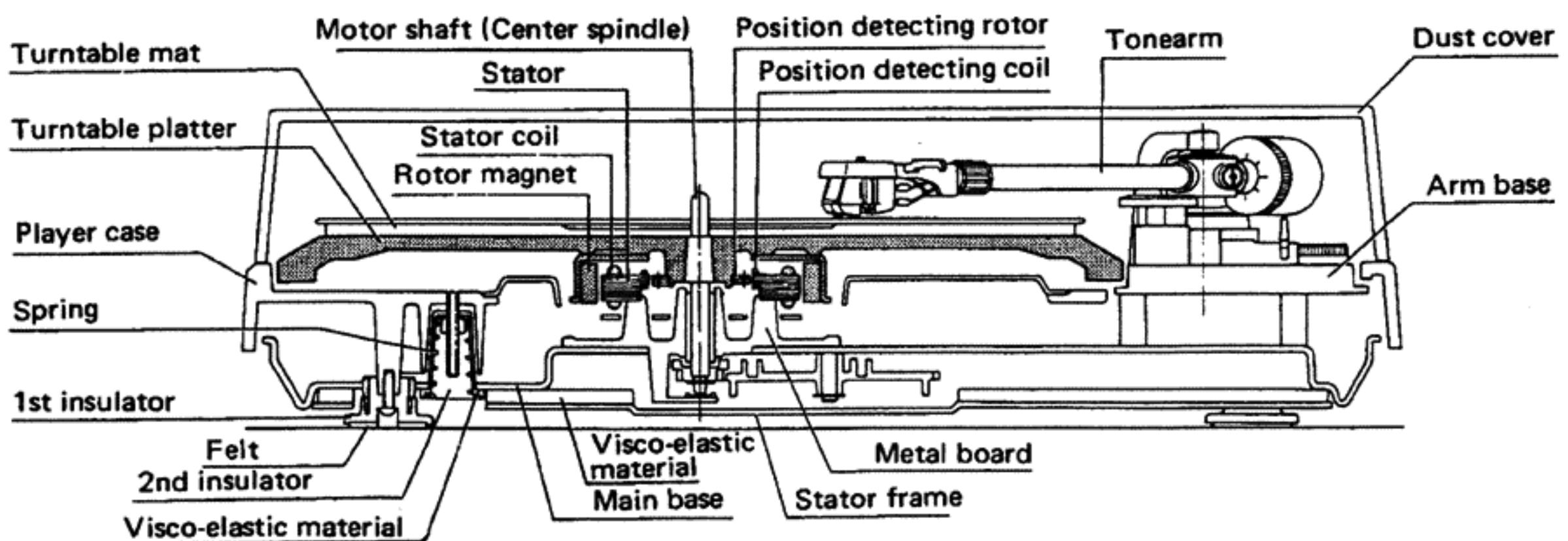
The strobe illuminator/pilot lamp of this unit employs the commercially available power source. The frequency of such power source, when actually measured, has a fluctuation of about 0.2%. As such a fluctuation of the power source affects the strobe illuminator, the strobe dot pattern also seems to fluctuate to a certain extent.

But the unit is not affected by the fluctuations of the power source, since a D.C. motor is employed.

If the desired speed can not be obtained by the variable pitch controls, turn the speed adjusting screws with a screw driver for further adjustments. (See Fig. 9)



■ Cross section of motor portion and double insulator



■ Operation principles of the SL-1700

This unit, like the SL 1300 has a rational motor structure, and its drive control circuit is the B.F.G. type (Back TECHNICAL EXPLANATION electromotive force frequency generator) which is constructed on a single integrated circuit (IC) chip (AN630). The following is a block diagram of the IC (AN630) for which the operating principle will be briefly explained.

■ Operating principle

The back electromotive force, which is generated by the drive coil winding according to the rotation of the motor, is detected and converted to a frequency signal that is proportional to the number of revolutions.

Conversion is performed by a wave-shaping circuit and a logic circuit (This is referred to as the B.F.G. method). This frequency signal is compared with a standard signal by means of a frequency-voltage conversion circuit which converts it to a voltage signal in order maintain a constant number of revolutions. After removing unnecessary

frequency components, with the operational-amplifier active filter, from this voltage signal, it controls the current flow in three differential switching circuits. As a result, the flow of current in the drive coil winding is always constant maintaining the correct rotational speed. Control of the rotational speed can be performed by means of adjusting the standard signal generator circuit according to the rotational speed adjustment circuit.

■ Explanation of each part

1. B.F.G. METHOD (BACK ELECTROMOTIVE FORCE FREQUENCY GENERATOR)

Making use of the back electromotive force that is generated in the drive coil winding of the motor as a frequency generator, the frequency of the frequency generator is converted to the number of revolutions for the turntable.

After shaping the wave form of this back electromotive force, it is composed logically, and a frequency is generated that is proportional to the number of revolutions. This is the use of the B.F.G. Making use of the drive coil winding, frequency generator coil windings and magnets are not necessary, yielding a motor structure that is very compact.

2. FREQUENCY-VOLTAGE CONVERSION CIRCUIT

Being composed of a trapezoidal wave generating circuit, a pulse generating circuit and a sampling integration circuit, the B.F.G. output frequency is converted to a voltage, and control output voltage is generated in order to maintain the rotational speed of the turntable at a constant level.

3. OPERATION CONTROL CIRCUIT

The operation control circuit functions as a control output voltage control keeping the rotational speed of the turntable constant with regard to the start of turntable operation and the operation of the mechanism. With this circuit, transient response characteristics and starting characteristics are very good.

4. OPERATIONAL AMPLIFIER (OP AMP) ACTIVE FILTER

Because of using an operational amplifier in the active filter, an ideal filter operation is possible.

As a result, such high performance as a signal-to-noise (SN) ratio of 60 dB (IEC-B) and a wow-and-flutter level of 0.03% (WRMS) have been achieved.

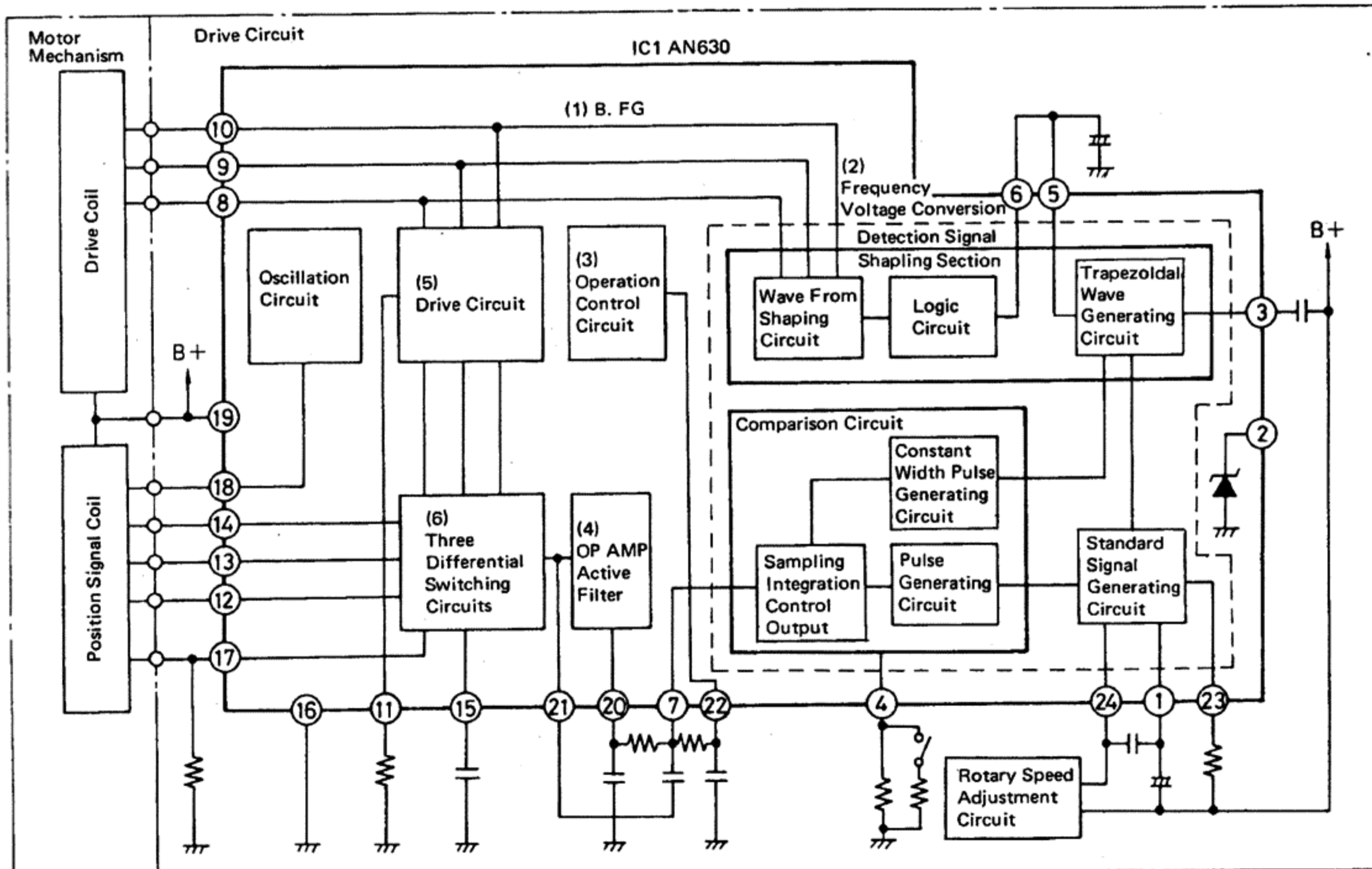
5. DRIVE CIRCUIT

By incorporating a large capacity power transistor in the integrated circuit, a starting torque of 1 kg-cm can be obtained. By means of this large starting torque, prompt starts have been realized.

6. THREE DIFFERENTIAL SWITCHING CIRCUITS

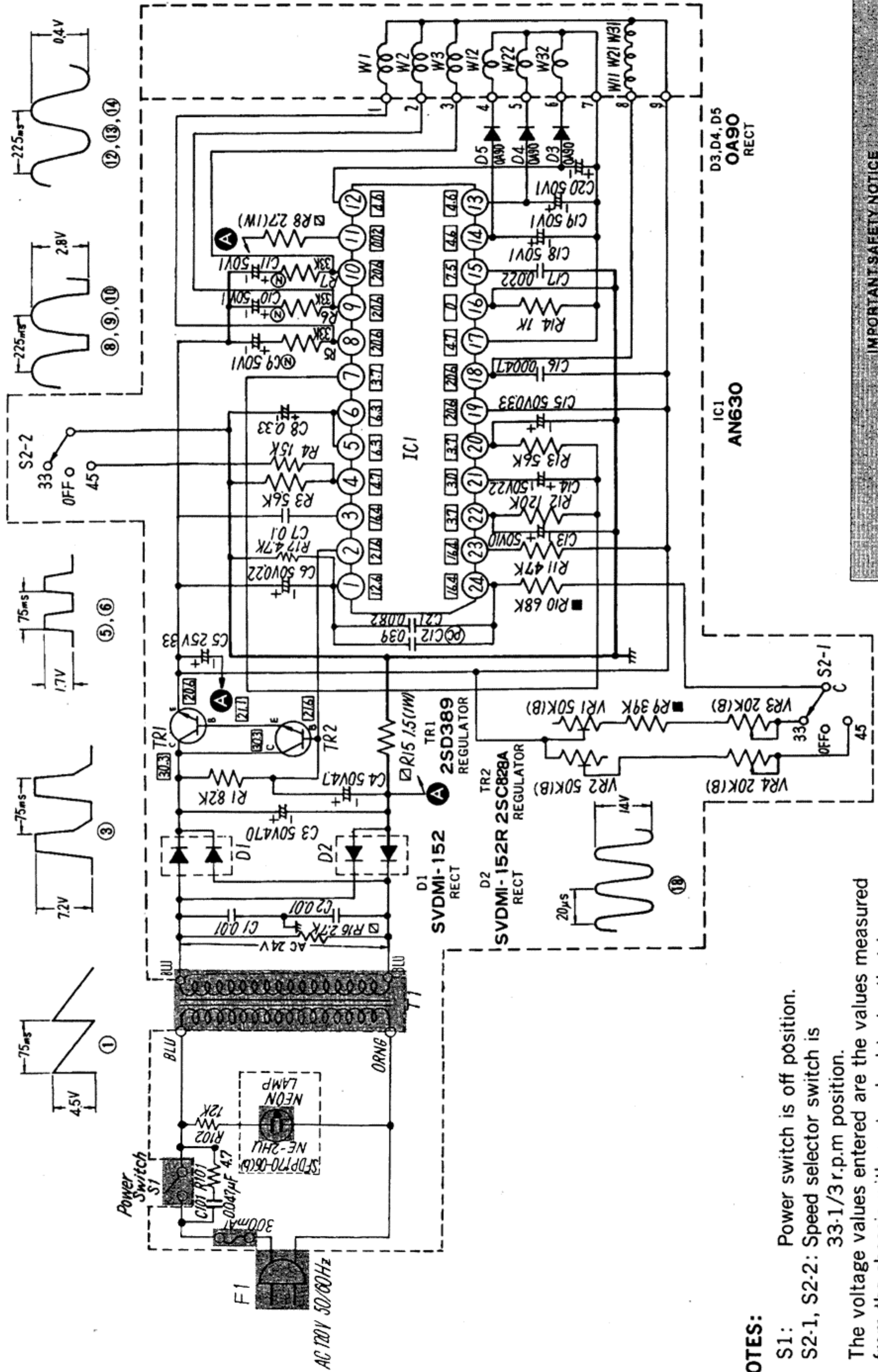
By means of the signal from the position signal coil, the starting circuit power transistor selector operates, obtaining smooth rotation.

■ Block diagram



Schematic Diagram

(This schematic diagram may be modified at any time with the development of new technology)



IMPORTANT SAFETY NOTICE
 THE SHADED AREA ON THIS SCHEMATIC DIAGRAM INCORPORATES SPECIAL FEATURES IMPORTANT FOR SAFETY WHEN SERVICING IT IS ESSENTIAL THAT ONLY MANUFACTURER'S SPECIFIED PARTS BE USED FOR THE CRITICAL COMPONENTS IN THE SHADED AREAS OF THE SCHEMATIC.

NOTES:

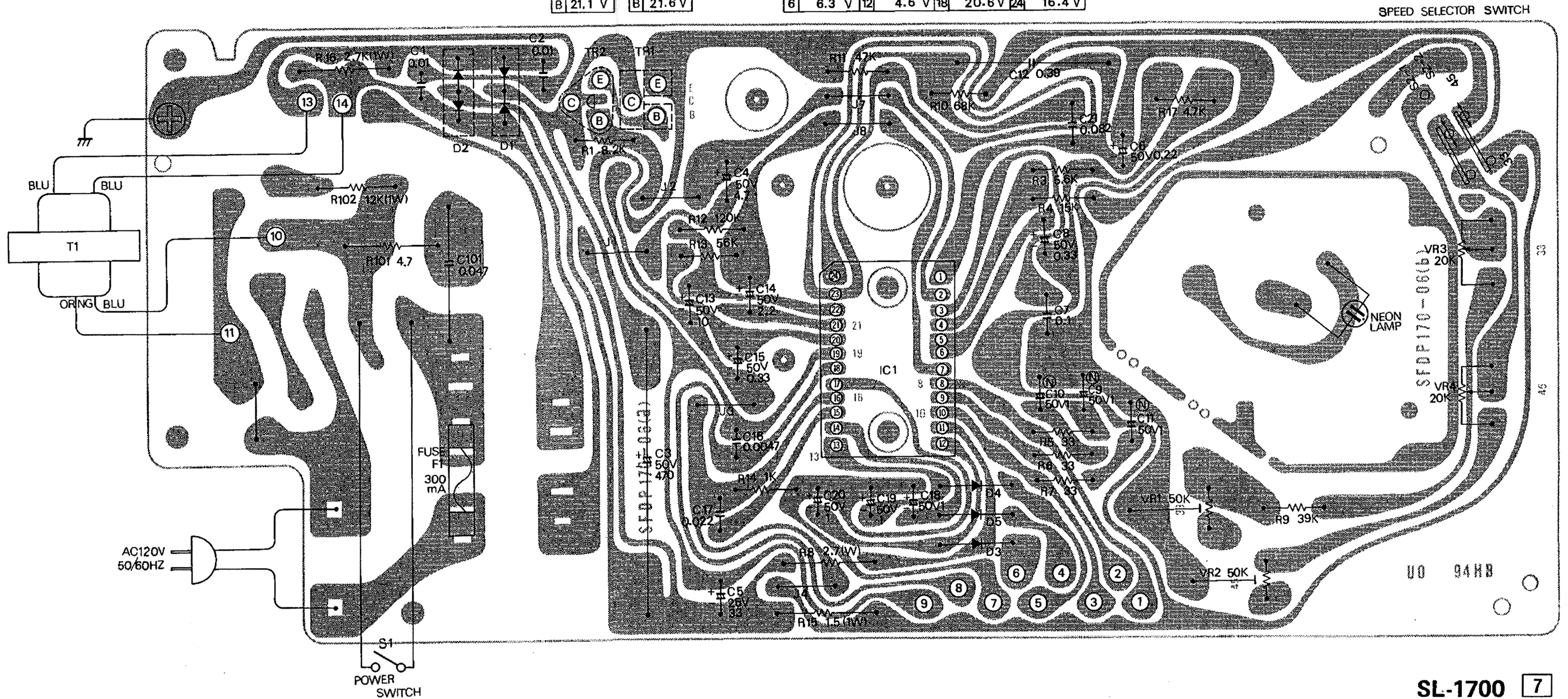
1. S1: Power switch is off position.
2. S2-1, S2-2: Speed selector switch is 33-1/3 r.p.m position.
3. The voltage values entered are the values measured from the chassis with a standard tester that has an internal resistance of 100 KΩ/V at a rotational speed of 33-1/3 r.p.m.

■ Circuit Board Wiring View

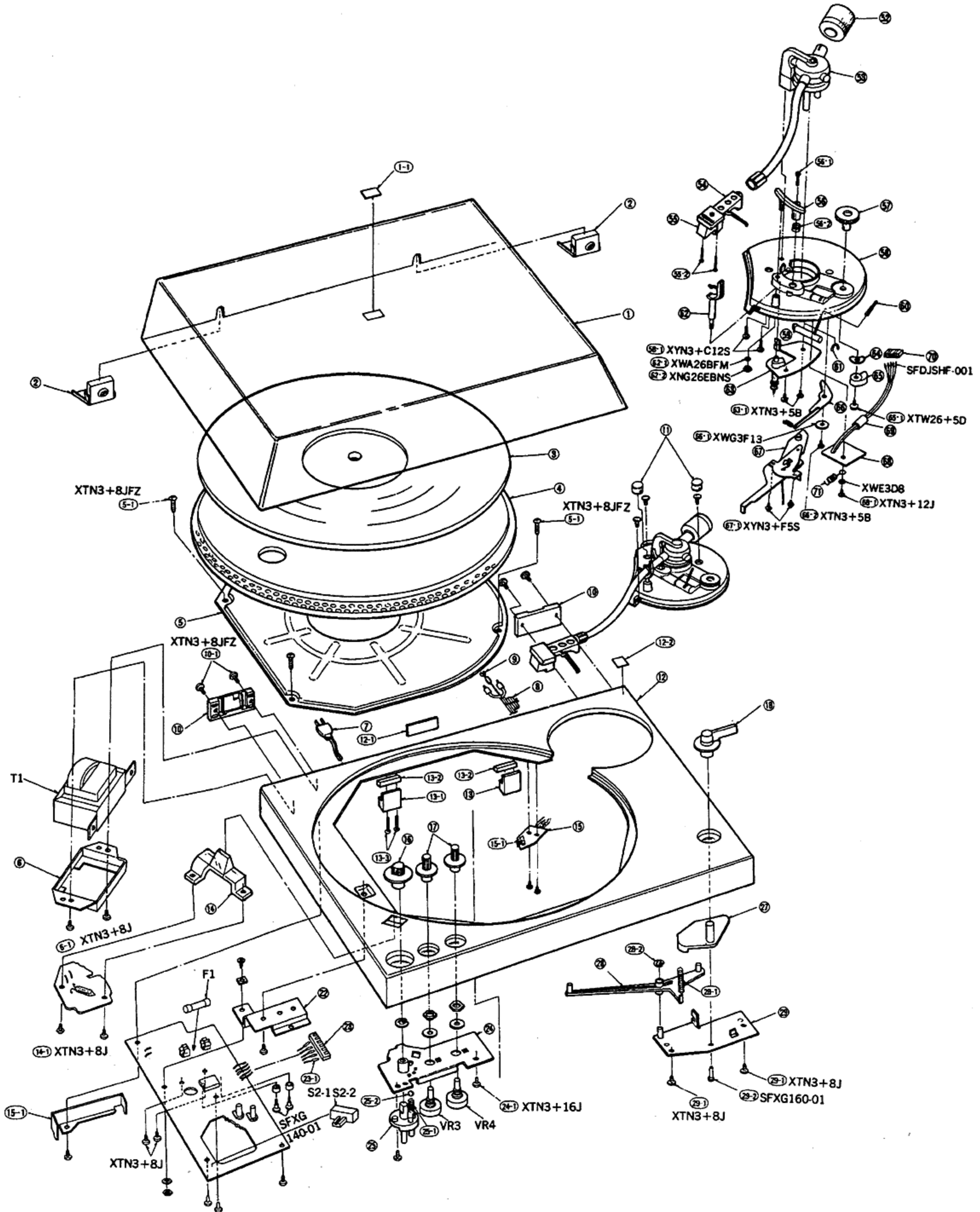
TR1 2SD389		TR2 2SC828	
E	20.6V	E	21.1V
C	30.3V	C	30.3V
B	21.1V	B	21.6V

IC1 AN630

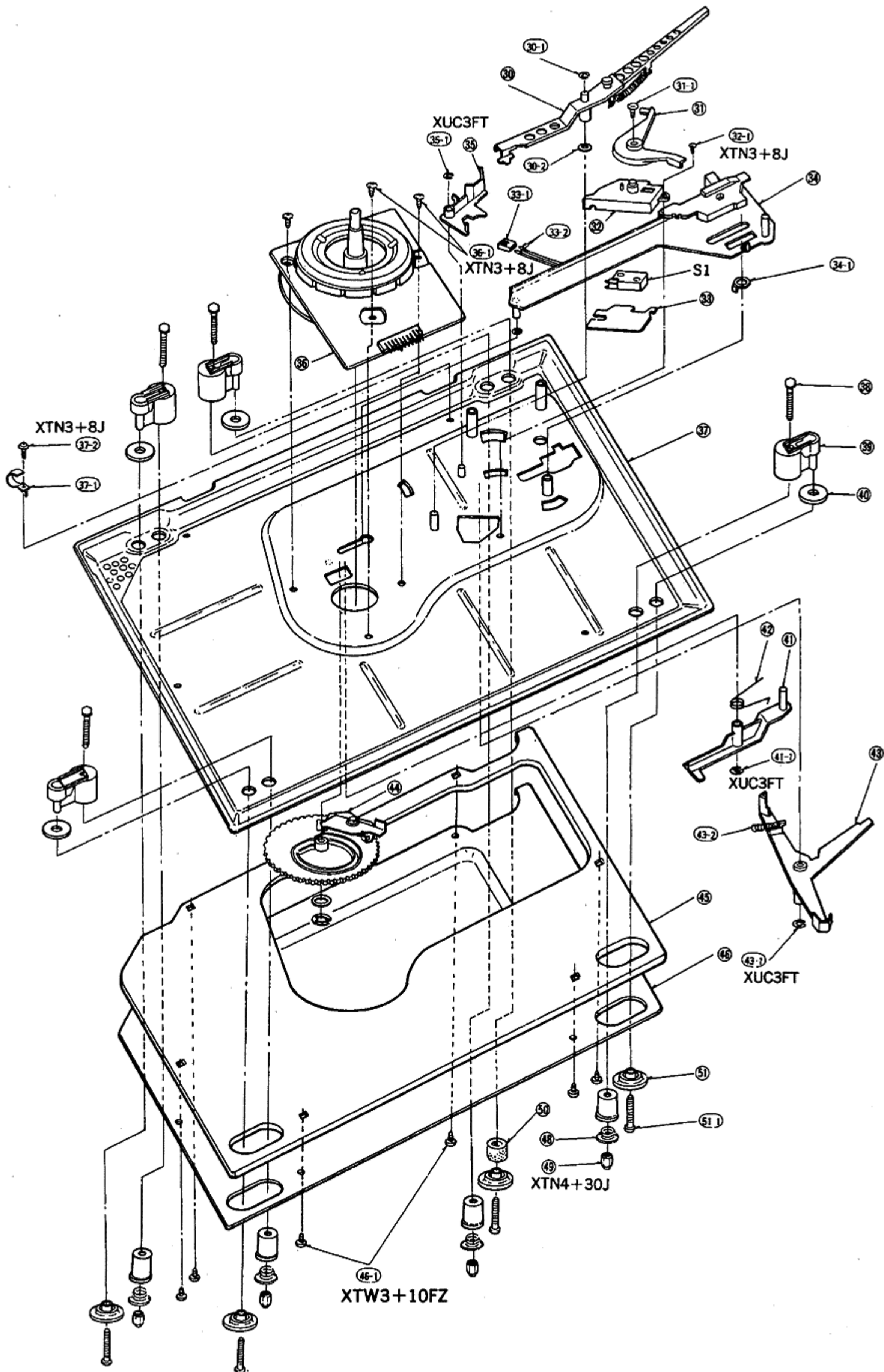
1	12.6 V	7	3.7 V	13	4.6 V	19	20.6 V
2	21.6 V	8	20.6 V	14	4.6 V	20	3.7 V
3	16.4 V	9	20.6 V	15	7.5 V	21	3 V
4	4.7 V	10	20.6 V	16	0 V	22	3.7 V
5	6.3 V	11	0.06 V	17	4.7 V	23	16.4 V
6	6.3 V	12	4.6 V	18	20.6 V	24	16.4 V



EXPLODED VIEW OF TURNTABLE



■ EXPLODED VIEW OF TURNTABLE



REPLACEMENT PARTS LIST

Important Safety Notice

Components identified by shaded area have special characteristics important for safety. When replacing any of these components use only manufacturer's specified parts.

NOTE: 1. Part numbers are indicated on most mechanical parts.
Please use this part number for parts orders.

Ref. No.	Part No.	Part Name & Description	Per Set	Remarks
INTEGRATED CIRCUIT				
IC1	AN630	Integrated Circuit	1	
TRANSISTORS				
TR1	2SD389A-Q	Transistor	1	
TR2	2SC1328-T	Transistor	1	
DIODES				
D1	RVD10DC2	Diode	1	
D2	RVD10DC2R	Diode	1	
D3, 4, 5	OA90	Diode	3	
TRANSFORMER				
T1	SLT48PU9B	Power Transformer	1	Ⓞ
FUSE				
F1	XBA2F03NU100	0.3A (Fuse)	1	
VARIABLE RESISTORS				
VR1, 2	EVLV3AS15B54	50K Ω , Pitch controls	2	
VR3, 4	EVHGMAF15B24	20K Ω , Speed adjustment	2	
SWITCHES				
S1	SFDSAHT6603	Micro Switch, Power	1	
S2-1, S2-2	SFDS160-02	Speed selector Switch	1	
RESISTORS				
R1	ERD25TJ822	8.2K Ω , 1/4W, \pm 5%, Carbon	1	
R3	ERD25TJ562	5.6K Ω , 1/4W, \pm 5%, Carbon	1	
R4	ERD25TJ153	15K Ω , 1/4W, \pm 5%, Carbon	1	
R5, 6, 7	ERD25TJ330	33 Ω , 1/4W, \pm 5%, Carbon	3	
R8	ERX1ANJ2R7	2.7 Ω , 1W, \pm 5%, Metallic	1	
R9	ERO25CKF3902	39K Ω , 1/4W, \pm 1%, Metallic	1	
R10	ERO25CKF6202	68K Ω , 1/4W, \pm 1%, Metallic	1	
R11	ERD25TJ473	47K Ω , 1/4W, \pm 5%, Carbon	1	
R12	ERD25TJ124	120K Ω , 1/4W, \pm 5%, Carbon	1	
R13	ERD25TJ563	56K Ω , 1/4W, \pm 5%, Carbon	1	
R14	ERD25TJ102	1K Ω , 1/4W, \pm 5%, Carbon	1	
R15	ERX1ANJ1R5	1.5 Ω , 1W, \pm 5%, Metallic	1	
R16	ERG1ANJ272	2.7K Ω , 1W, \pm 5%, Metallic	1	
R17	ERD25TJ472	4.7K Ω , 1/4W, \pm 5%, Carbon	1	
R101	ERD50TJ4R7	4.7 Ω , 1/2W, \pm 5%, Carbon	1	

Ref. No.	Part No.	Part Name & Description	Per Set	Remarks
R102	ERG1ANJ123	12K Ω , 1W, \pm 5%, Metallic	1	
CAPACITORS				
C1, 2	ECQM1H103KZ	0.01 μ F, 50WV, \pm 10%, Polyester	2	
C3	ECEB50V470	470 μ F, 50WV, -10~+50%, Electrolytic	1	
C4	ECEA50V4R7	4.7 μ F, 50WV, \pm 20%, Electrolytic	1	
C5	ECEA25V33	33 μ F, 25WV, -10~+50%, Electrolytic	1	
C6	ECEA50ZR22	0.22 μ F, 50WV, \pm 20%, Electrolytic	1	
C7	ECQM1H104KZ	0.1 μ F, 50WV, \pm 10%, Polyester	1	
C8	ECEA50ZR33	0.33 μ F, 50WV, \pm 10%, Electrolytic	1	
C9, 10, 11	ECEA50V1	1 μ F, 50WV, \pm 10%, Electrolytic	3	
C12	ECQC2394KN	0.39 μ F, 200V, \pm 10%, Polyester	1	
C13	ECEA50M10	10 μ F, 50WV, \pm 20%, Electrolytic	1	
C14	ECEA50M2R2R	2.2 μ F, 50WV, \pm 20%, Electrolytic	1	
C15	ECEA50MR33R	0.33 μ F, 50WV, \pm 20%, Electrolytic	1	
C16	ECQM1H472KZ	0.47 μ F, 50WV, \pm 10%, Polyester	1	
C17	ECQM1H223KZ	0.022 μ F, 50WV, \pm 10%, Polyester	1	
C18, 19, 20	ECEA50V1	1 μ F, 50WV, \pm 10%, Electrolytic	3	
C21	ECQM1H823KZ	0.082 μ F, 50WV, \pm 10%, Polyester	1	
C101 [M]	ECQF1A473MD	0.047 μ F, 125V, \pm 20%, Polyester	1	
C101 [MC]	ECQU1A473MC	0.047 μ F, 125V, \pm 20%, Polyester	1	
CABINET and CHASSIS PARTS				
1	SFAD170-01E	Dust cover	1	Ⓞ
1-1	SFKK110	Badge, Dust cover	1	
2	SFAT170-01A	Hinge	2	
3	SFTG170M01	Turntable mat, set for [M]	1	Ⓞ
3-1	SFTG170-01	Turntable mat, set for [MC]	1	Ⓞ
4	SFTE170-01A	Turntable	1	Ⓞ
5	SFAU170-03	Cover, Panel case	1	Ⓞ
5-1	XTN3+8JFZ	Screw	4	
6	SFUP170-03	Bracket, Power transformer	1	Ⓞ
6-1	XTN3+8J	Screw	2	
7	SPT1	AC Power cord	1	
8	SFDH360M01	Phono cord, set for [M]	1	
8-1	SFDH028-01	Phono cord, set for [MC]	1	
9	SFEL028-01E	Earth cord ass'y	1	
10	SFUM170-07	Case, Hinge	2	Ⓞ
10-1	XTN3+8JFZ	Screw	4	
11	SFGK170-01	Rubber cap	2	Ⓞ
12	SFAC170M01	Player case	1	Ⓞ
12-1	SFNN170M01	Name Plate	1	Ⓞ
12-1	SFNN170C01	Name Plate	1	Ⓞ
13	SFUM170-11	Clamper B	1	Ⓞ
13-1	SFUM170-05	Clamper A	1	Ⓞ
13-2	SFUM170-06	Spacer, Cord	2	Ⓞ
13-3	XTW3+14FZ	Screw	4	
14	SFUM130-01	Neon lamp base	1	
14-1	XTN3+8J	Screw	2	
15	SFDP170-03	P.C.B. Phono cord	1	Ⓞ
15-1	SFDJBS5PSHF	Spacer, P.C.B	1	
16	SFKT170-03E	Knob, Selector	1	Ⓞ
17	SFKT170-04E	Knob, Variable pitch control	1	Ⓞ
18	SFKT170-01E	Knob, Start	1	Ⓞ
19	SJT345	Holder Fuse	2	Ⓞ
20	SFDNE2HU	Neon	1	
23	SFDJ5047-09	Connector pin	1	
23-1	SFDJ2759	Terminal	1	
24	SFUP170-01E	Bracket, Variable pitch control	1	Ⓞ

Ref. No.	Part No.	Part Name & Description	Per Set	Remarks
24-1	XTN3+16J	Screw	2	
25	SFUM170-03	Selector cam	1	○
25-1	SFQA130-11	Spring	1	
25-2	SFYB5-32	Ball	1	
27	SFUM170-04	Start cam	1	○
28	SFUM170-02	Cut Plate	1	○
28-1	SFQH910-12	Spring	1	
28-2	XUC3FT	E-shaped	1	
29	SFUP170-02E	Operating plate ass'y	1	○
29-1	XTN3+8J	Screw	2	
29-2	SFXG160-01	Spacer	1	
30	SFUC130-11E	Actuating plate ass'y	1	
30-1	XUC3FT	E-shaped	1	
30-2	SFXW910J02	Washer	1	
31	SFUM170-01	Cut lever	1	○
31-1	XTW3+8E	Screw	1	
32	SFUM170-08	Cover, Micro switch	1	○
32-1	XTN3+8J	Screw	1	
33	SFUP170-06	Base, Micro switch	1	○
33-1	SFDJ2139-03	Connector pin	1	○
33-2	SFDJ2478	Terminal	2	○
34	SFUB140-01A	Operating plate	1	
34-1	SFXW130-13	Washer	1	
35	SFUM130-16	Supporting plate, switch	1	
35-1	XUC3FT	E-shaped	1	
36	SFMZ170-01Z	Stator frame ass'y	1	○
36-1	XTN3+8J	Screw	3	
37	SFUK170-01E	Main base ass'y	1	○
37-1	SFUP170-08	Clamper, Shield	1	○
37-2	XTN3+8J	Screw	1	
38	XVG4C30	Nut	4	
39	SFUM170-10	Spacer, Main base	4	○
40	SFUZ170-02	Rubber felt	4	○
41	SFUM130-23	Gear set ass'y	1	
41-1	XUC3FT	E-shaped	1	
42	SFQS130-11	Spring, Gear set	1	
43	SFUM130-24	Lever, Switch	1	
43-1	XUC3FT	E-shaped	1	
43-2	SFQH910-11	Spring, Switch lever	1	
44	SFUG130-12A	Main gear	1	
45	SFGZ170-02	Rubber, Main base	1	○
46	SFAU170-01	Bottom board	1	○
46-1	XTW3+10FZ	Screw	6	
47	SFGZ170-03	Rubber, Insulators	4	○
48	SFQC170-01	Spring	4	○
49	SFXG170-02E	Nut	4	○
50	SFAU170-03	Spacer	1	○
51	SFGA170-02A	Audio insulators	4	○
51-1	XTN4+30J	Screw	4	
52	SFPWG15001K	Balance weight ass'y	1	
53	SFPAM17001K	Tone arm	1	○
54	SFPCC13001K	Head sheel	1	
56	SFPRT17003K	Arm lift	1	○
56-1	SFXG829-1	Screw, Adjustment of arm lift base	1	
56-2	SFOA829-3	Spring, arm lift	1	
57	SFTJK17001	Anti-Skating force control knob	1	○
58	SFPKD17001	Arm base	1	○
58-1	XYN3+C12S	Screw	2	
59	SFPJL17007K	Cueing lever ass'y	1	○
60	SFPAB12002	Knob, Cueing lever	1	
61	SFPGM20001	Cueing rubber	1	

Ref. No.	Part No.	Part Name & Description	Per Set	Remarks
62	SFPRT17001K	Arm rest	1	○
62-1	XWA26BFM	Washer	1	
62-2	XNG26EBNS	Nut	1	
63	SFPAB17001A	Arm lift base ass'y	1	○
63-1	XTN3+5B	Screw	2	
65	SFPJK17002	Canceler cam A	1	○
65-1	XTW26+5D	Screw	1	
66	SFPPH17001	Canceler cam B	1	○
66-1	XWG3F13	Washer	1	
66-2	XTN3+5B	Screw	1	
67	SFPAB17005A	Tone arm fixing plate ass'y	1	○
67-1	XYN3+F5S	Screw	2	
68	SFDP170-04	Terminal strip, Phono cord	1	○
68-1	XTN3+12J	Screw	1	
69	SFGT829T02	Tube	1	
70	SFDJS5PSHF1	Connector	1	○
71	SFPSP17003	Spring	1	○
ACCESSORY PARTS				
A1	SFNU170M01	Printed Matter, set for [M]	1	○
A1	SFNU170C01	Printed Matter, set for [MC]	1	○
A2	SFWO010	Oil	1	
A3	SFWE154A1	45 rpm Adaptor	1	
A4	SFPEV7800	Screw, Cartridge	2	
A5	SFCZV8800	Screw, Cartridge	2	
A6	SFYF09B15	Overhang gauge	1	
PACKING MATERIALS				
P1	SFHP170M01	Packing case, set for [M]	1	○
P1	SFHP170C01	Packing case, set for [MC]	1	○
P2	SFHH170-01	Side pad (Front)	1	○
P3	SFHH170-02	Side pad (Rear)	1	○
P4	SFHD170-01	Top pad	1	○
P5	SFHD170-02	Pad, Turntable	1	○
P6	SFHS170-02	Spacer, Arm base	1	○
P7	SFHS170-01	Spacer, Panel	2	○

■ PACKING PARTS

