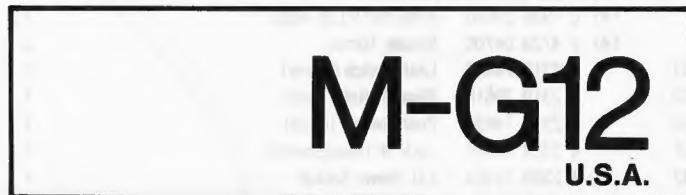


MODIFICATION NOTICE



STEREO CASSETTE PLAYER



Date: September, 10, 1983

142 385 16

This Sheet has been modified from original model of M-G12. Against the original model, the pre-amplifier and the power amplifier are constructed by one IC (LA4520).

The following corrections should be made in the SERVICE MANUALS and PARTS (PRICE) LIST.
For other items, refer to the Service Manual for the original model (WM-8805).

Section: PACKAGE

Ref. No.	Description	Non-modified Part No.	Post-modified Part No.	Q'ty	Remark	Reason
	Individual Carton	141-6-1419-65300	141-6-1419-71700	1		—
	Styrofoam Case	141-6-1449-82600	141-6-1449-91600	1		—
	Plain Pad	141-6-3919-42000	141-6-3919-45400	1		—

Section: ACCESSORIES

Ref. No.	Description	Non-modified Part No.	Post-modified Part No.	Q'ty	Remark	Reason
	Headphones	4-1529-70240	4-1529-70370	1		A
	Instruction Manual	142-6-4119-31680	142-6-4119-31876	1		A

Section: CABINET

Ref. No.	Description	Non-modified Part No.	Post-modified Part No.	Q'ty	Remark	Reason
CA1	Completed Cabinet Top	141-0-1119-88101	141-0-1119-88110	1		C
CA2	Screw, +M1.7x4.0	141-2-4219-10602	---	1	Delete	C
CA6	Amplifier P.C.B. Assy	4-1329-78100	141-0-1939-02690	1		C
CA14	Cabinet Bracket	141-2-2149-18300	---	1	Delete	C
CA15	Screw, +M1.7x5.0	141-2-4219-27200	---	1	Delete	C

NOT INTERCHANGEABLE	Serial No.	Effective from xxx -----
Q'ty of initial production before modification	Identification of modified unit.	
70,000 units		
REASON FOR MODIFICATION A: Standardization C: Improvement of reliability E: Misprint G: B: Change of materials D: Improvement of performance F: Registration		

SANYO ELECTRIC INC.

P.C.BOARD PARTS LIST

Ref. No. Part No. Description Q'ty

AMPLIFIER P.C.B. ASSY

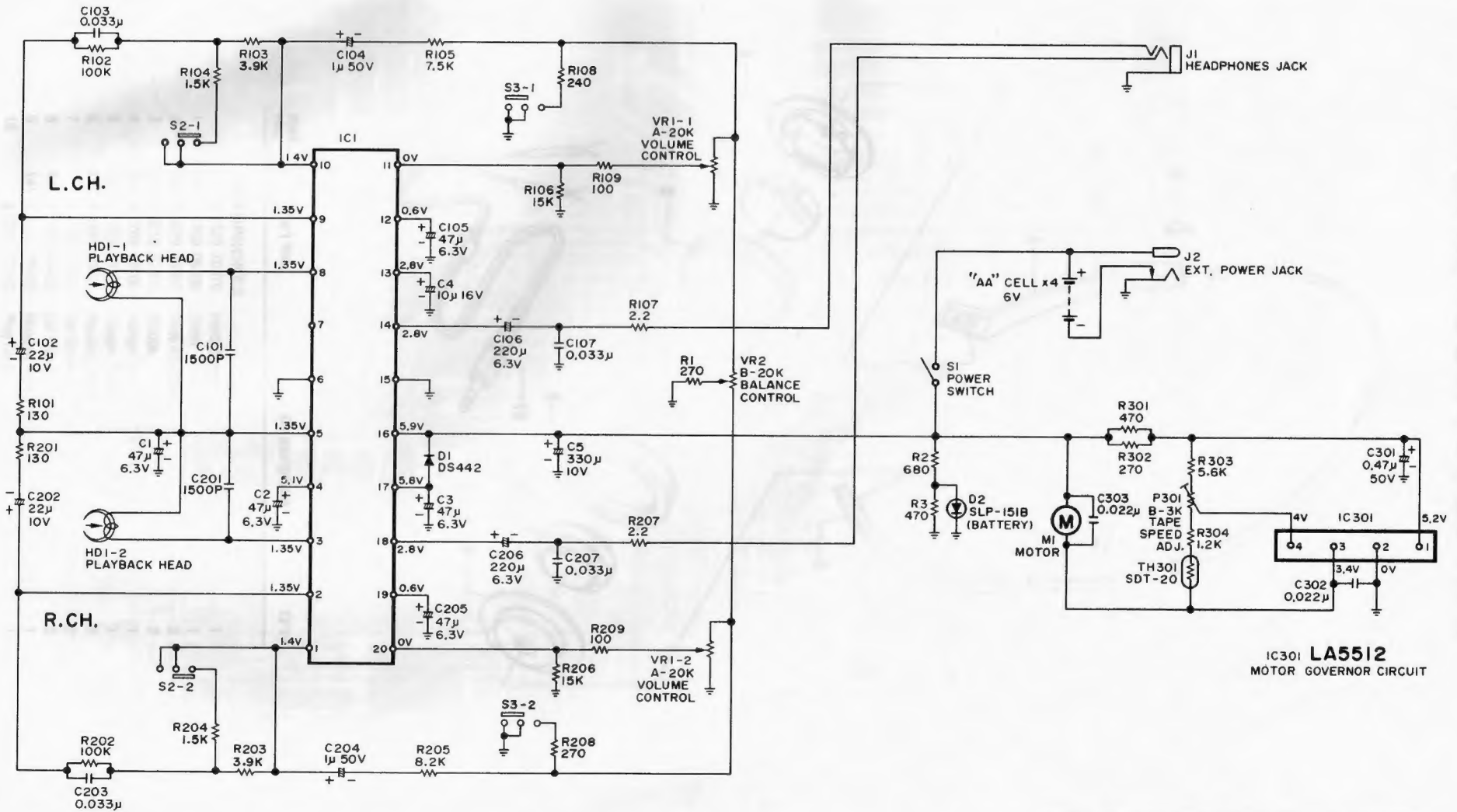
	141	0 1939 02690	Amplifier P.C.B. Assy		1
	141	2 4729 04700	Staple, 10mm		2
S1	4	2319 74490	Leaf Switch (Power)		1
S2	4	2319 75610	Slide Switch (Tone)		1
S3	4	2319 74630	Push Switch (Mute)		1
J1	4	2359 75782	Jack 3P (Headphones)		1
J2	4	2359 72954	Ext. Power Socket		1
VR1	4	2229 73910	Control Volume (Volume, A-20k Ω)		1
VR2	4	2229 73900	Control Volume (Balance, B-20k Ω)		1
P301	4	2229 73511	Potentiometer (B-3k Ω)		1
IC1	207	5 1484 52010	IC, LA 4520		1
IC301	206	5 1555 51220	IC, LA 5512		1
D1	205	5 9040 44210	Diode, DS 442		1
TH301	204	5 9000 00200	Thermistor, SDT 20		1
C1	CD4	7 663A 0001V	Electrolytic	47 μ F 6.3V	1
C2	CD4	7 663A 0001V	Electrolytic	47 μ F 6.3V	1
C3	CD4	7 663A 0001V	Electrolytic	47 μ F 6.3V	1
C4	CD1	0 6160 0001V	Electrolytic	10 μ F 16V	1
C5	CD3	3 7100 0001V	Electrolytic	330 μ F 10V	1
C101	CC1	5 2500 KE00C	Ceramic	0.0015 μ F 50V \pm 10%	1
C102	CD2	2 6100 0001V	Electrolytic	22 μ F 10V	1
C103	CM3	3 3500 K00MV	Mylar	0.033 μ F 50V \pm 10%	1
C104	CD1	0 5500 0001V	Electrolytic	1 μ F 50V	1
C105	CD4	7 663A 0001V	Electrolytic	47 μ F 6.3V	1
C106	CD2	2 763A 0001V	Electrolytic	220 μ F 6.3V	1
C107	CM3	3 3500 K00MV	Mylar	0.033 μ F 50V \pm 10%	1
C201	CC1	5 2500 KE00C	Ceramic	0.0015 μ F 50V \pm 10%	1
C202	CD2	2 6100 0001V	Electrolytic	22 μ F 10V	1
C203	CM3	3 3500 K00MV	Mylar	0.033 μ F 50V \pm 10%	1
C204	CD1	0 5500 0001V	Electrolytic	1 μ F 50V	1
C205	CD4	7 663A 0001V	Electrolytic	47 μ F 6.3V	1
C206	CD2	2 763A 0001V	Electrolytic	220 μ F 6.3V	1
C207	CM3	3 3500 K00MV	Mylar	0.033 μ F 50V \pm 10%	1
C301	CD4	7 4500 0001V	Electrolytic	0.47 μ F 50V	1
C302	CI2	2 3250 KF00C	Boundary	0.022 μ F 25V \pm 10%	1
C303	CI2	2 3250 KF00C	Boundary	0.022 μ F 25V \pm 10%	1
R1	RD2	7 1251 JS000	Carbon	270 Ω 1/4W \pm 5%	1
R2	RD6	8 1251 JS000	Carbon	680 Ω 1/4W \pm 5%	1
R3	RD4	7 1251 JS000	Carbon	470 Ω 1/4W \pm 5%	1
R101	RD1	3 1251 JS000	Carbon	130 Ω 1/4W \pm 5%	1
R102	RD1	0 4251 JS000	Carbon	100k Ω 1/4W \pm 5%	1
R103	RD3	9 2251 JS000	Carbon	3.9k Ω 1/4W \pm 5%	1
R104	RD1	5 2251 JS000	Carbon	1.5k Ω 1/4W \pm 5%	1
R105	RD7	5 2251 JS000	Carbon	7.5k Ω 1/4W \pm 5%	1
R106	RD1	5 3251 JN000	Carbon	15k Ω 1/4W \pm 5%	1
R107	RD2	2 A251 JS000	Carbon	2.2 Ω 1/4W \pm 5%	1
R108	RD2	4 1251 JS000	Carbon	240 Ω 1/4W \pm 5%	1
R109	RD1	0 1251 JS000	Carbon	100 Ω 1/4W \pm 5%	1
R201	RD1	3 1251 JS000	Carbon	130 Ω 1/4W \pm 5%	1
R202	RD1	0 4251 JS000	Carbon	100k Ω 1/4W \pm 5%	1
R203	RD3	9 2251 JS000	Carbon	3.9k Ω 1/4W \pm 5%	1
R204	RD1	5 2251 JS000	Carbon	1.5k Ω 1/4W \pm 5%	1
R205	RD8	2 2251 JS000	Carbon	8.2k Ω 1/4W \pm 5%	1
R206	RD1	5 3251 JS000	Carbon	15k Ω 1/4W \pm 5%	1
R207	RD2	2 A251 JS000	Carbon	2.2 Ω 1/4W \pm 5%	1
R208	RD2	7 1251 JS000	Carbon	270 Ω 1/4W \pm 5%	1
R209	RD1	0 1251 JS000	Carbon	100 Ω 1/4W \pm 5%	1
R301	RD4	7 1251 JS000	Carbon	470 Ω 1/4W \pm 5%	1
R302	RD2	7 1251 JS000	Carbon	270 Ω 1/4W \pm 5%	1
R303	RD5	6 2251 JS000	Carbon	5.6k Ω 1/4W \pm 5%	1
R304	RD1	2 2251 JS000	Carbon	1.2k Ω 1/4W \pm 5%	1

NOTES:

1. Parts order must contain Model Number, Part Number and Description.
2. Ordering quantity of screws and resistors must be multiple of 10 pcs.

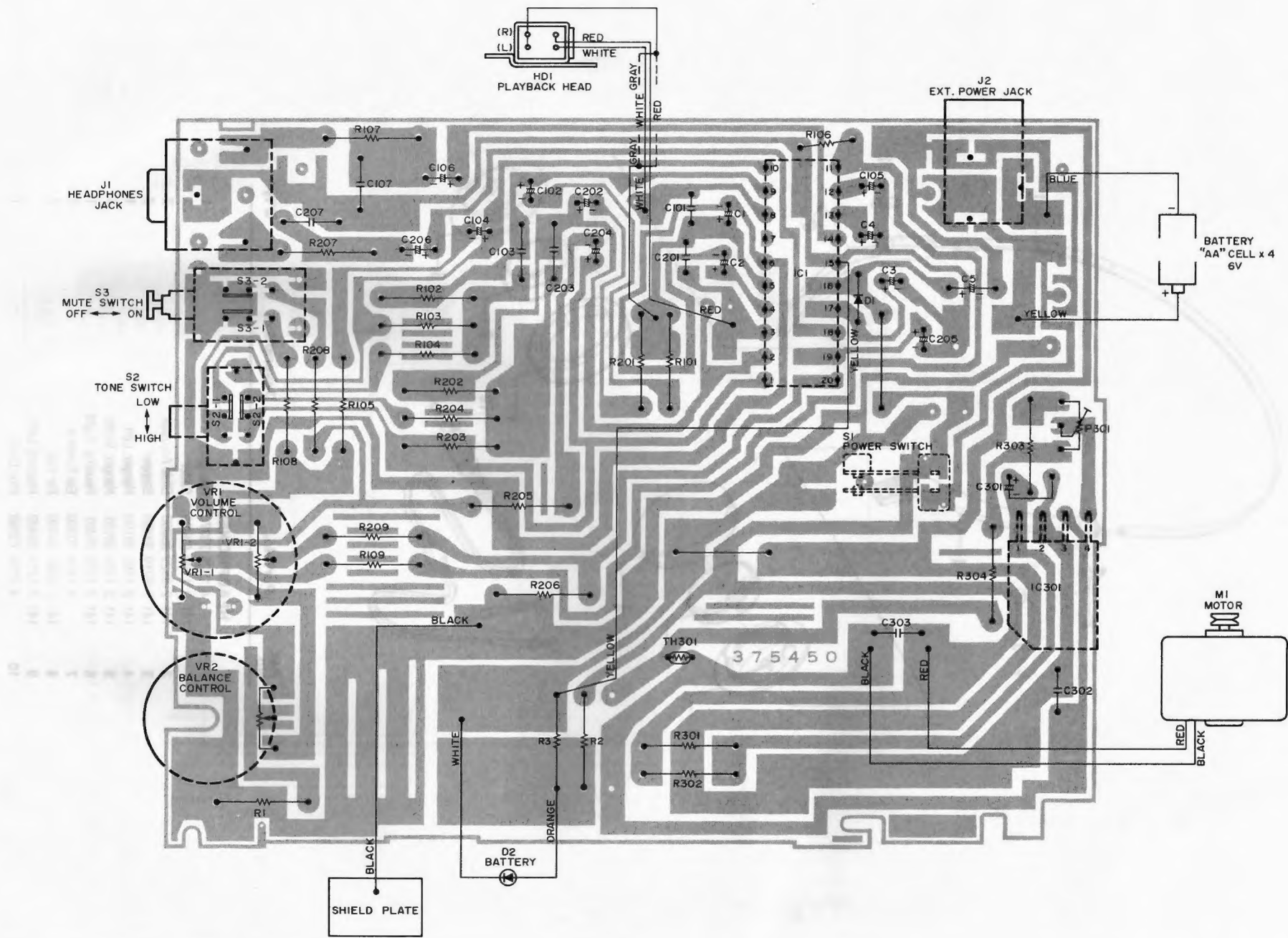
SCHEMATIC DIAGRAM

IC1 LA4520
PRE/POWER AMPLIFIER



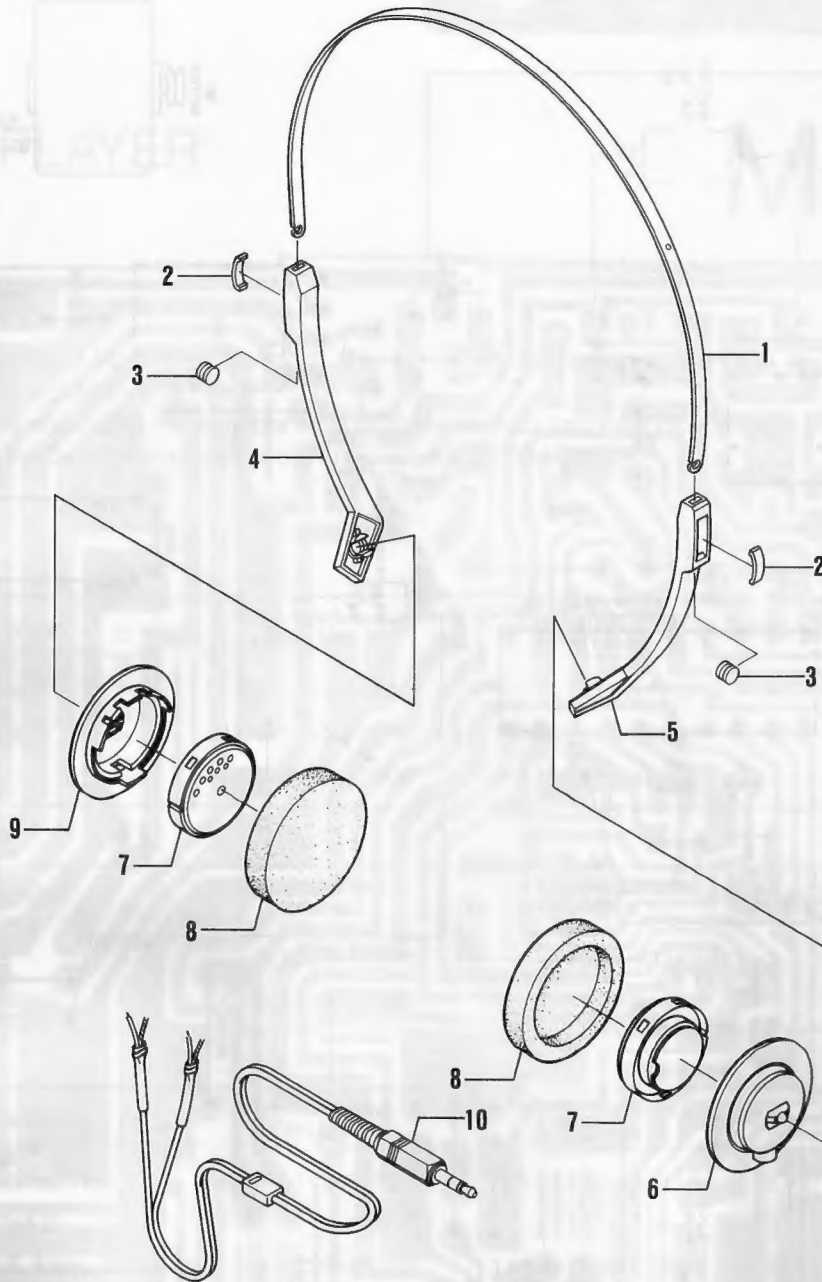
No.	Name	Position
S1	Power Switch	OFF
S2	Tone Switch	LOW
S3	Mute Switch	OFF

WIRING DIAGRAM



HEADPHONE EXPLODED VIEW

HEADPHONE EXPLODED VIEW



Ref. No.	Part No.	Description	Q'ty
HEADPHONES			
	4 1529 70370	Headphones	1
1	141 2 1769 06400	Slider	1
2	141 2 3529 36800	Slide Adjustor	2
3	141 2 8219 32400	Stopper	2
4	141 2 1769 08100	Hanger, Left	1
5	141 2 1769 08101	Hanger, Right	1
6	141 2 1259 05401	Housing, Right	1
7	4 1529 70380	Ear Speaker	2
8	141 2 4469 44400	Ear Pad	2
9	141 2 1259 05400	Housing, Left	1
10	4 2369 73860	Plug Cord	1