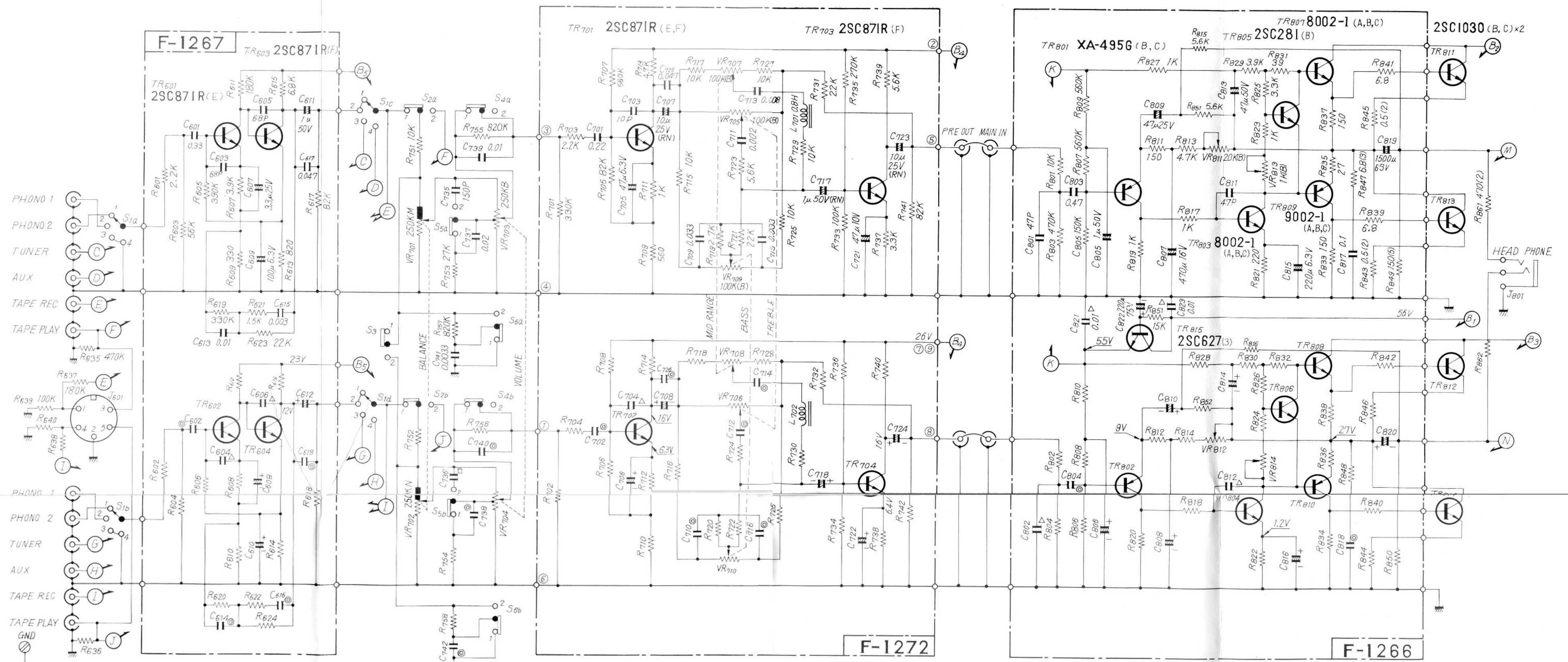


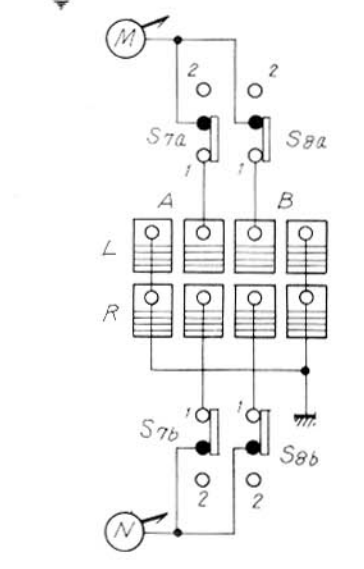
SANSUI AU-555A SCHEMATIC DIAGRAM



SYMBOL
 ○ OIL
 ◐ MYLAR
 ◑ CERAMIC

ALL RESISTORS 1/4 WATT
 UNLESS OTHERWISE NOTED.

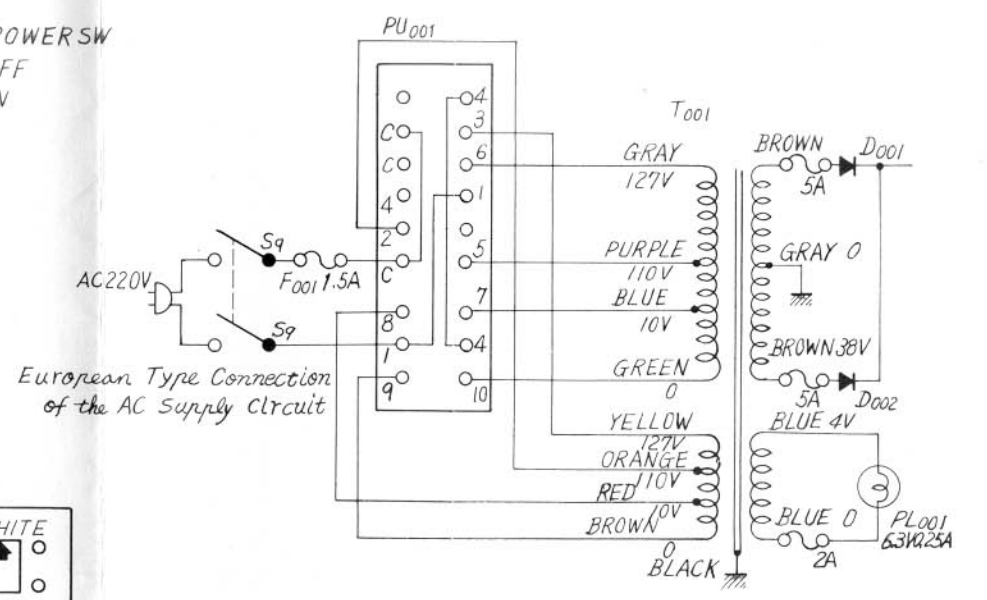
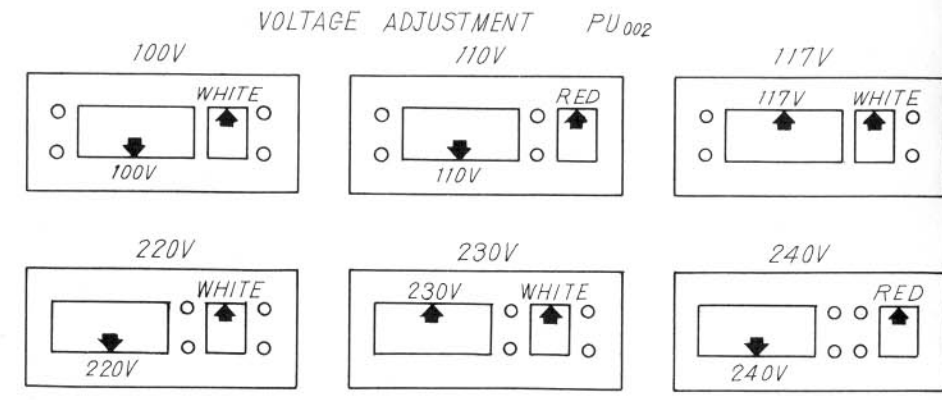
- S1a-d SELECTOR SW
 1. PHONO 2
 2. PHONO 1
 3. TUNER
 4. AUX
- S2(a,b) TAPE MONITOR SW
 1. SOURCE
 2. PLAY BACK
- S3 MODE SW
 1. STEREO
 2. MONO
- S4(a,b) LOW FILTER SW
 1. OFF
 2. ON
- S5(a,b) LOUDNESS SW
 1. OFF
 2. ON
- S6(a,b) HIGH FILTER SW
 1. OFF
 2. ON
- S7(a,b) A SPEAKERS SW
 1. ON
 2. OFF
- S8(a,b) B SPEAKERS SW
 1. ON
 2. OFF
- S9 POWER SW
 1. OFF
 2. ON



Replace with sametype fuse
 100-127V 2A
 220-250V 1.5A

UNSWITCHED 150VA
 SWITCHED 50VA

*Wired-in Fuse
 CSA Approved Equipment only.



* Manufacturer reserves right to change design and/or specifications without notice for purpose of improvement.