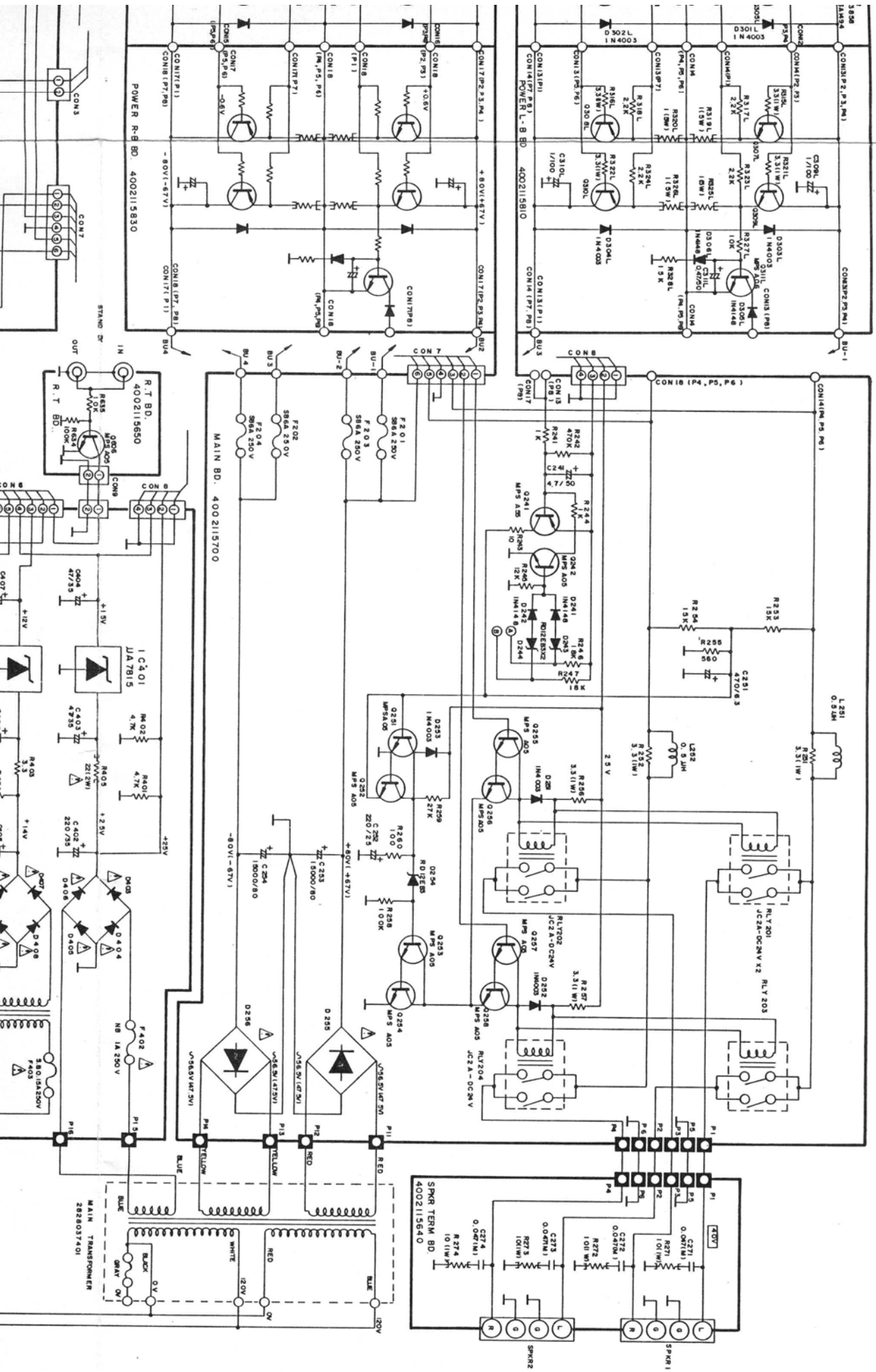
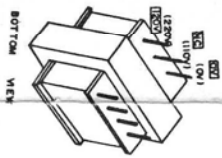
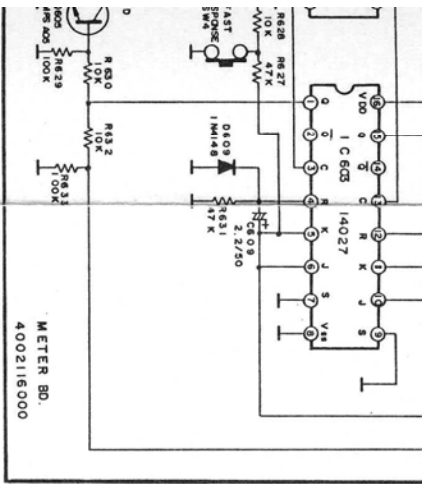
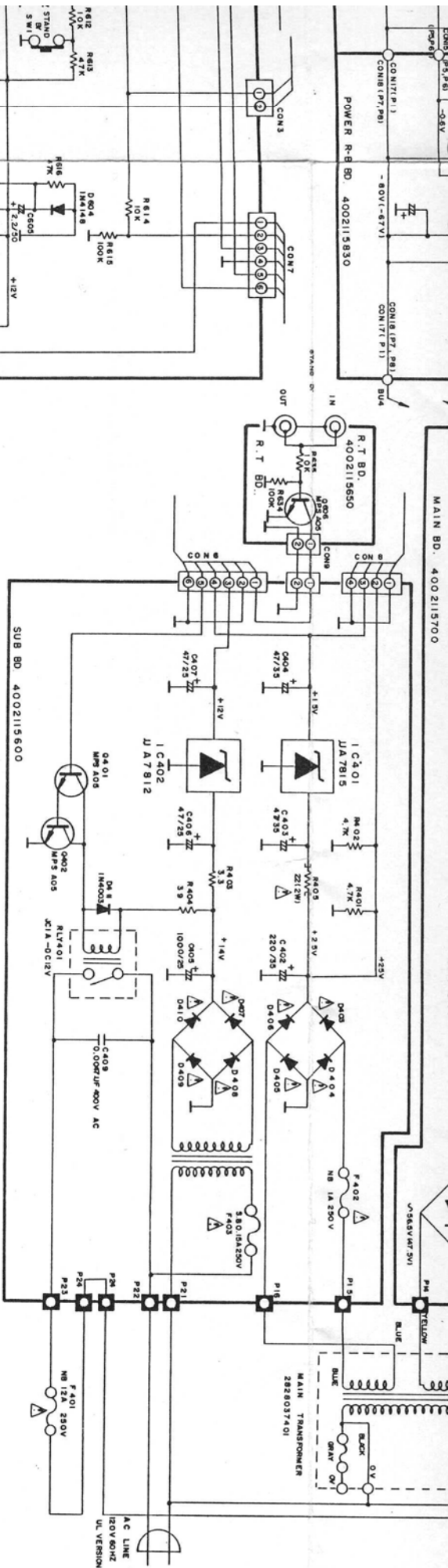


# Schematic Diagram A502

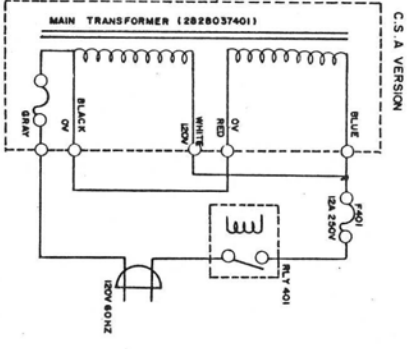
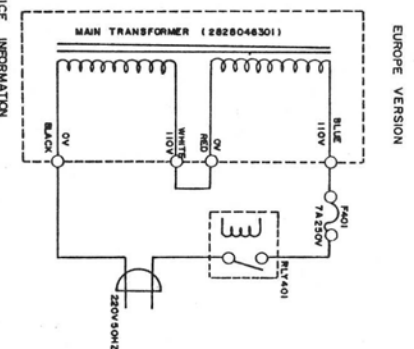
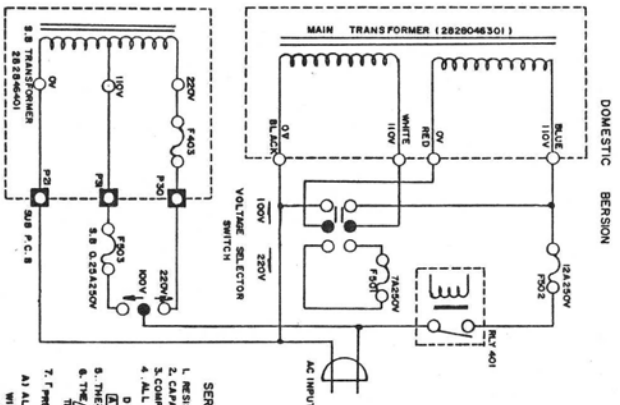
D E F G



1 2 3



TOP VIEW  
BOTTOM VIEW



**SERVICE INFORMATION**

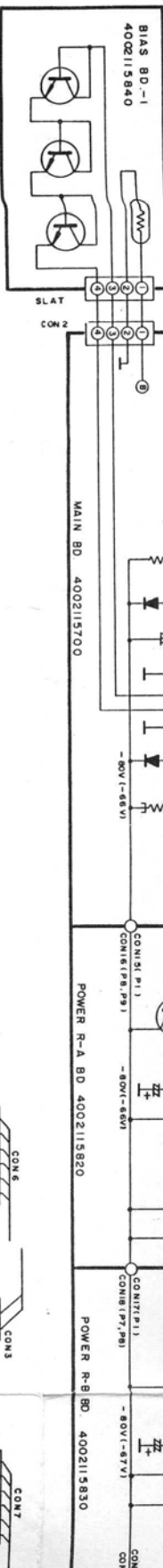
- RESISTANCE VALUES ARE INDICATED IN OHMS UNLESS OTHERWISE SPECIFIED. (K=1,000 M=1,000,000)
- CAPACITANCE VALUES ARE SHOWN IN MICROFARADS UNLESS OTHERWISE NOTED. (P=PICTO-MICRO FARADS)
- COMPONENTS IDENTIFIED BY A TRIANGLE ARE TO BE REPLACED WITH THE SAME TYPE AND RESISTANCE TO GROUND UNDER THE FOLLOWING CONDITION:
  - A. C. NO SIGNAL WHERE INDICATED
  - B. THE PART NUMBER ABOVE P.C.B. ON SLEEVES
- THE PART NUMBER ABOVE P.C.B. ON SLEEVES INDICATES THE IMPORTANCE OF THE SAFETY FACTOR OF THE PARTS. THEREFORE, WHEN REPLACING BE SURE TO USE PARTS OF IDENTICAL DESIGNATION.
- REGULATION

ALL REPLACEMENT COMPONENTS IDENTIFIED BY A TRIANGLE MUST BE REPLACED ONLY WITH ORIGINAL TYPE SPECIFIED BY THE MANUFACTURER AND INSTALLED AS THE ORIGINAL, WITH SPACERS AND POSITIONED AWAY FROM ADJACENT COMPONENTS WHERE APPLICABLE.

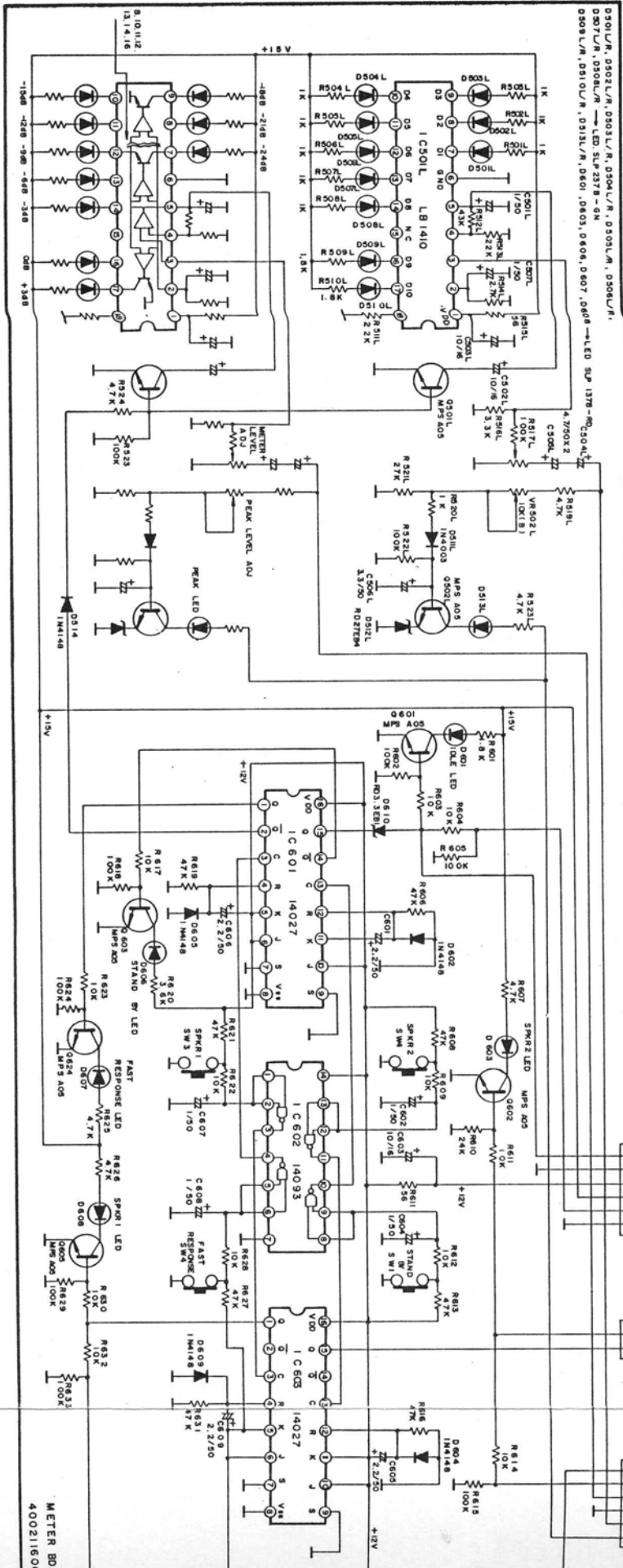
- ALL SOLDERING MUST BE DONE IN A PROFESSIONAL MANNER USING SOLDER WITH ROHS COMPLIANT.
- ALL COVERS, SHELDS AND INSULATING SPACERS MUST BE REPLACED BEFORE RETURNING APPLIANCE TO CUSTOMER.
- APPLIANCE CUSTOMER MUST BE INSTRUCTED TO RETURNING APPLIANCE TO CUSTOMER.
- APPLIANCE CUSTOMER MUST BE INSTRUCTED TO RETURNING APPLIANCE TO CUSTOMER.

8) A DEFLECTING TEST CONSISTING OF 100V AC 60HZ IS TO BE APPLIED BETWEEN THE TERMINALS OF THE POWER SUPPLY CORD ATTACHMENT FLUG AND THE EXPOSED CONDUCTIVE SURFACE OF THE APPLIANCE FOR A PERIOD OF NOT LESS THAN ONE SECOND BEFORE RETURNING APPLIANCE TO CUSTOMER.

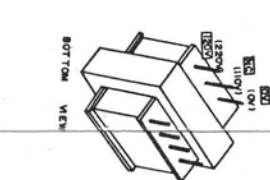
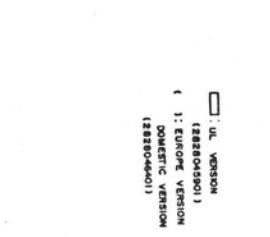
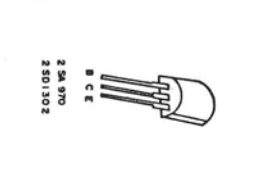
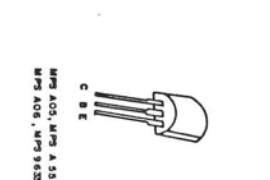
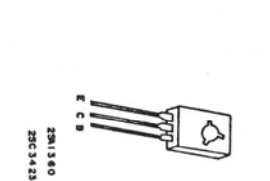
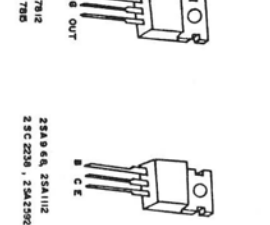
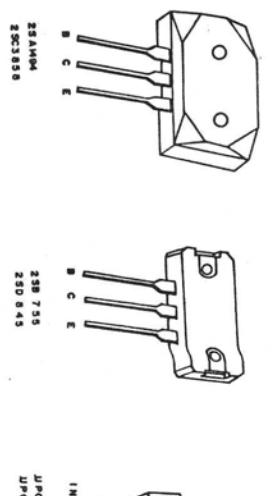
*Secondary Transformer  
Drawn Load = .08 Amps  
Measured 11/24/00 @ 14VDC*



3



4



A B C D

5

METER BD. 400211600

