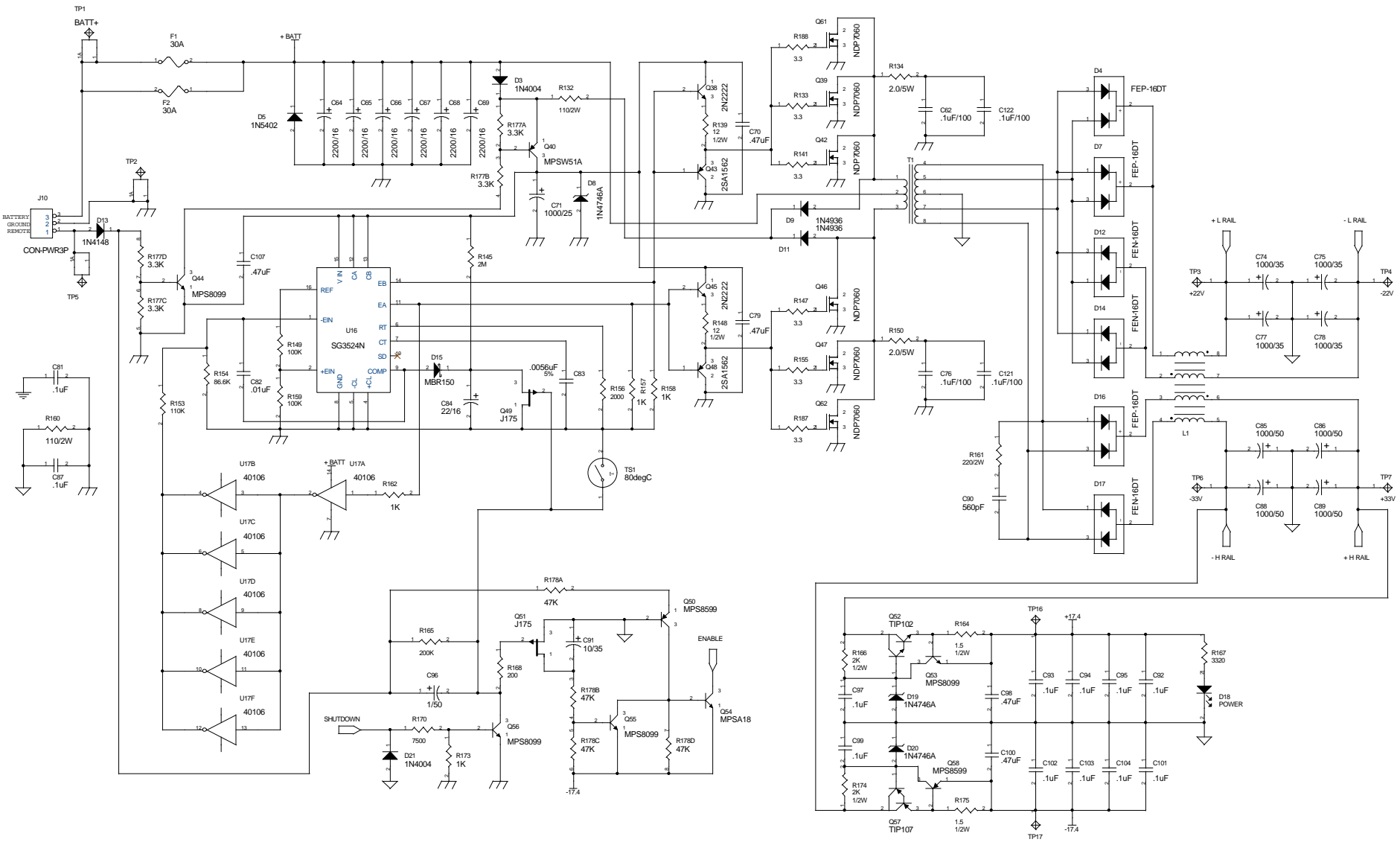
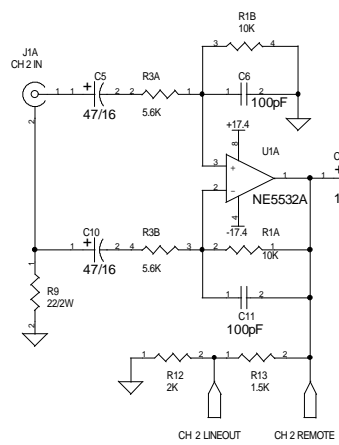


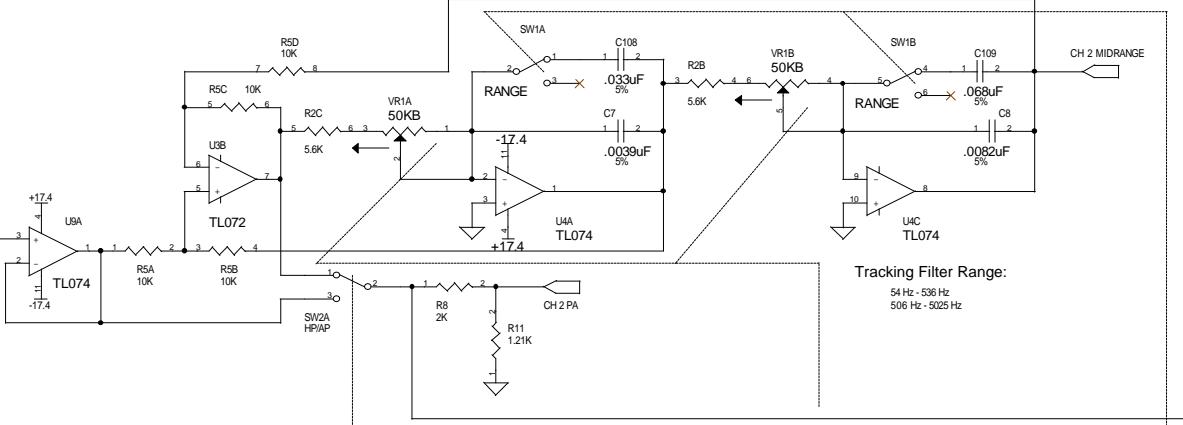
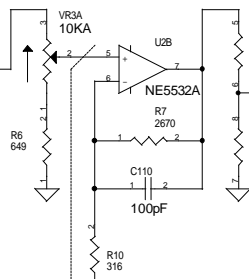
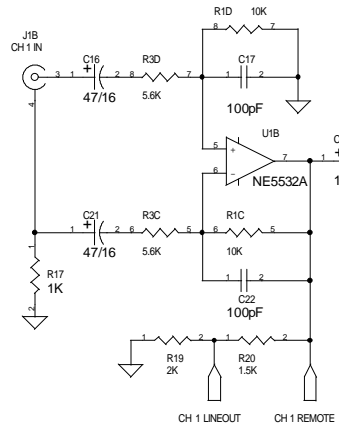
Soundstream Technologies			
Rubicon555 Power Amplifiers			
Title	Document Number	7400-0016-00	Rev
Size	Custom		
Date:	Thursday, September 10, 1998	Sheet	1 of 4

Inverter Transformer
 (for each half of winding)
 PRI. = 4T 6x18G
 SEC.1 = 10T 3x18G
 +SEC.2 = 6T 1x20G

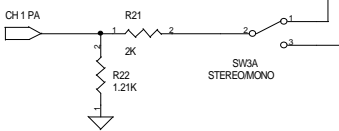




Pre-Amp
Sen: 0.3V - 5V



Tracking Filter Range:
54 Hz - 536 Hz
506 Hz - 925 Hz



POTENTIOMETERS: A = LOG
B = LINEAR
C = REV. LOG

Soundstream Technologies 120 Blue Ravine Rd. Folsom, CA. 95630			
Title Rubicon555 Preamp, CH 1 & 2			
Size	Document Number	7400-0016-00	Rev
Date:	Wednesday, August 19, 1998	Sheet	3 of 4

