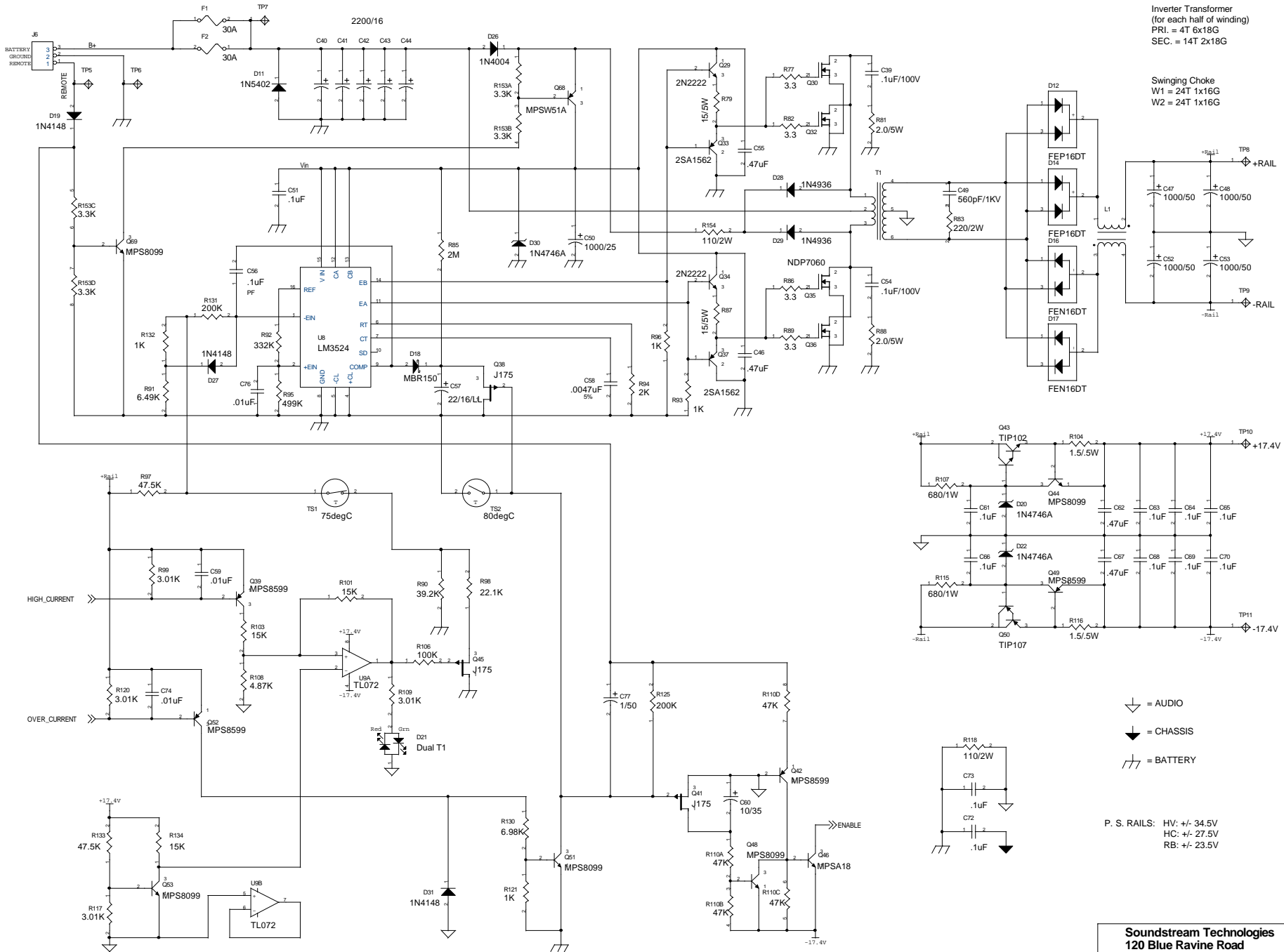


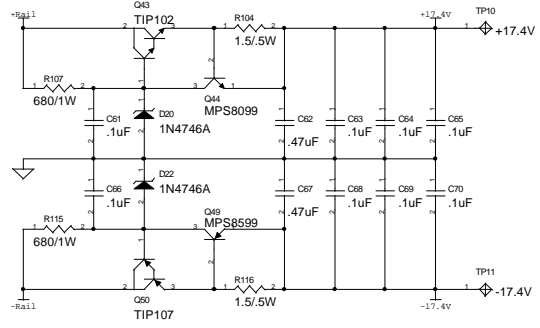
U U U U

Soundstream Technologies 120 Blue Ravine Road Folsom, CA 95630			
Title	Rubicon502 Power Amps		
Size	Document Number		Rev
Custom	7400-0003-05		
Date	Tuesday, April 28, 1998	Sheet	2 of 3



Inverter Transformer
(for each half of winding)
PRI. = 4T 6x18G
SEC. = 14T 2x18G

Swinging Choke
W1 = 24T 1x16G
W2 = 24T 1x16G



- ⬇ = AUDIO
- ⬇ = CHASSIS
- ⬇ = BATTERY

P. S. RAILS: HV: +/- 34.5V
HC: +/- 27.5V
RB: +/- 23.5V

Soundstream Technologies
120 Blue Ravine Road
Folsom, CA 95630

Title: Rubicon502 Power Supply		
Size: Custom	Document Number: 7400-0003-05	Rev: 3
Date: Wednesday, September 16, 1998	Sheet: 3	of 3