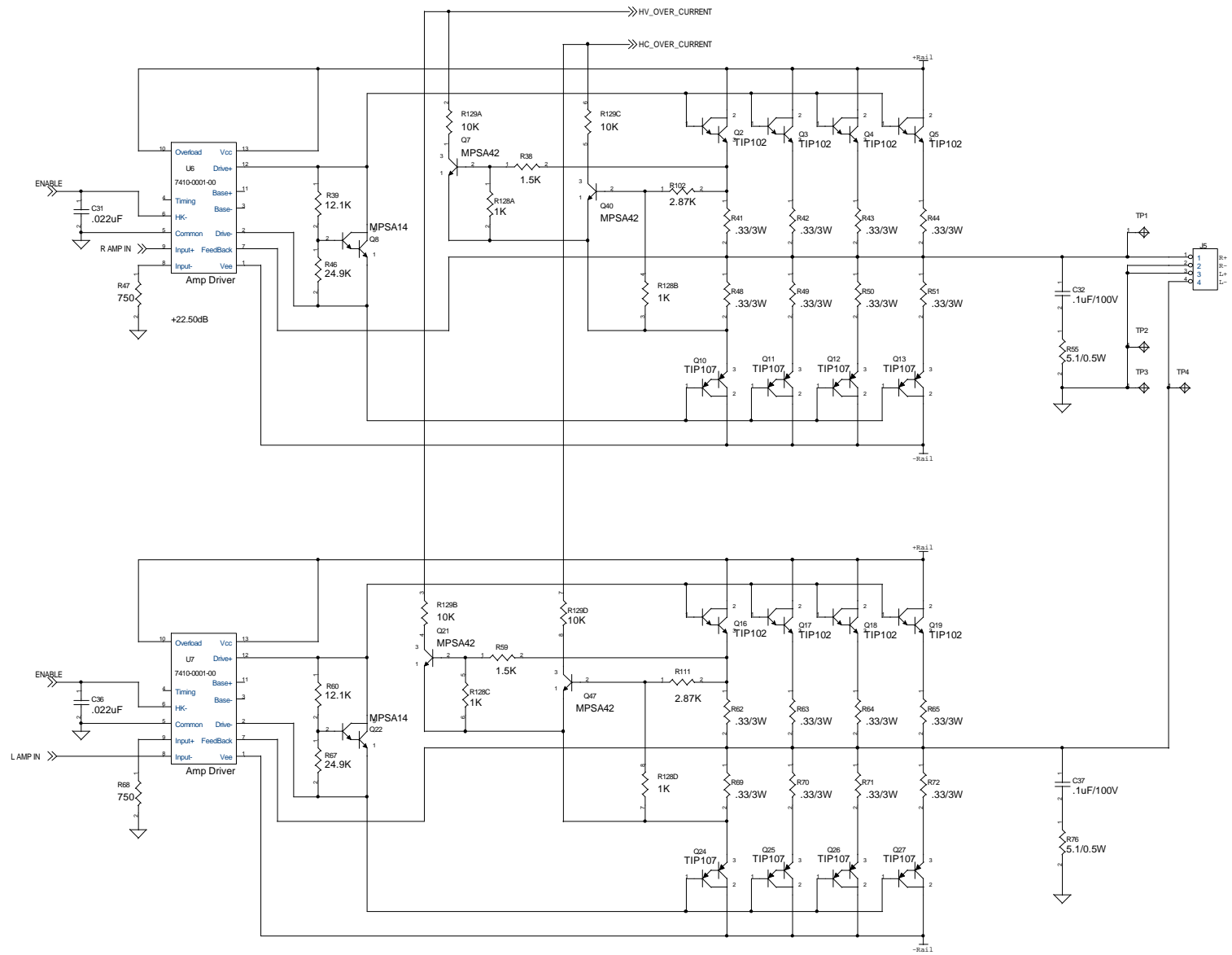


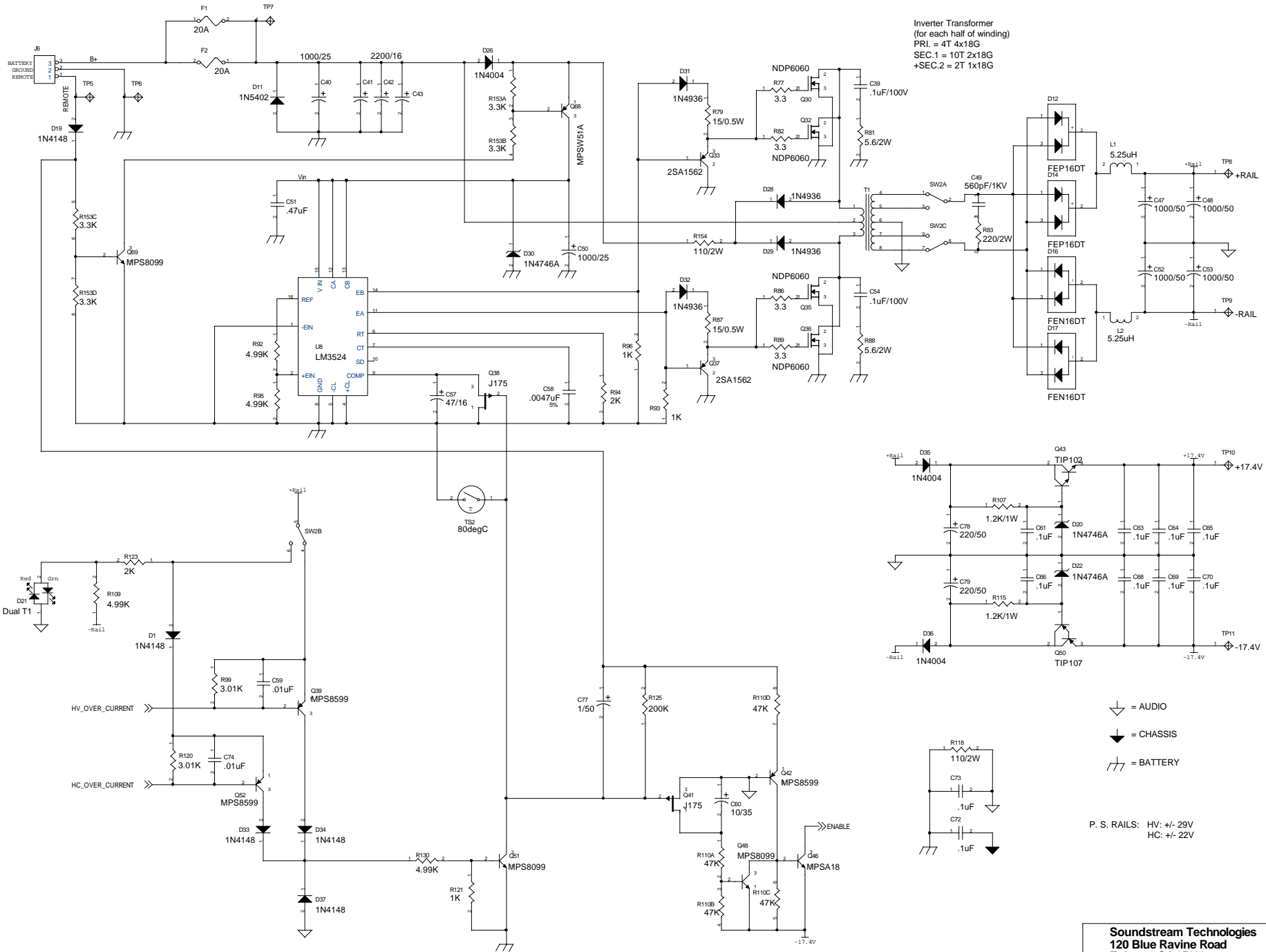
Potentiometer Tapers:  
 A - Linear  
 B - Log; reverse inserted on PCB for CW Anti-Log  
 C - Anti-Log; reverse inserted on PCB for CW Log

\* (Asterisk) indicates user adjustable SIP resistor.

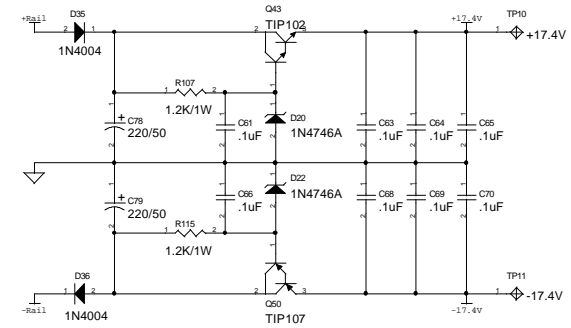
**Soundstream Technologies**  
 120 Blue Ravine Road  
 Folsom, CA 95630

Title: Rubicon302 Preamp	
Size: Custom	Document Number: 7400-0006-04
Date: Monday, August 31, 1998	Sheet: 1 of 3





Inverter Transformer  
 (for each half of winding)  
 PRI. = 4T 4x18G  
 SEC.1 = 10T 2x18G  
 +SEC.2 = 2T 1x18G



- ⬇ = AUDIO
- ⬇ = CHASSIS
- ⚡ = BATTERY

P. S. RAILS: HV: +/- 29V  
 HC: +/- 22V

**Soundstream Technologies**  
 120 Blue Ravine Road  
 Folsom, CA 95630

Title: Rubicon302 Power Supply		
Size: Custom	Document Number: 7400-0006-04	Rev: R01
Date: Thursday, October 29, 1998	Sheet: 3	of 3