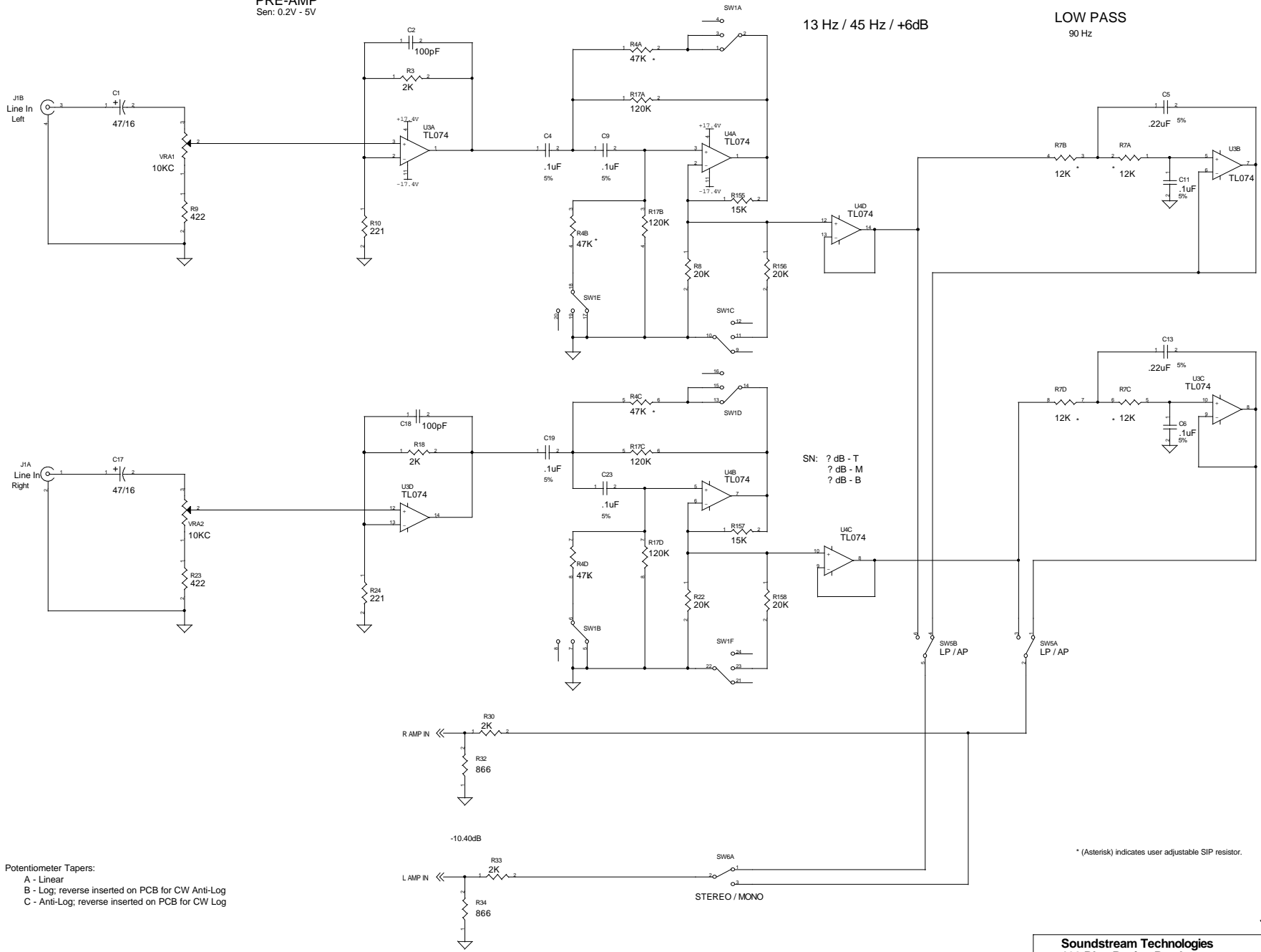


**PRE-AMP**  
Sen: 0.2V - 5V

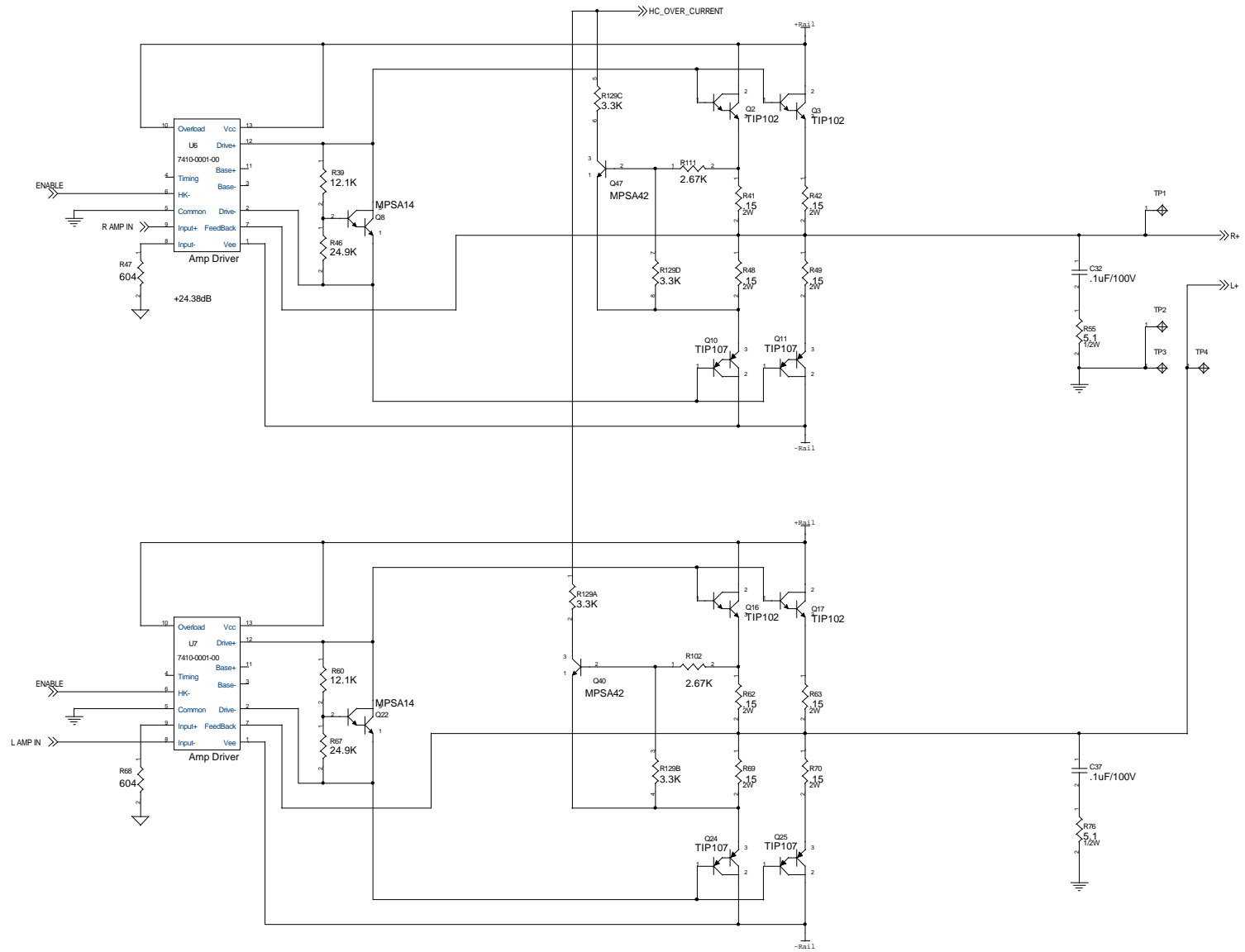


Potentiometer Tapers:  
 A - Linear  
 B - Log; reverse inserted on PCB for CW Anti-Log  
 C - Anti-Log; reverse inserted on PCB for CW Log

\* (Asterisk) indicates user adjustable SIP resistor.

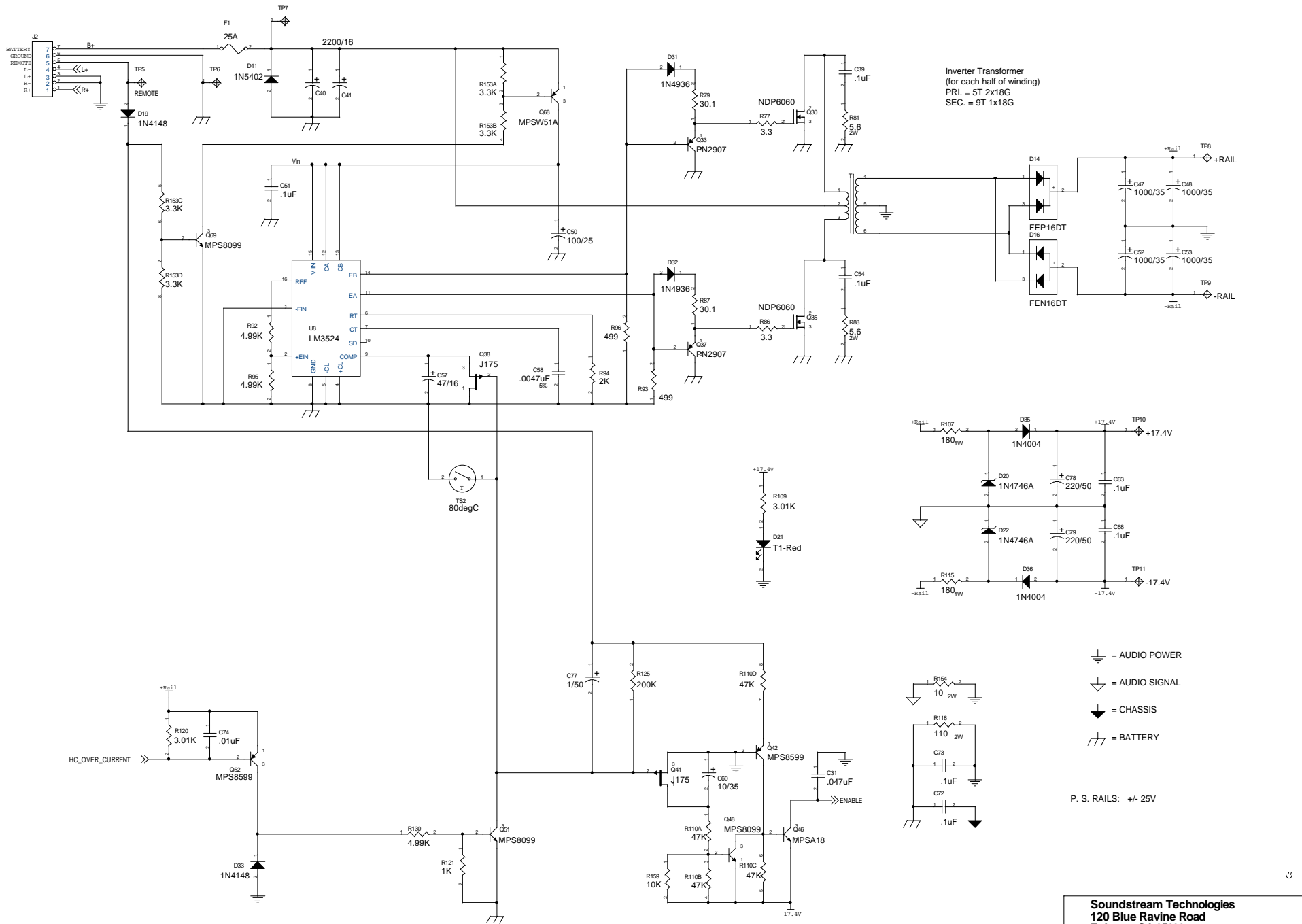
**Soundstream Technologies**  
 120 Blue Ravine Road  
 Folsom, CA 95630

Title		Rubicon102 Preamp	
Size	Document Number	Rev	
Custom	7400-0011-03		
Date	Monday, August 31, 1998	Sheet	1 of 3



U U

<b>Soundstream Technologies</b> 120 Blue Ravine Road Folsom, CA 95630		
Title	Rubicon102 Power Amps	
Size	Document Number	Rev
Custom	7400-0011-03	
Date	Friday, August 21, 1998	Sheet 2 of 3



Inverter Transformer  
 (for each half of winding)  
 PRI. = 5T 2x18G  
 SEC. = 9T 1x18G

- ⏏ = AUDIO POWER
- ⏏ = AUDIO SIGNAL
- ⏏ = CHASSIS
- ⏏ = BATTERY

P. S. RAILS: +/- 25V

**Soundstream Technologies**  
 120 Blue Ravine Road  
 Folsom, CA 95630

Title		Rubicon102 Power Supply	
Size	Document Number	Rev	
Custom	7400-0011-03		
Date	Tuesday, September 22, 1998	Sheet	3 of 3