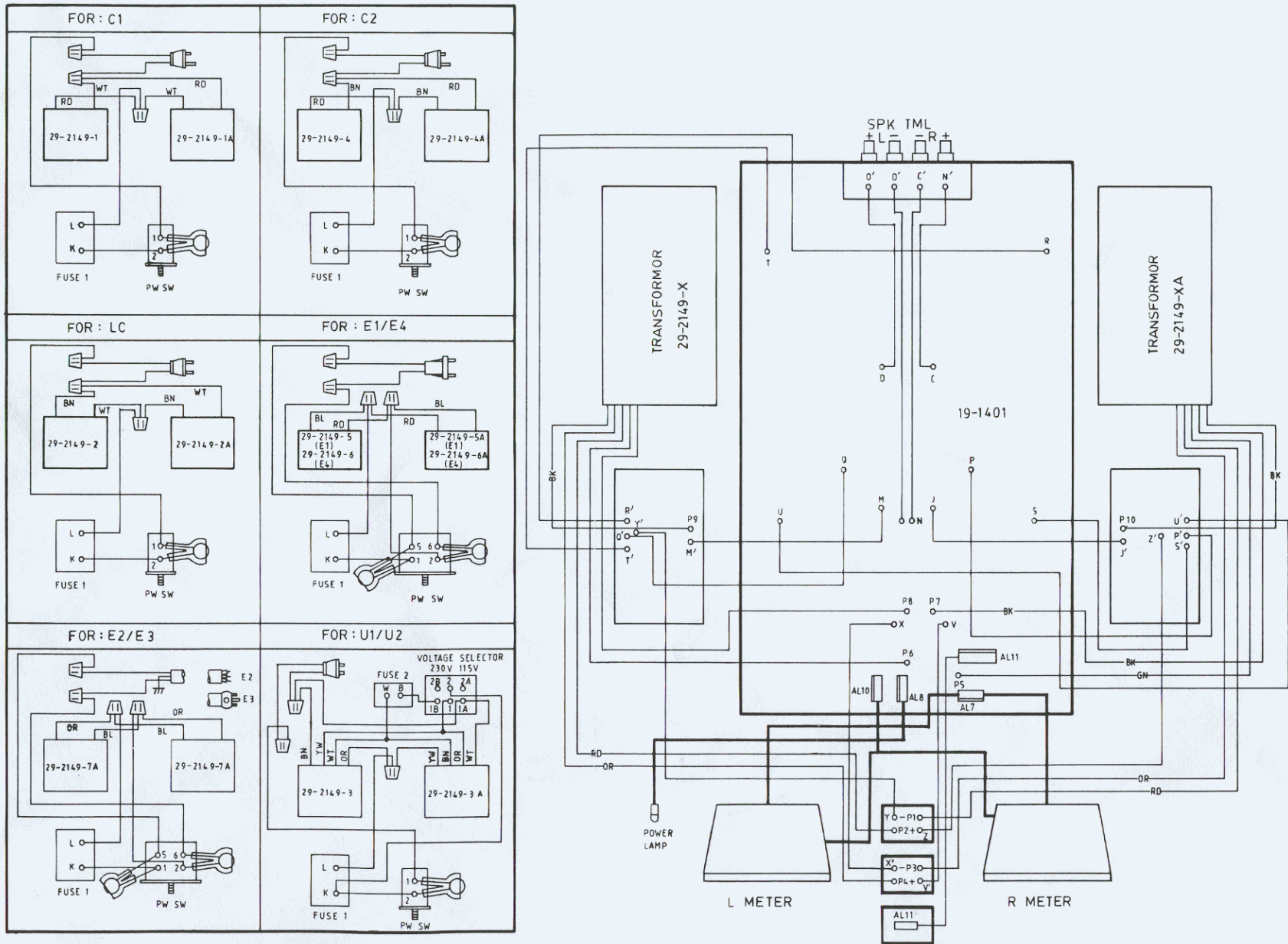
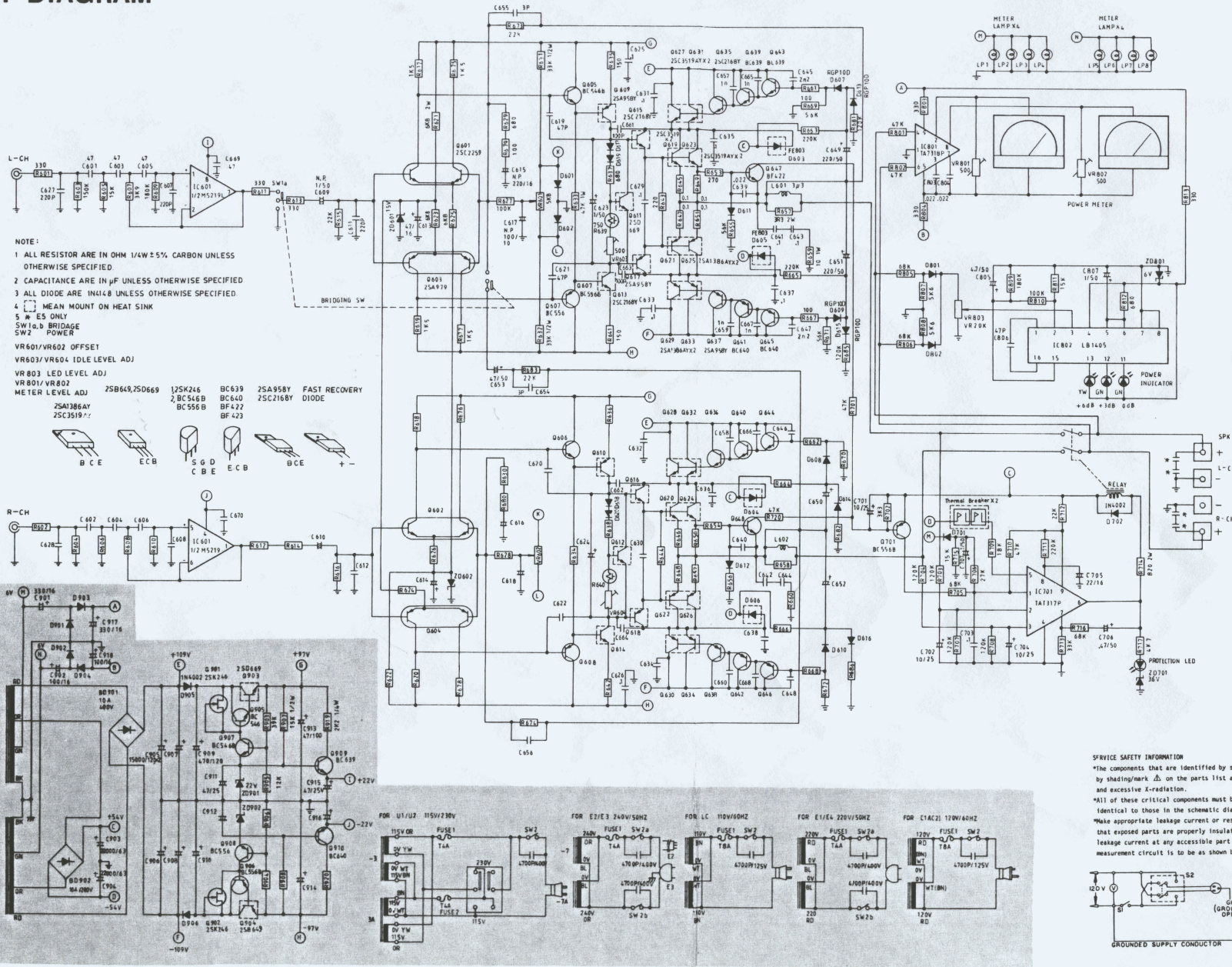


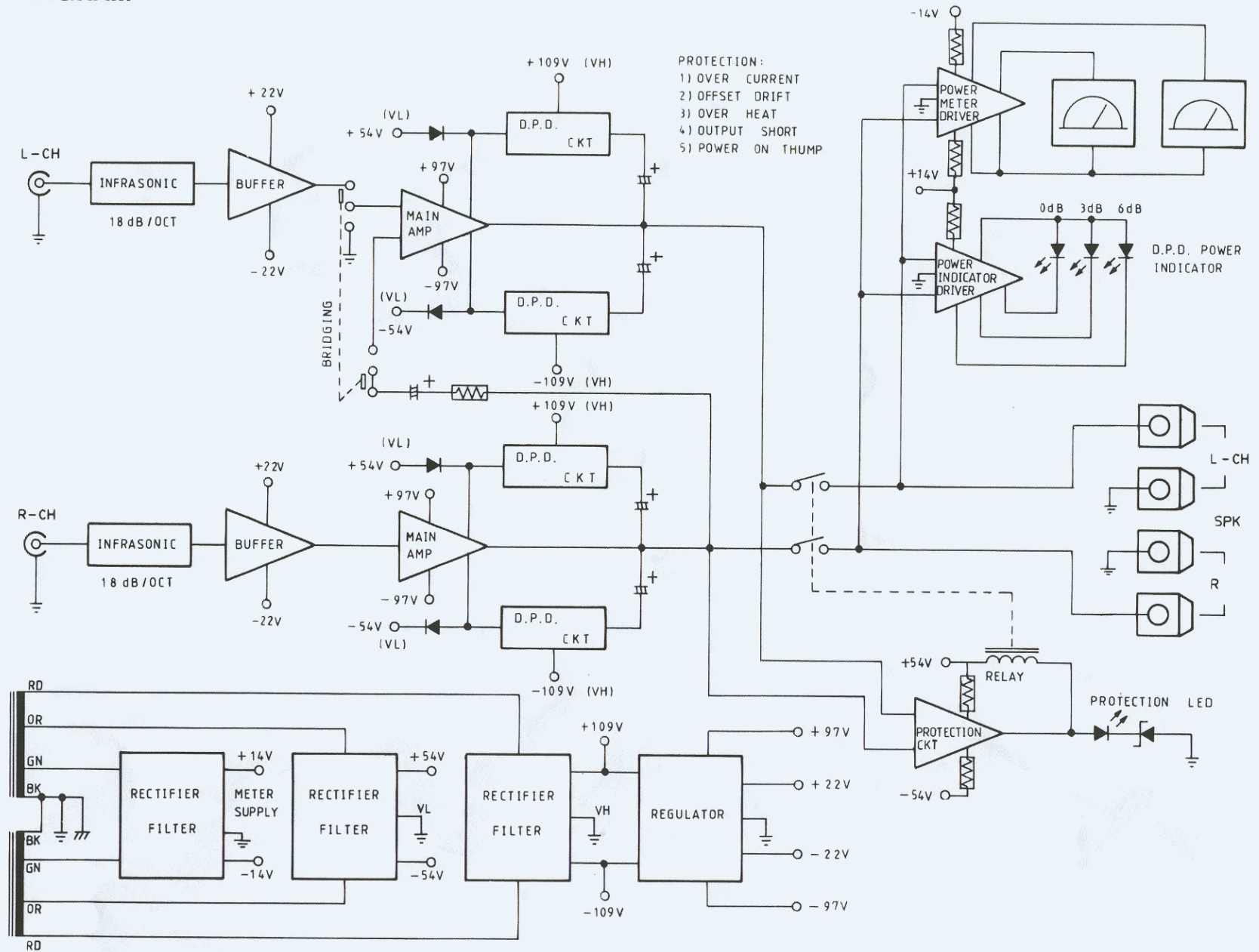
WIRING DIAGRAM



CIRCUIT DIAGRAM



BLOCK DIAGRAM



ALIGNMENT

IDLE CURRENT ALIGNMENT

1. Turn VR603, VR604 to fully counter clockwise position.
2. Remove the load from speaker terminals.
3. Push on POWER for 5 minutes pre-heating.
4. Connect DC millivolt-meter across R651 for left channel R652 for right channel. The meter sensitivity should be set at 100mV full scale deflection.
5. Adjust VR603 (left channel) and VR604 (right channel) till the reading from meter is between 2.5mV and 5.0mV the alignment is completed.

OFFSET ALIGNMENT

1. Remove the load from speaker terminals.
2. Push on POWER for 5 minutes pre-heating.
3. Connect a DC millivolt-meter to speaker terminals of each channel. The meter sensitivity should be set at 100mV full scale deflection. The positive input of the meter should be connected to the red (+) speaker terminal.
4. Adjust VR601 (left channel) and VR602 (right channel) till the meter reading is zero. The alignments is completed.