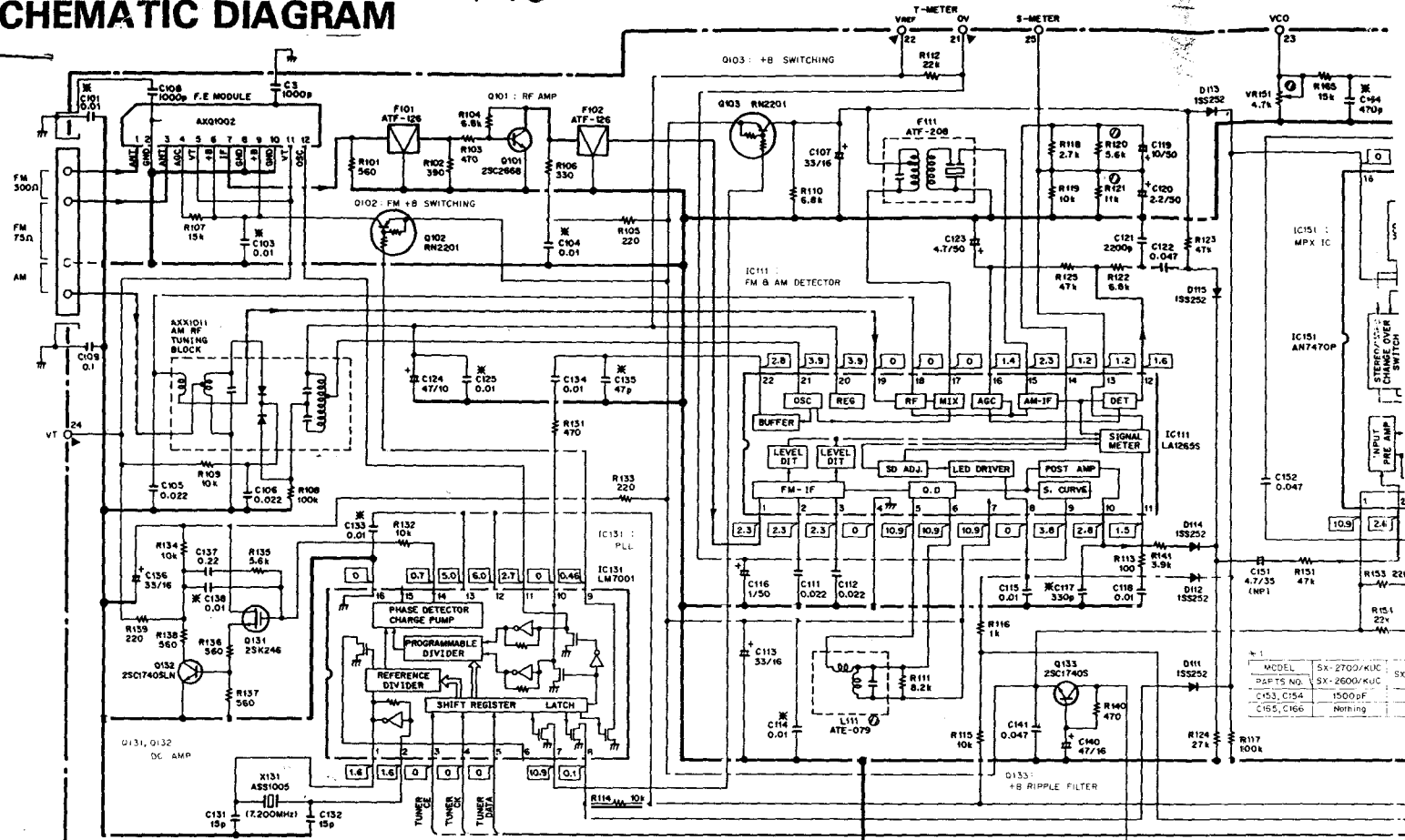
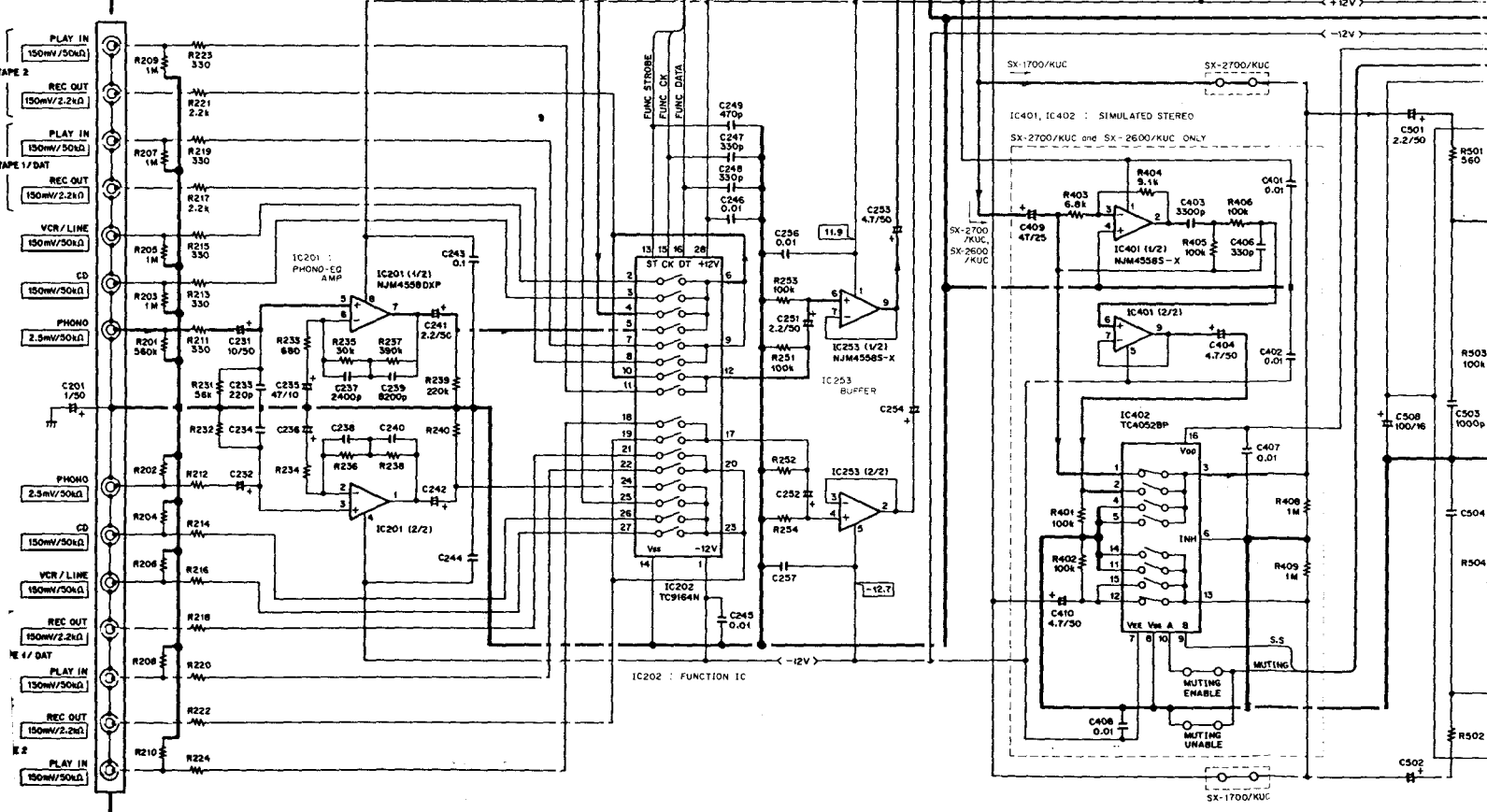


SCHEMATIC DIAGRAM

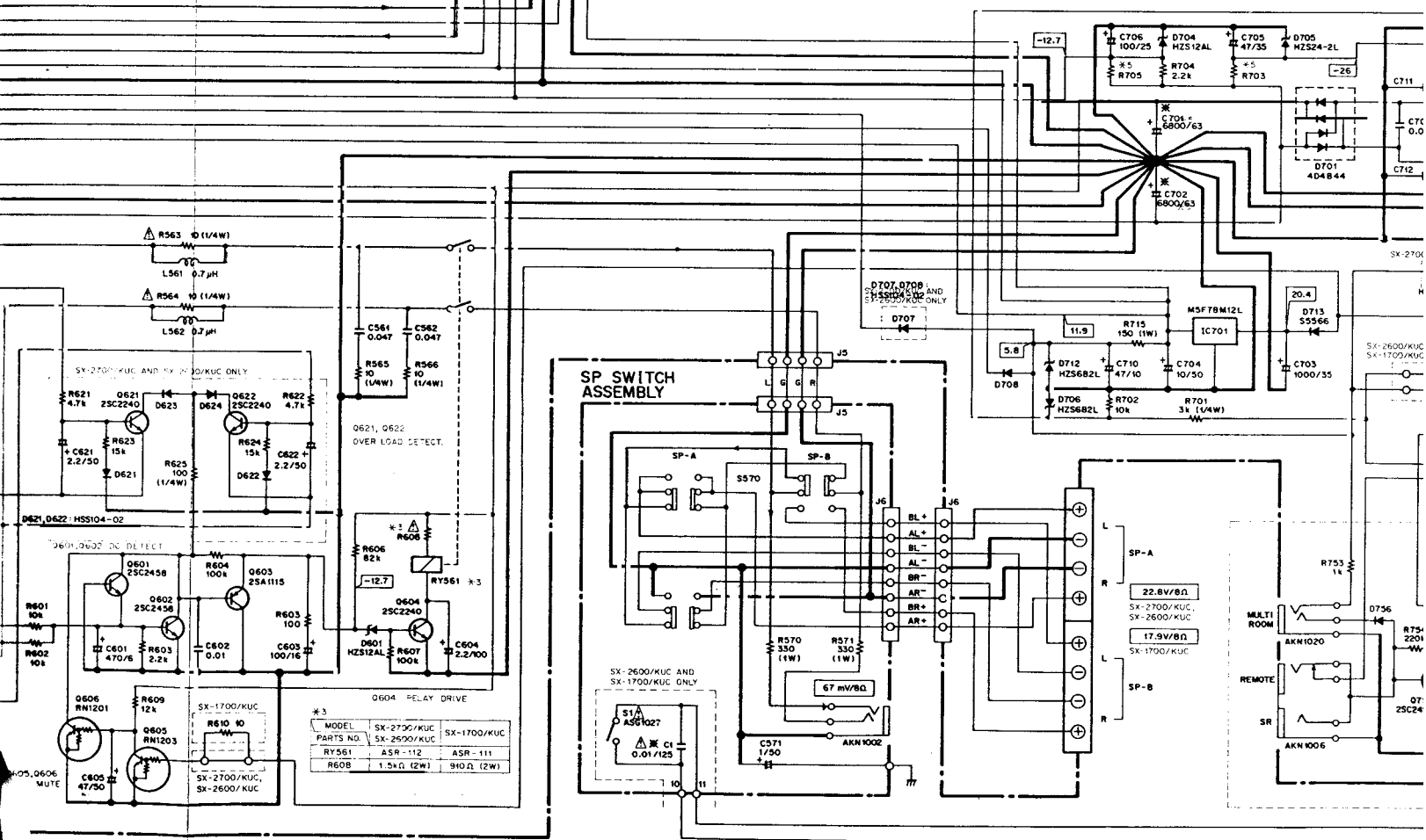
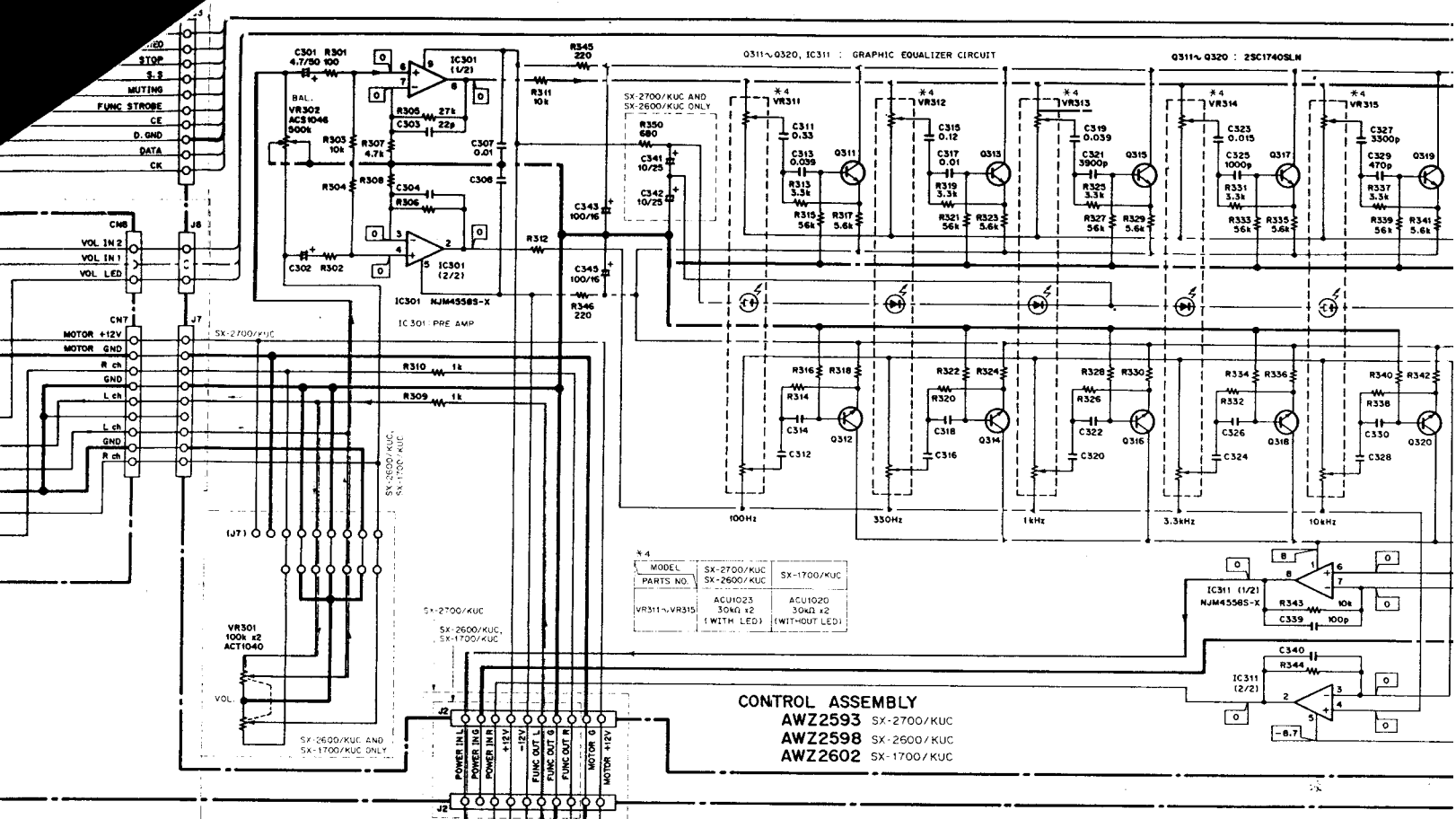


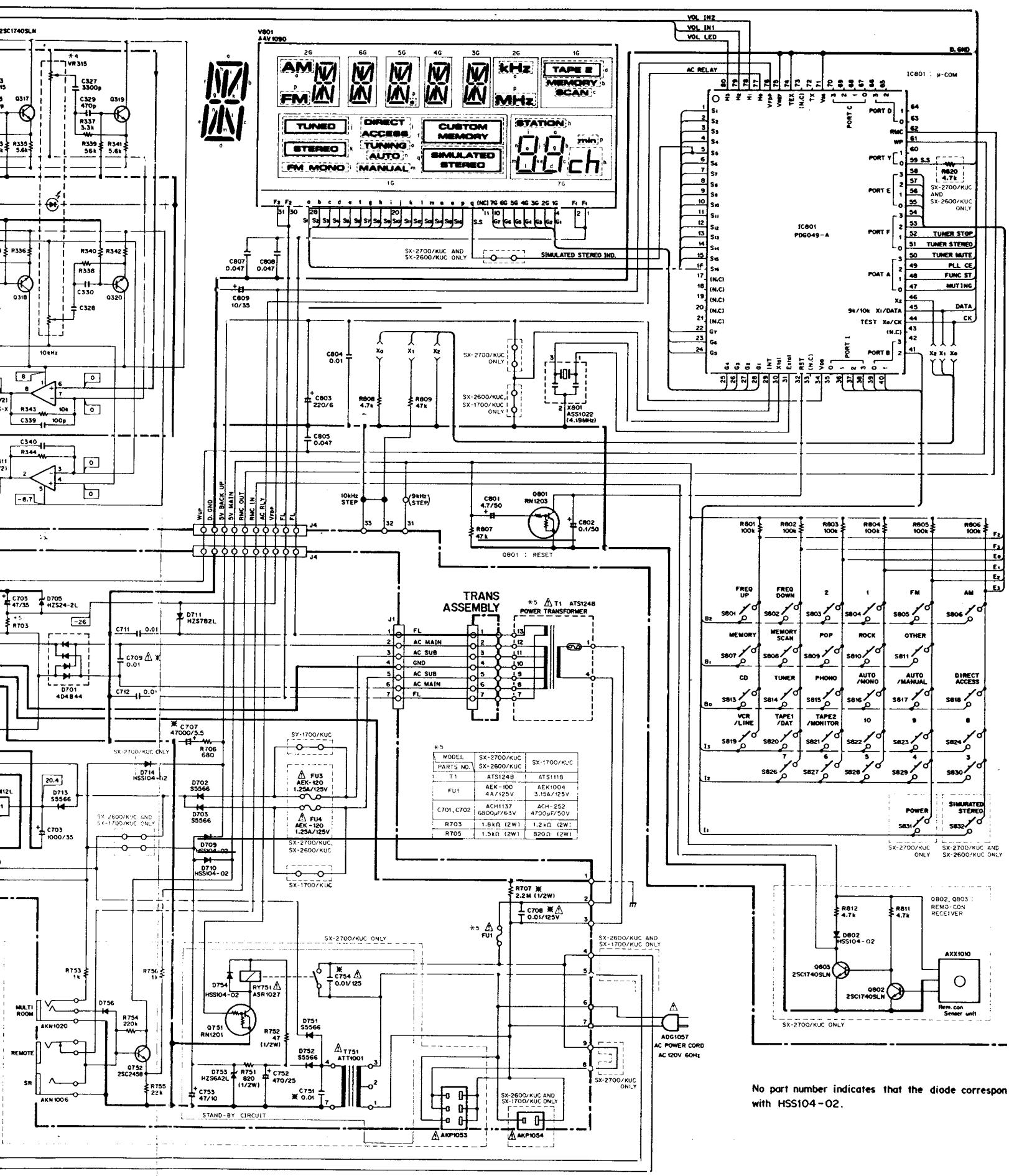
**COMPLEX ASSEMBLY**  
 AWZ2592 SX-2700/KUC  
 AWZ2597 SX-2600/KUC  
 AWZ2601 SX-1700/KUC



MODEL	SX-2700/KUC	SX-
PARTS NO.	SX-2600/KUC	SX-
C153, C154	1500P	
C155, C156	Nothing	







No part number indicates that the diode correspond with HSS104-02.