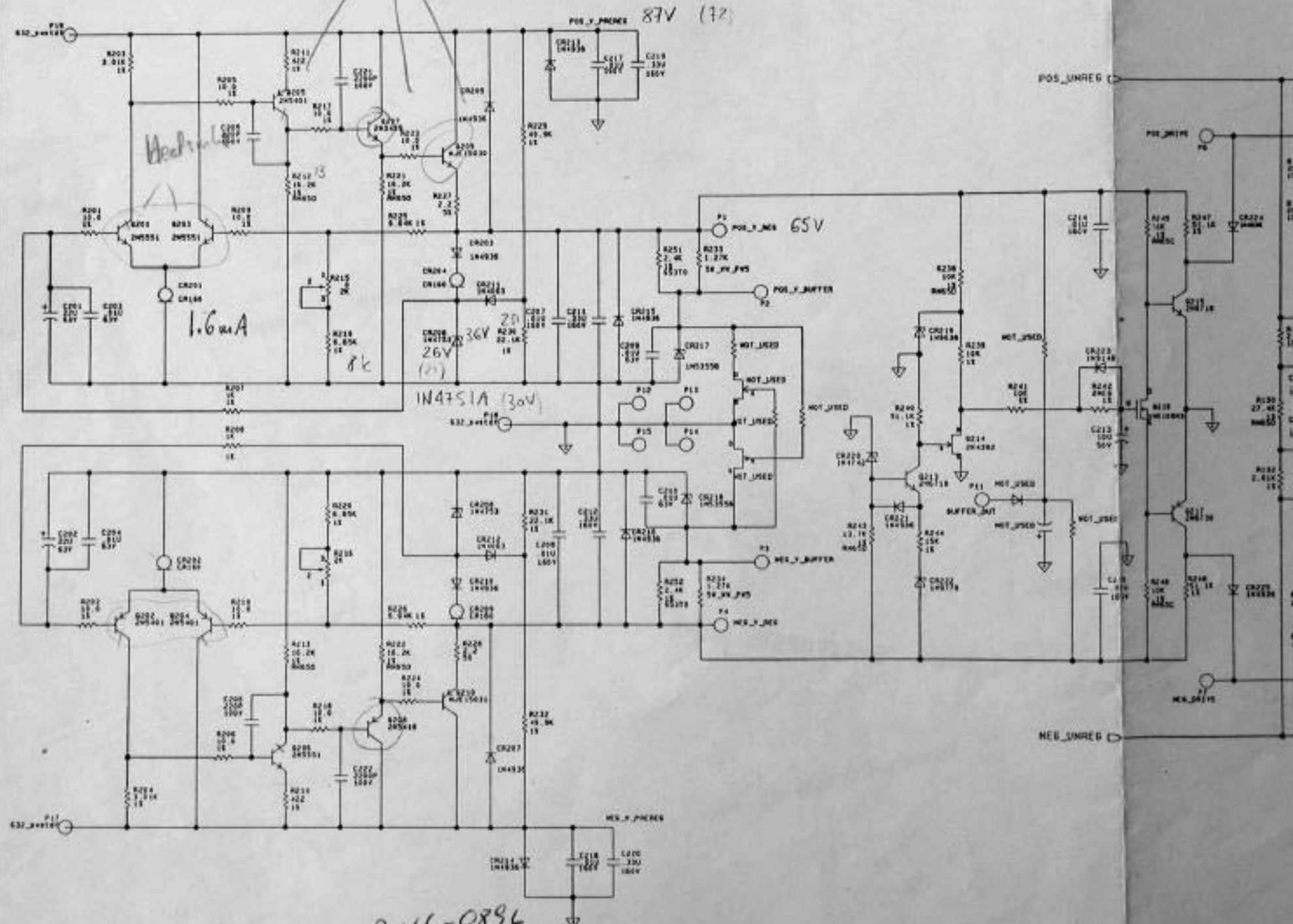
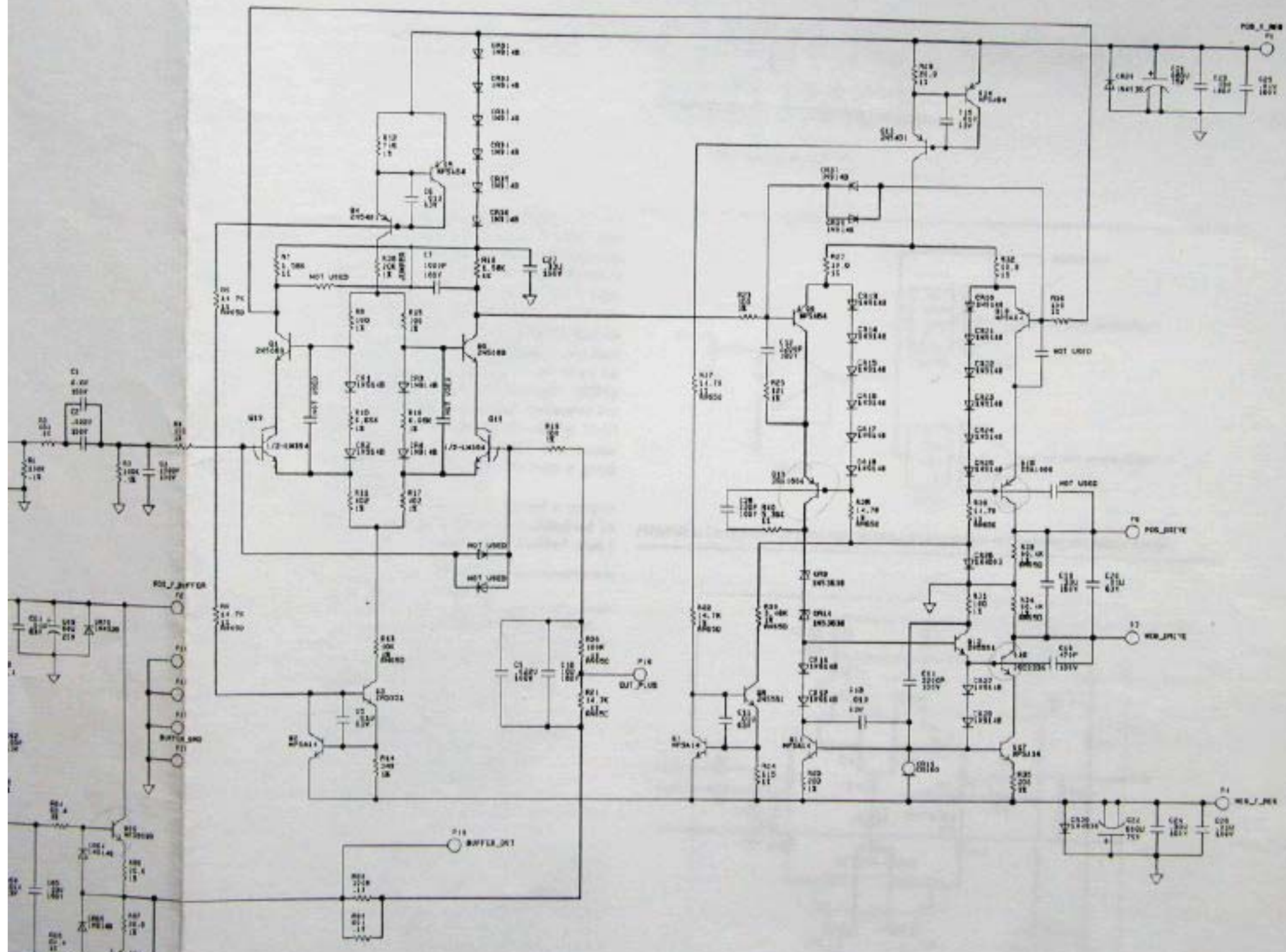
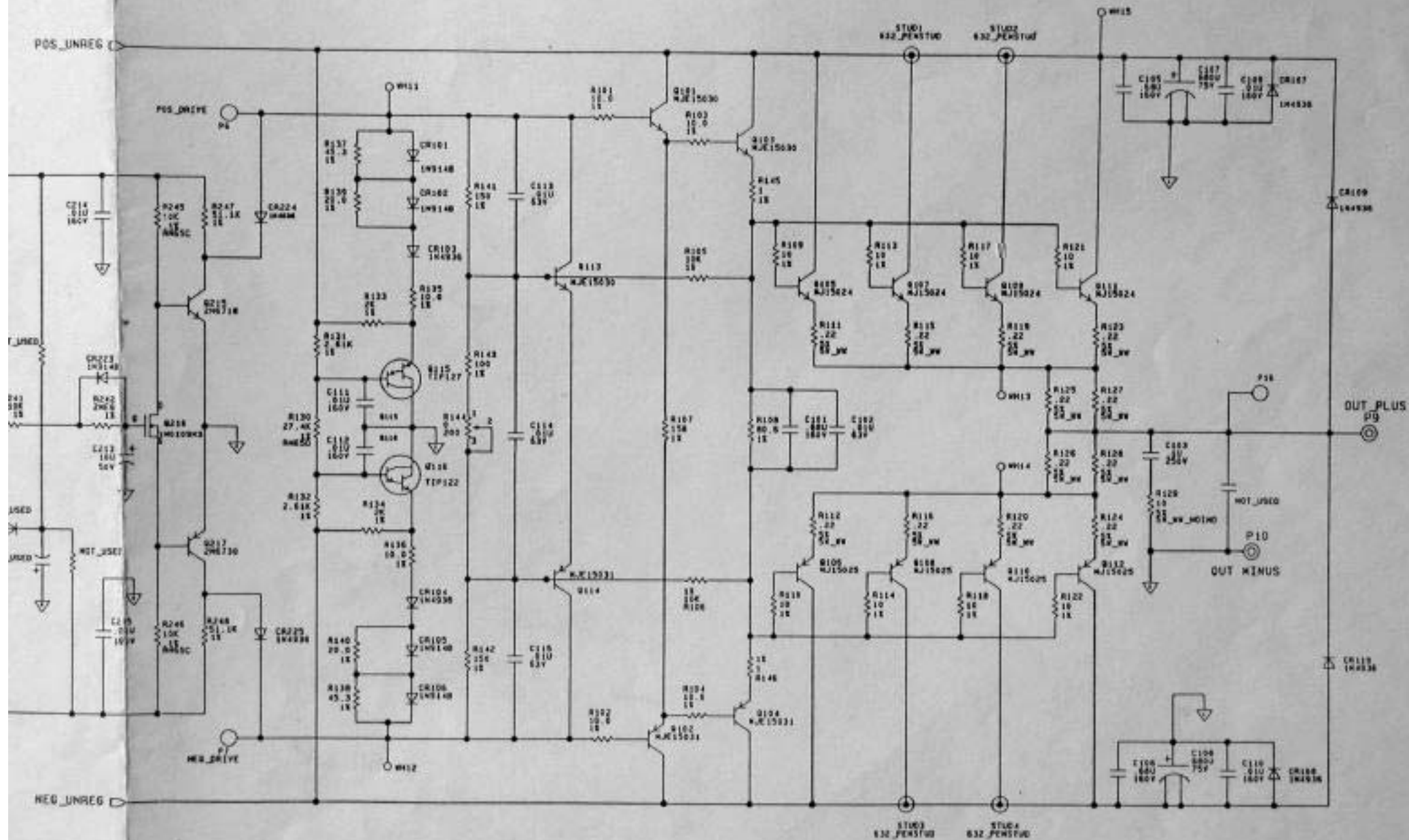


Heat sinks

TO VBI PROTECTION TRIP







ORIGINAL DC MED	
Part No.	580185A
Rev.	
Printed	940777A