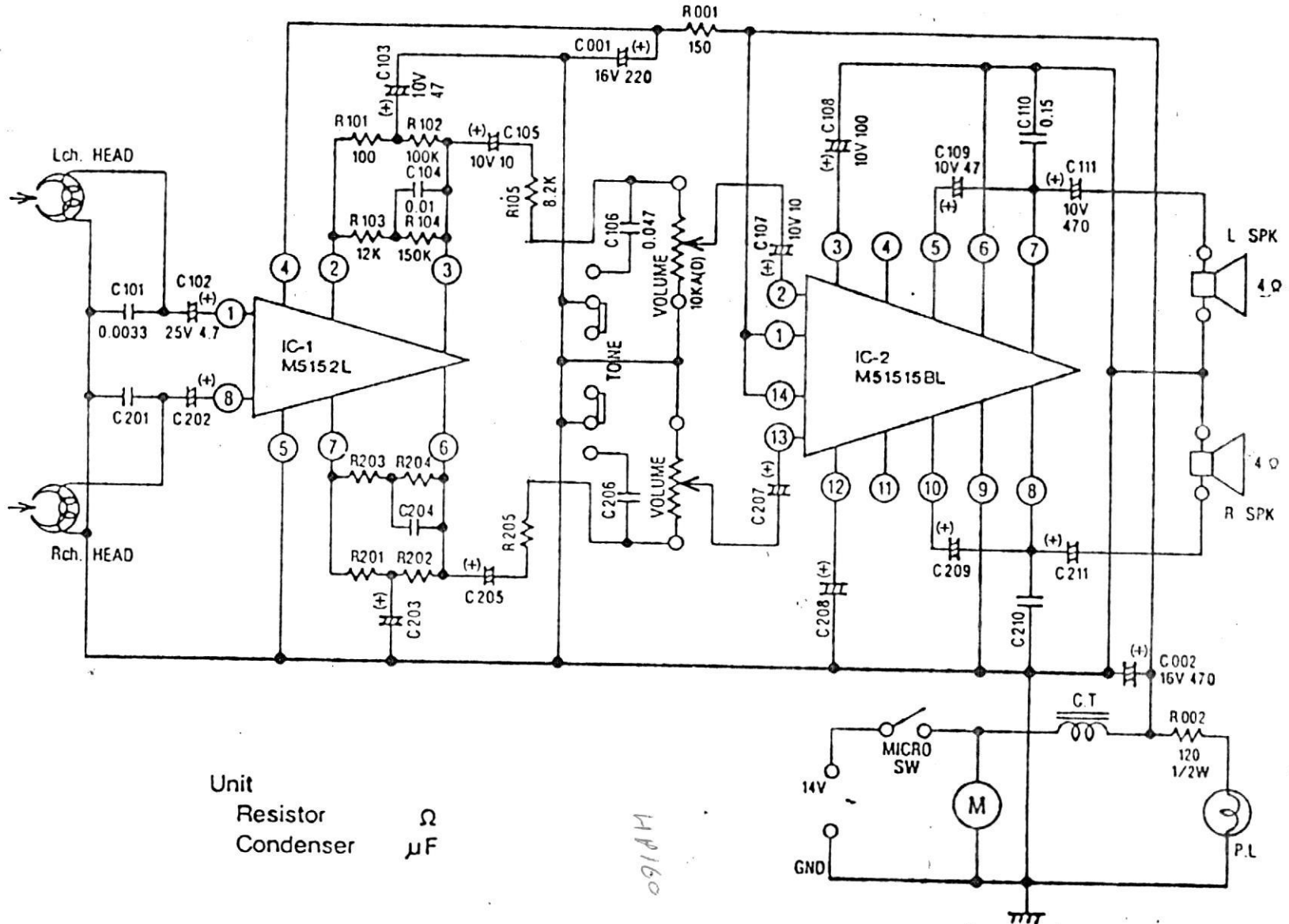


SCHEMATIC DIAGRAM



Unit
Resistor Ω
Condenser μF

HP160

PS 2.88
A00 395-312-34

5.5W AP P.O.
13.2V RL=42 P.D. THD
Pd=31W

MS1515L