

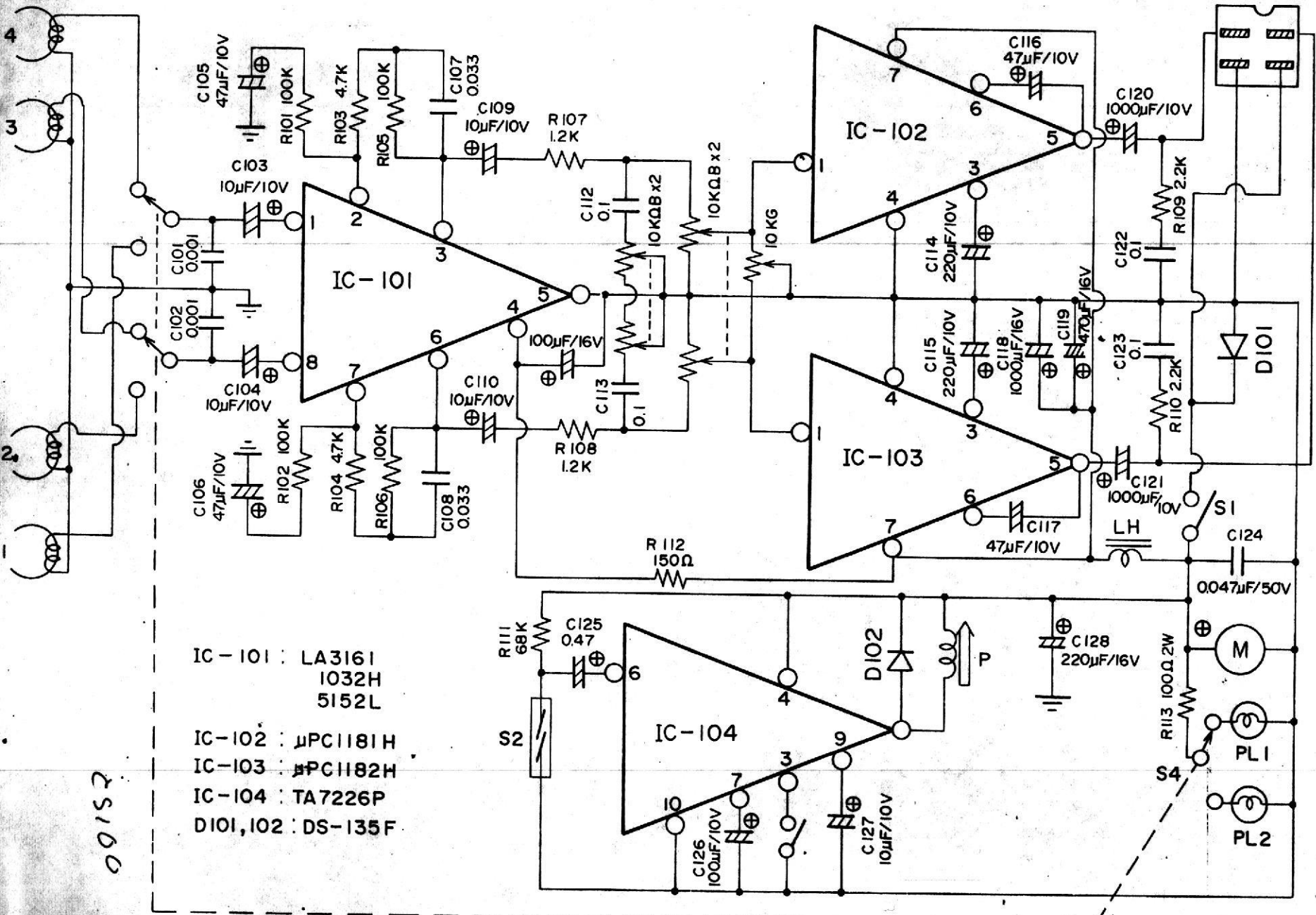
AF. P.O. S.F.W 13.2V 3A
 V_b = 58db
 T_{21b} = 1.3³6

CIRCUIT DIAGRAM

PS - 1.412a.

UPC 1181H
 UPC 1182H

CS 106
 HP 160



00152