

FM MPX

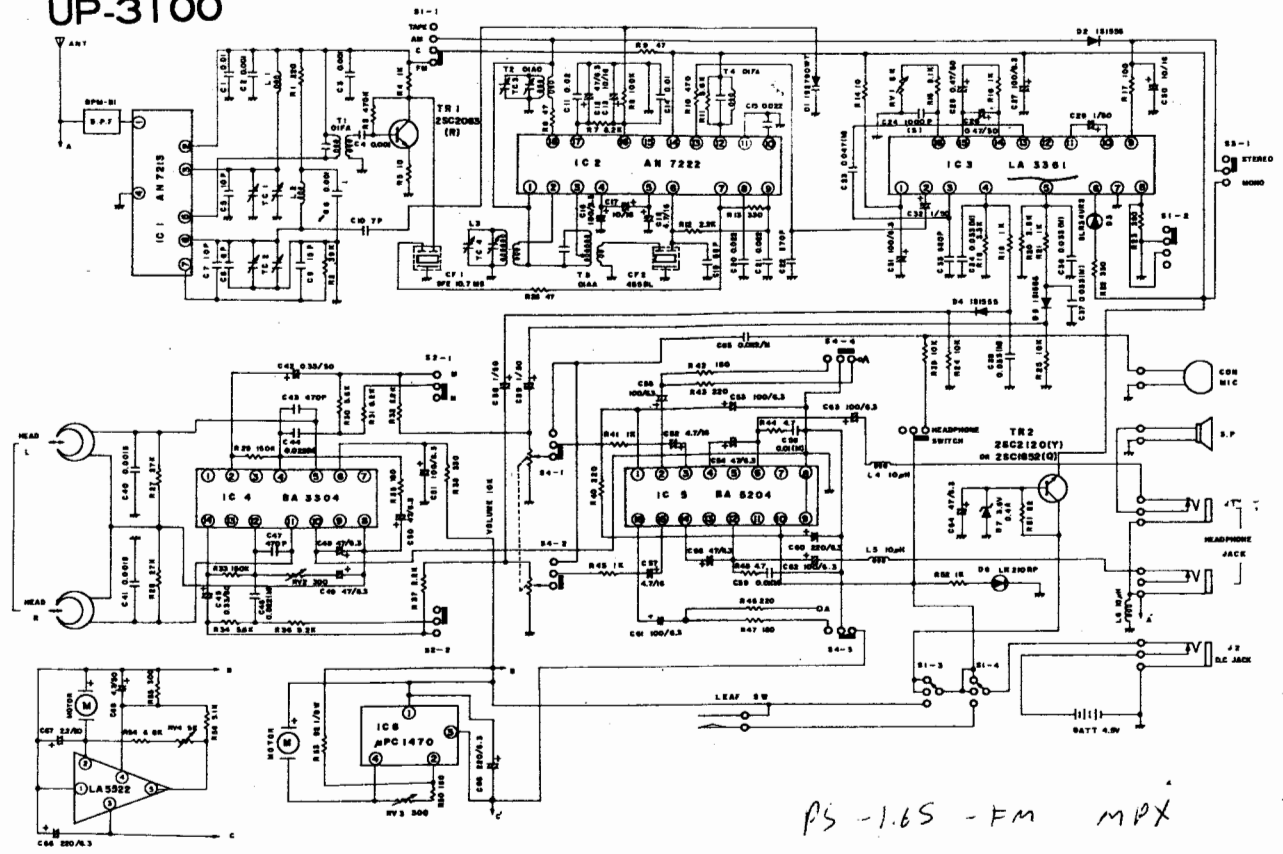
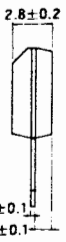
LA3361

1.55

M930R

# 6. SCHEMATIC DIAGRAM

## UP-3100



PS-1.6S - FM MPX

6V 40mA 400mW

SAME PIN OUT AS