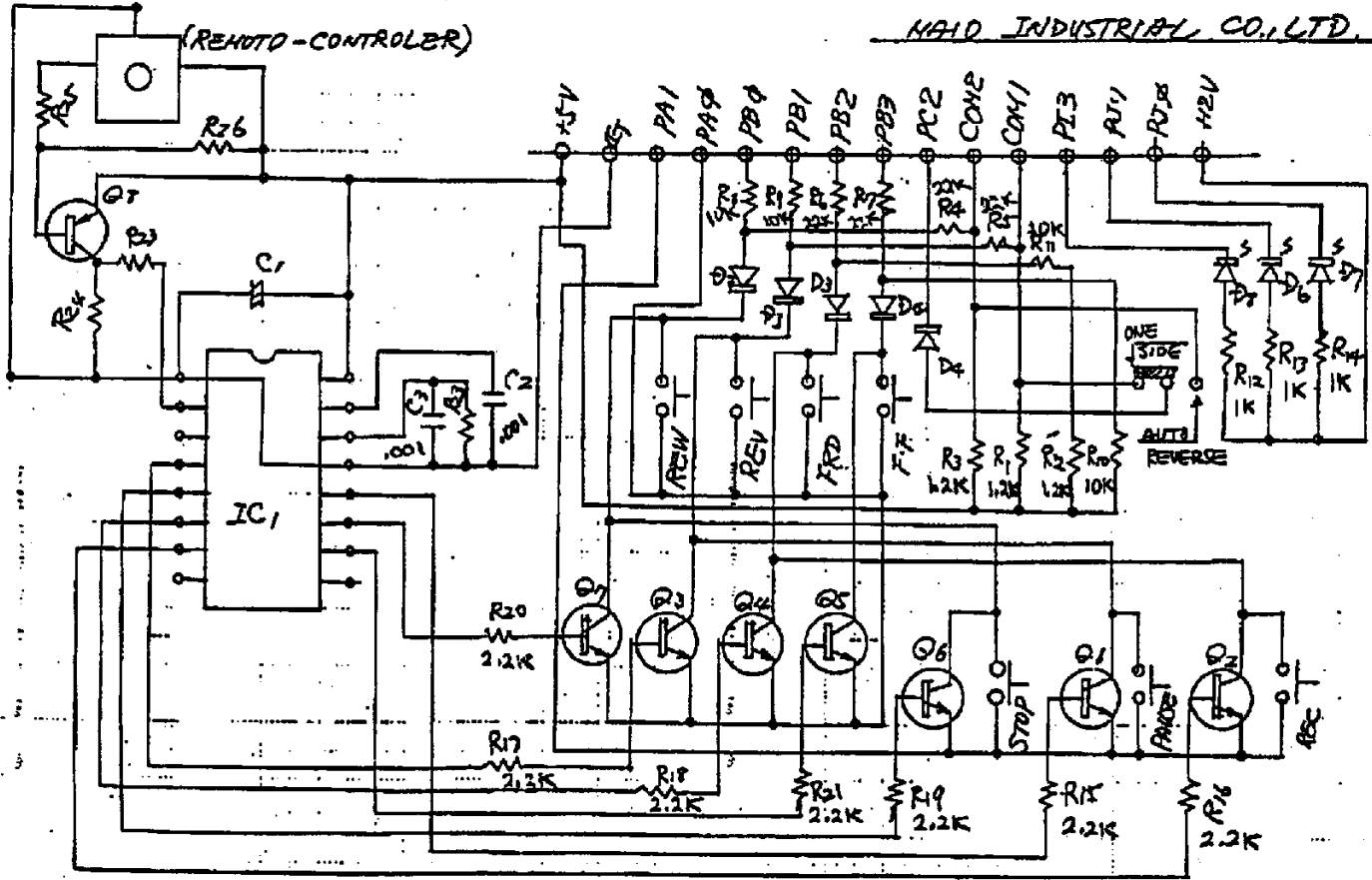


# KEY BOARD CONTROLLER

## CIRCUIT DIAGRAM (TENTATIVE)

12-1-1987

HAID INDUSTRIAL CO., LTD.



6/20/85

1

I received the GR-8000 Cassette Tape Mechanism you sent to BTM Music. I am building the unit to use it now. However, there are some parts values missing. These are on the page marked "Key Board Controller Circuit Diagram". In specific I need the values for R1 = 1.2K

R2 = 1.2K

R3 = 1.2K

R4 = 22K

R5 = 22K

R6 = 22K

R7 = 22K

R8 = 10K

R9 = 10K

R10 = 10K

R11 = 10K