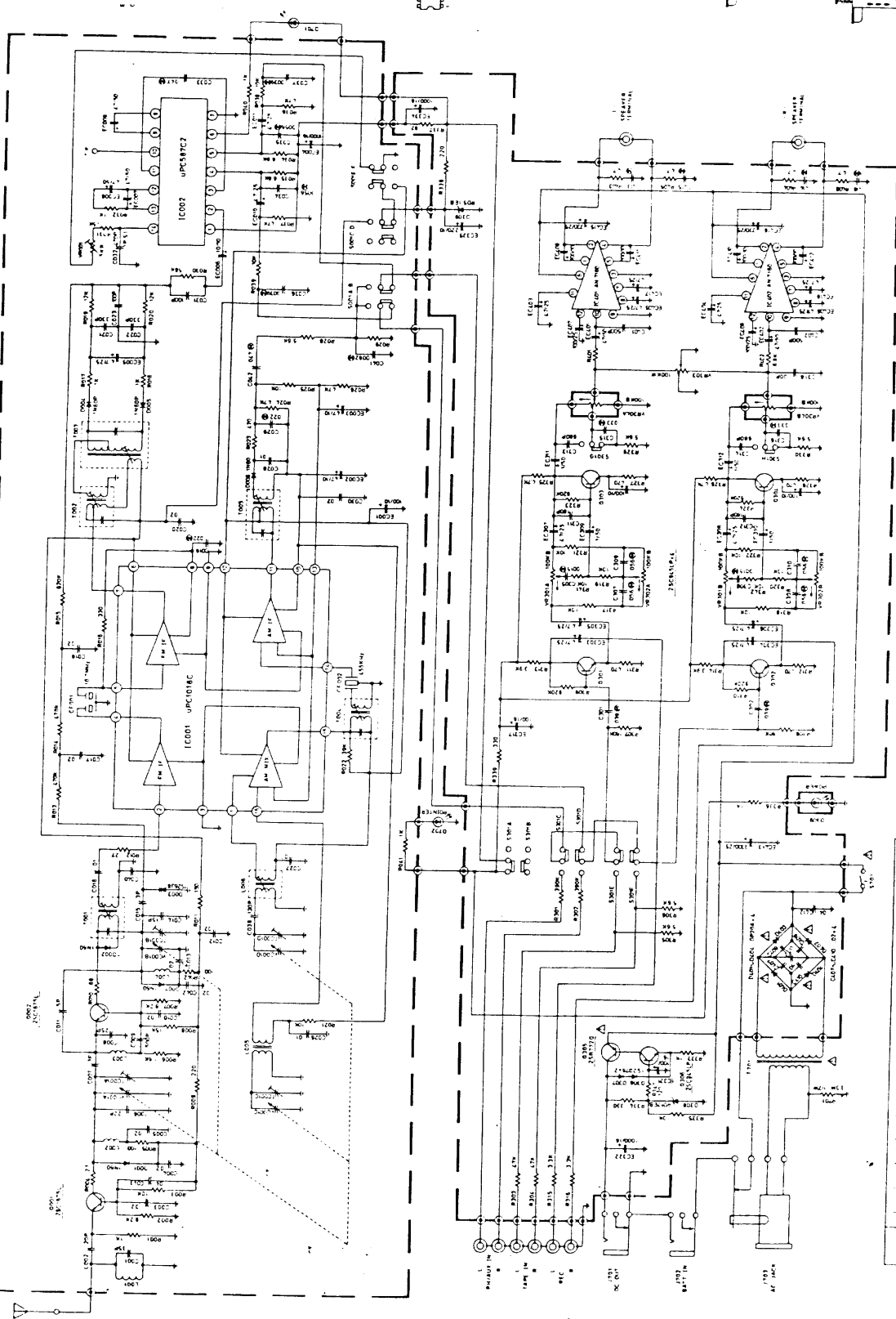


SCHEMATIC DIAGRAM

PIN 14, 17, 50

AN7160
RTL AMP

HELI X 10x450



- NOTES**
- 1) ALL RESISTORS ARE 1/4W 5% UNLESS OTHERWISE SPECIFIED.
 - 2) ALL CAPACITORS ARE 50V UNLESS OTHERWISE SPECIFIED.
 - 3) ALL IC'S ARE IN THE ACTIVE MODE UNLESS OTHERWISE SPECIFIED.
 - 4) ALL IC'S ARE IN THE ACTIVE MODE UNLESS OTHERWISE SPECIFIED.
 - 5) ALL IC'S ARE IN THE ACTIVE MODE UNLESS OTHERWISE SPECIFIED.
 - 6) ALL IC'S ARE IN THE ACTIVE MODE UNLESS OTHERWISE SPECIFIED.
 - 7) ALL IC'S ARE IN THE ACTIVE MODE UNLESS OTHERWISE SPECIFIED.
 - 8) ALL IC'S ARE IN THE ACTIVE MODE UNLESS OTHERWISE SPECIFIED.
 - 9) ALL IC'S ARE IN THE ACTIVE MODE UNLESS OTHERWISE SPECIFIED.
 - 10) ALL IC'S ARE IN THE ACTIVE MODE UNLESS OTHERWISE SPECIFIED.

REF. NO.	DESCRIPTION	QTY.	UNIT
1	RESISTOR 10K	10	PC
2	RESISTOR 1K	10	PC
3	RESISTOR 100K	10	PC
4	RESISTOR 100K	10	PC
5	RESISTOR 100K	10	PC
6	RESISTOR 100K	10	PC
7	RESISTOR 100K	10	PC
8	RESISTOR 100K	10	PC
9	RESISTOR 100K	10	PC
10	RESISTOR 100K	10	PC
11	RESISTOR 100K	10	PC
12	RESISTOR 100K	10	PC
13	RESISTOR 100K	10	PC
14	RESISTOR 100K	10	PC
15	RESISTOR 100K	10	PC
16	RESISTOR 100K	10	PC
17	RESISTOR 100K	10	PC
18	RESISTOR 100K	10	PC
19	RESISTOR 100K	10	PC
20	RESISTOR 100K	10	PC
21	RESISTOR 100K	10	PC
22	RESISTOR 100K	10	PC
23	RESISTOR 100K	10	PC
24	RESISTOR 100K	10	PC
25	RESISTOR 100K	10	PC
26	RESISTOR 100K	10	PC
27	RESISTOR 100K	10	PC
28	RESISTOR 100K	10	PC
29	RESISTOR 100K	10	PC
30	RESISTOR 100K	10	PC
31	RESISTOR 100K	10	PC
32	RESISTOR 100K	10	PC
33	RESISTOR 100K	10	PC
34	RESISTOR 100K	10	PC
35	RESISTOR 100K	10	PC
36	RESISTOR 100K	10	PC
37	RESISTOR 100K	10	PC
38	RESISTOR 100K	10	PC
39	RESISTOR 100K	10	PC
40	RESISTOR 100K	10	PC
41	RESISTOR 100K	10	PC
42	RESISTOR 100K	10	PC
43	RESISTOR 100K	10	PC
44	RESISTOR 100K	10	PC
45	RESISTOR 100K	10	PC
46	RESISTOR 100K	10	PC
47	RESISTOR 100K	10	PC
48	RESISTOR 100K	10	PC
49	RESISTOR 100K	10	PC
50	RESISTOR 100K	10	PC
51	RESISTOR 100K	10	PC
52	RESISTOR 100K	10	PC
53	RESISTOR 100K	10	PC
54	RESISTOR 100K	10	PC
55	RESISTOR 100K	10	PC
56	RESISTOR 100K	10	PC
57	RESISTOR 100K	10	PC
58	RESISTOR 100K	10	PC
59	RESISTOR 100K	10	PC
60	RESISTOR 100K	10	PC
61	RESISTOR 100K	10	PC
62	RESISTOR 100K	10	PC
63	RESISTOR 100K	10	PC
64	RESISTOR 100K	10	PC
65	RESISTOR 100K	10	PC
66	RESISTOR 100K	10	PC
67	RESISTOR 100K	10	PC
68	RESISTOR 100K	10	PC
69	RESISTOR 100K	10	PC
70	RESISTOR 100K	10	PC
71	RESISTOR 100K	10	PC
72	RESISTOR 100K	10	PC
73	RESISTOR 100K	10	PC
74	RESISTOR 100K	10	PC
75	RESISTOR 100K	10	PC
76	RESISTOR 100K	10	PC
77	RESISTOR 100K	10	PC
78	RESISTOR 100K	10	PC
79	RESISTOR 100K	10	PC
80	RESISTOR 100K	10	PC
81	RESISTOR 100K	10	PC
82	RESISTOR 100K	10	PC
83	RESISTOR 100K	10	PC
84	RESISTOR 100K	10	PC
85	RESISTOR 100K	10	PC
86	RESISTOR 100K	10	PC
87	RESISTOR 100K	10	PC
88	RESISTOR 100K	10	PC
89	RESISTOR 100K	10	PC
90	RESISTOR 100K	10	PC
91	RESISTOR 100K	10	PC
92	RESISTOR 100K	10	PC
93	RESISTOR 100K	10	PC
94	RESISTOR 100K	10	PC
95	RESISTOR 100K	10	PC
96	RESISTOR 100K	10	PC
97	RESISTOR 100K	10	PC
98	RESISTOR 100K	10	PC
99	RESISTOR 100K	10	PC
100	RESISTOR 100K	10	PC