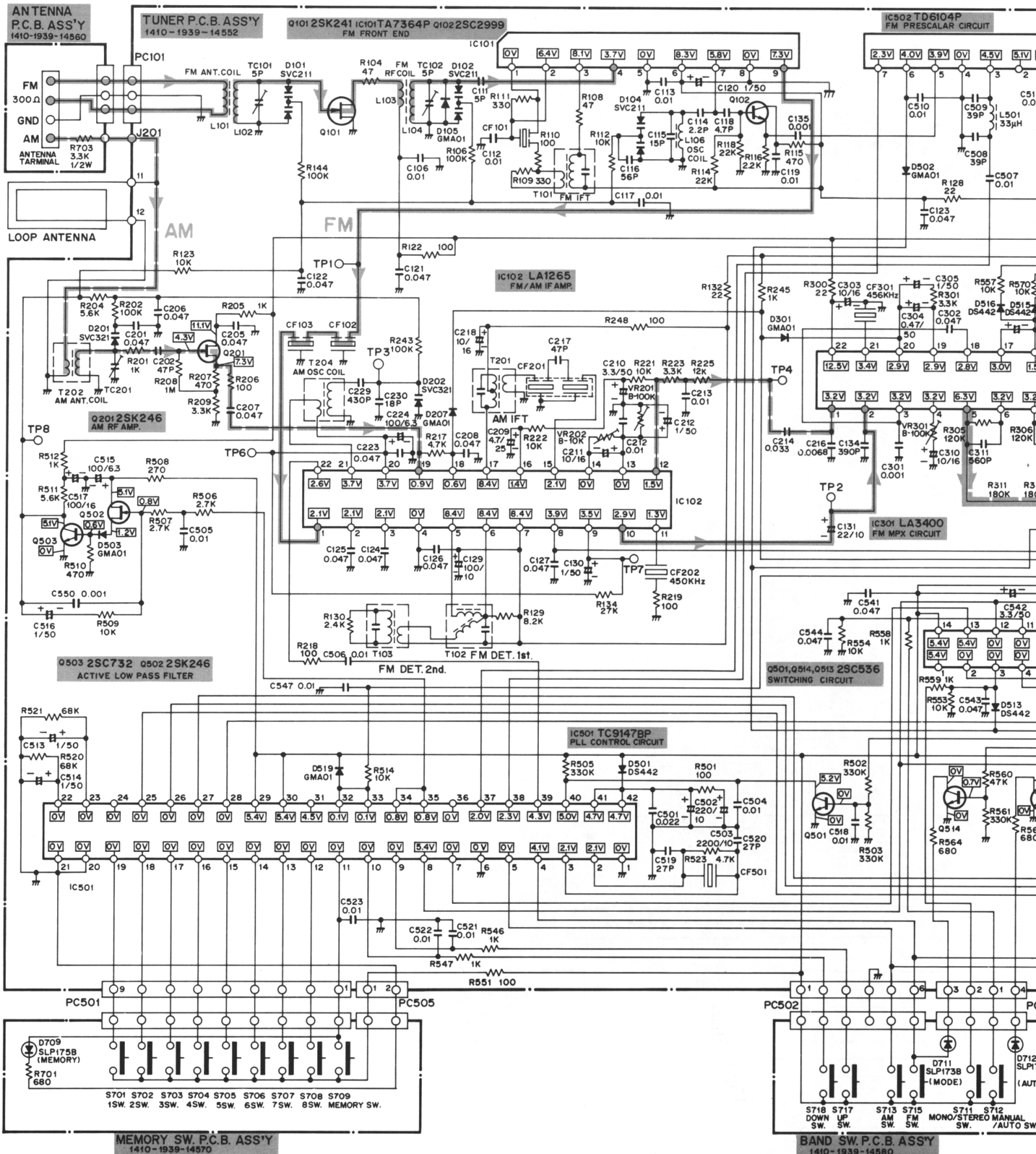


# SCHEMATIC DIAGRAM

## Fisher FM-860 / FM-864



# SCHEMATIC DIAGRAM

