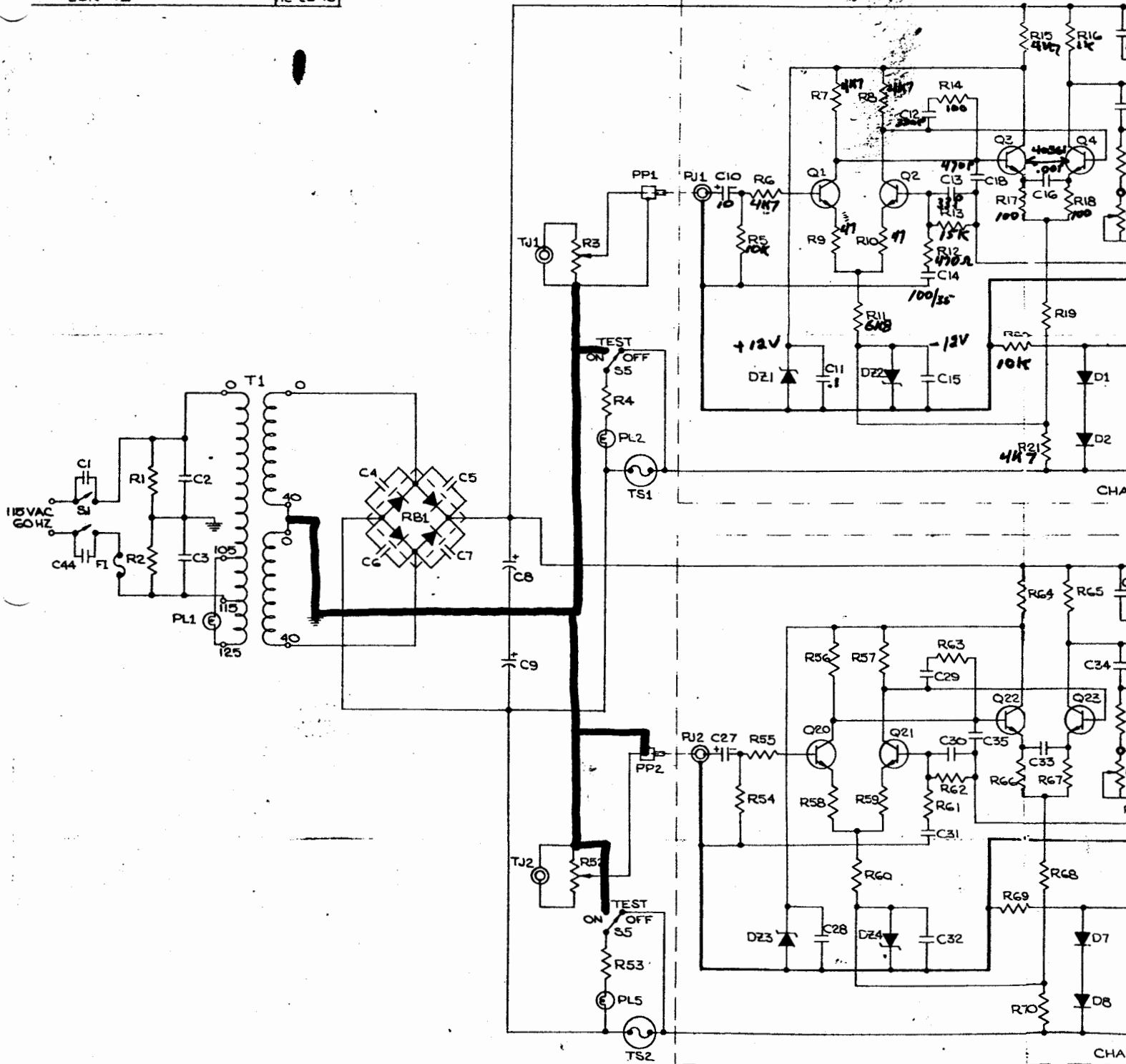
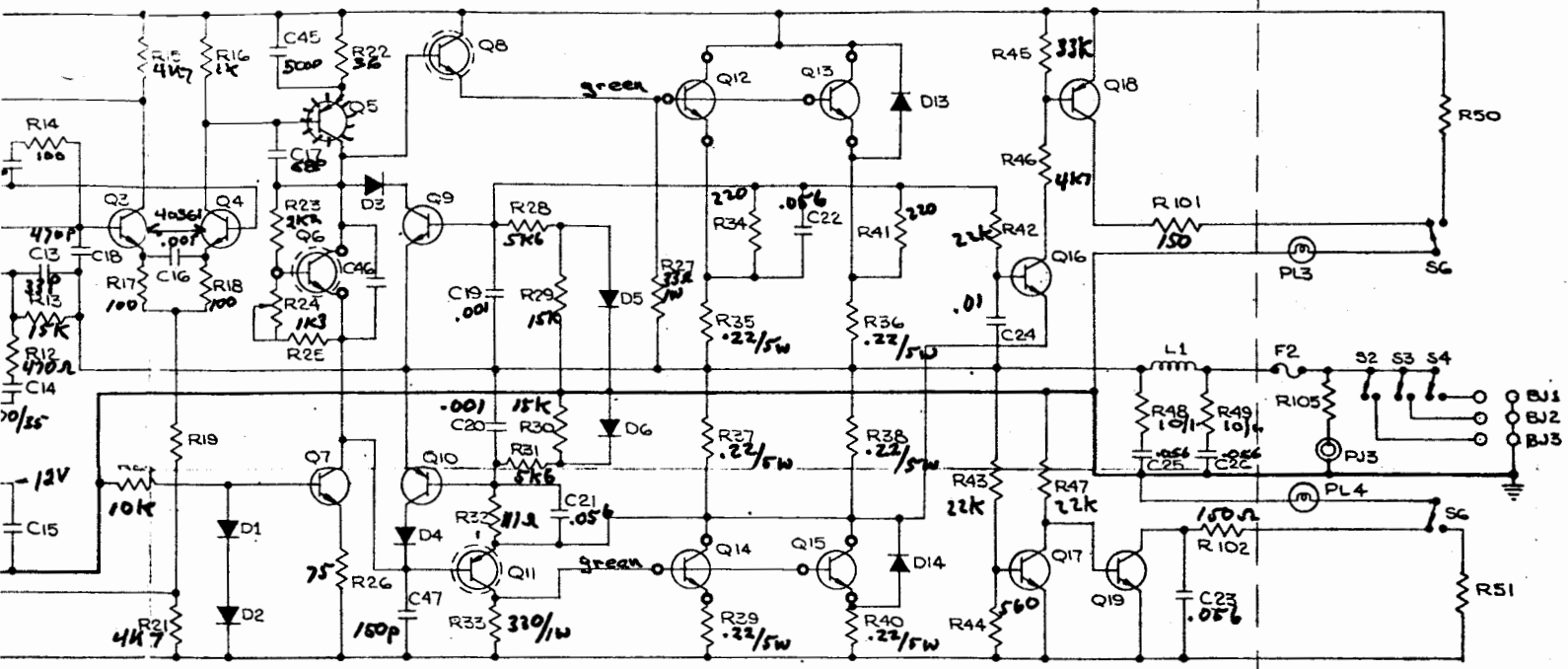
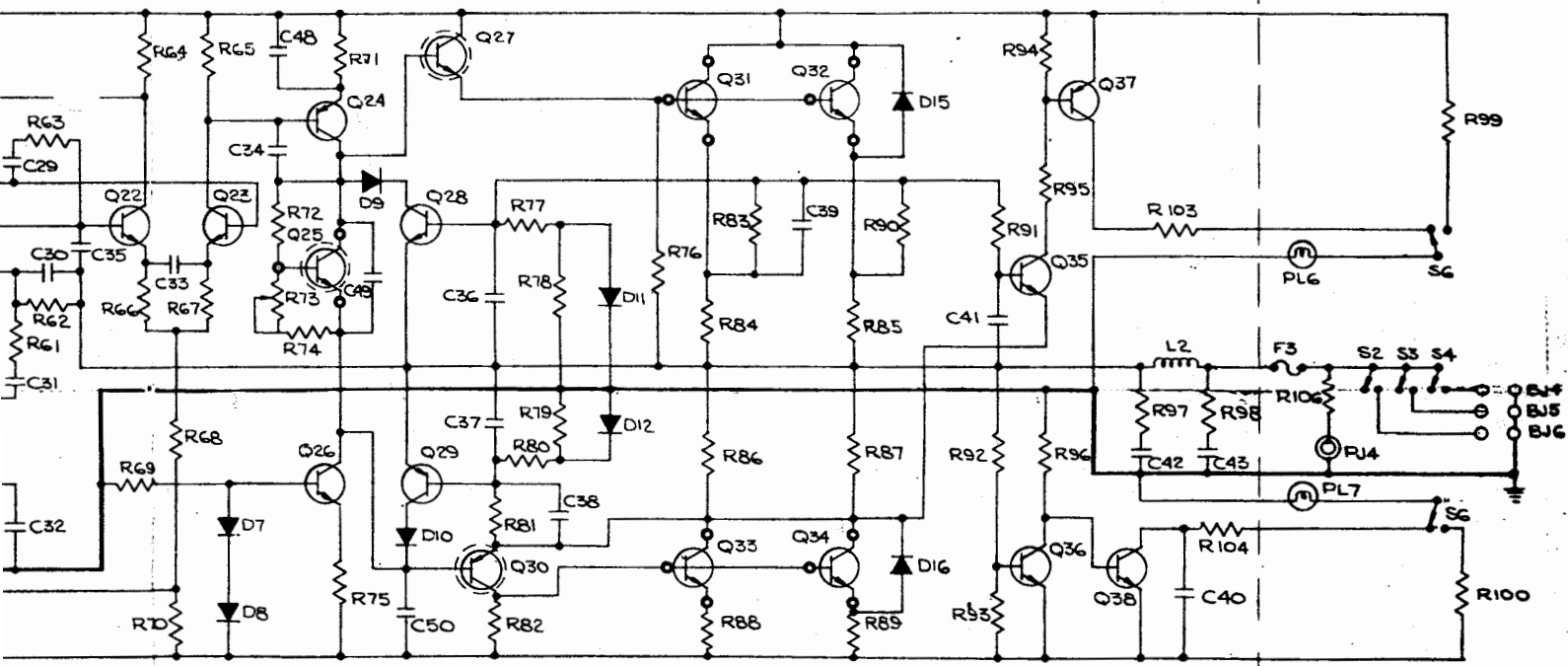


REV	DESCRIPTION	DATE
A	CHANNEL 'B' ADDED TO UWG	9-28-73
B	ECN #11	12-17-73
	ECN #12	12-26-73





CHANNEL 'A' PC BOARD



CHANNEL 'B' PC BOARD

NOTE:  
 ALL COMPONENTS LOCATED WITHIN DASHED  
 LINE ARE PC BOARD MOUNTED EXCEPT  
 Q6, Q12, Q13, Q14, Q15, Q25, Q31, Q32, Q33, Q34

EPICURE PRODUCTS, INC.  
 1 CHARLES STREET, NEWBURYPORT, MASS

SCALE: DATE: 9-28-73 APPROVED BY: GFD DRAWN BY:

POWER AMPLIFIER SCHEMATIC

10087/C