

RESISTANCE READINGS

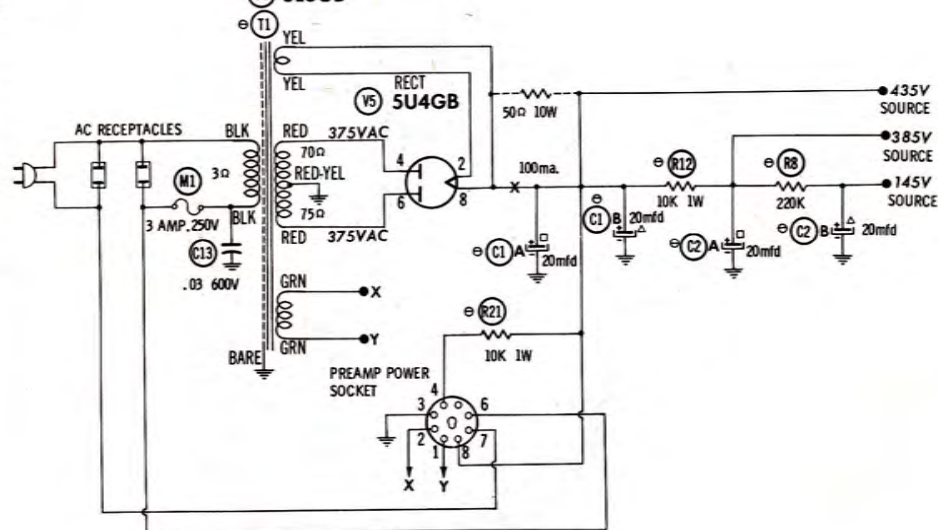
ITEM	TUBE	Pin 1	Pin 2	Pin 3	Pin 4	Pin 5	Pin 6	Pin 7	Pin 8	Pin 9
V1	EF86 6267	†700K	0Ω	1200Ω	INF	INF	†330K	0Ω	1200Ω	10K
V2	6SN7GTB	†1.3meg	†43K	18K	†330K	†37K	18K	INF	INF	
V3	6L6GB	0Ω	INF	†140Ω	†65Ω	120K	TP	INF	350Ω	
V4	6L6GB	0Ω	INF	†155Ω	†60Ω	120K	TP	INF	350Ω	
V5	5U4GB	NC	†	NC	70Ω	NC	75Ω	NC	†	

† THIS READING WILL VARY DEPENDING UPON THE CONDITION OF THE ELECTROLYTIC IN THE C1 CIRCUIT.  
 † MEASURED FROM PIN 8 OF V5.  
 NC NO CONNECTION TP TIE POINT

- DC voltage measurements taken with vacuum tube voltmeter; AC voltages measured at 1000 ohms per volt.
- Socket connections are shown as bottom views.
- Measured values are from socket pin to common negative.
- Line voltage maintained at 117 volts for voltage readings.
- Nominal tolerance of component values makes possible a variation of ±15% in voltage and resistance readings.
- All controls at minimum, proper output load connected.

A PHOTOFAC STANDARD NOTATION SCHEMATIC

©Howard W. Sams & Co., Inc. 1960



SEE PARTS LIST FOR ALTERNATE VALUE OR APPLICATION

DC COIL RESISTANCE VALUES UNDER ONE OHM NOT SHOWN ON SCHEMATIC DIAGRAM

EICO MODELS  
HF-22, HF-35

# PARTS LIST AND DESCRIPTIONS

## TUBES

ITEM No.	USE	TYPE	• CBS • GENERAL ELECTRIC • RAYTHEON • SYLVANIA •		
			ITEM No.	USE	TYPE
V1	AF Amp.	EF86/6267	V4	Output Rectifier	6L6GB (GZ34) *
V2	AF Amp.	6SN7GTB			
V3	Output	6L6GB			

\* Used in Model HF-35.

## ELECTROLYTIC CAPACITORS

ITEM No.	RATING		REPLACEMENT DATA						NOTES
	CAP.	VOLT.	EICO PART No.	AEROVOX PART No.	CORNELL-DUBILIER PART No.	MALLORY PART No.	PYRAMID PART No.	SPRAGUE PART No.	
C1A	20	450	24001①	AFH2-51	B0400	FP234	TMD-50	TVL-2755	
C1B	20	450							
C2A	20	450	24001①	AFH2-51	B0400	FP234	TMD-50	TVL-2755	
C2B	20	450							
C3	50	25	23007	SRE25V50	BBR50-25	TC29	TD-50-25	TE-1209	
C4	50	50	23011	PRS1350	BR505	TC39	TD-50-50	TVA-1308	

① Model HF-35 uses Part #24007.

## FIXED CAPACITORS

Capacity values given in the rating column are in mfd. for Paper Capacitors, and in mmd. for Mica and Ceramic Capacitors.

ITEM No.	RATING	REMARKS	REPLACEMENT DATA					
			AEROVOX PART No.	CENTRALAB PART No.	CORNELL-DUBILIER PART No.	ELMENCO PART No.	MALLORY PART No.	SPRAGUE PART No.
C5	.05 400V	Note 1	P488N-05	DD-503	CUB4S5	4DP-3-503	GEM-415	4TM-S5
C6	47 10%		DI-47	DD-470	L1Q47	CCD-470	GP447	10TS-Q47
C7	.25 400V 10%		V84C4P25-10%		PM4P25	4DP-5-254	GEM-4025	4TM-P25
C8	.1 400V 10%	Note 2	V84C4P1-10%		PM4P1	4DP-3-104		4TM-P1
C9	.1 400V 10%		V84C4P1-10%		PM4P1	4DP-3-104		4TM-P1
C10	750 10%		DI-750	DD-751	1R5T75	CCD-751	GP375	10TS-T75
C11	850 10%	Note 3	DI-820	DD-821	1R5T85	CCD-821	GP382	10TS-T82
C12	500 10%		DI-500	DD-501	5R5T5	CCD-501	GP350	10TS-T50
C13	.03 600V		P688N-03	DD-303	CUB6S5	6DP-3-303	GEM-613	6TM-S3

Note 1. Model HF-35 uses 100mmf in this application.  
 Note 2. Model HF-35 uses 1500mmf in this application.  
 Note 3. Model HF-35 uses 175mmf in this application.

## CONTROLS

ITEM No.	RATING		REPLACEMENT DATA				INSTALLATION NOTES	
	RESISTANCE	WATTS	EICO PART No.	CENTRALAB PART No.	CLAROSTAT PART No.	CTS-IRC PART No.		MALLORY PART No.
R1A	1meg	1/2	16016	AB-70	A47-1meg-Z	B13-137	U53	Audio Level
B	Shaft		AK-1		FKS-1/4	SK2	Not Req.	

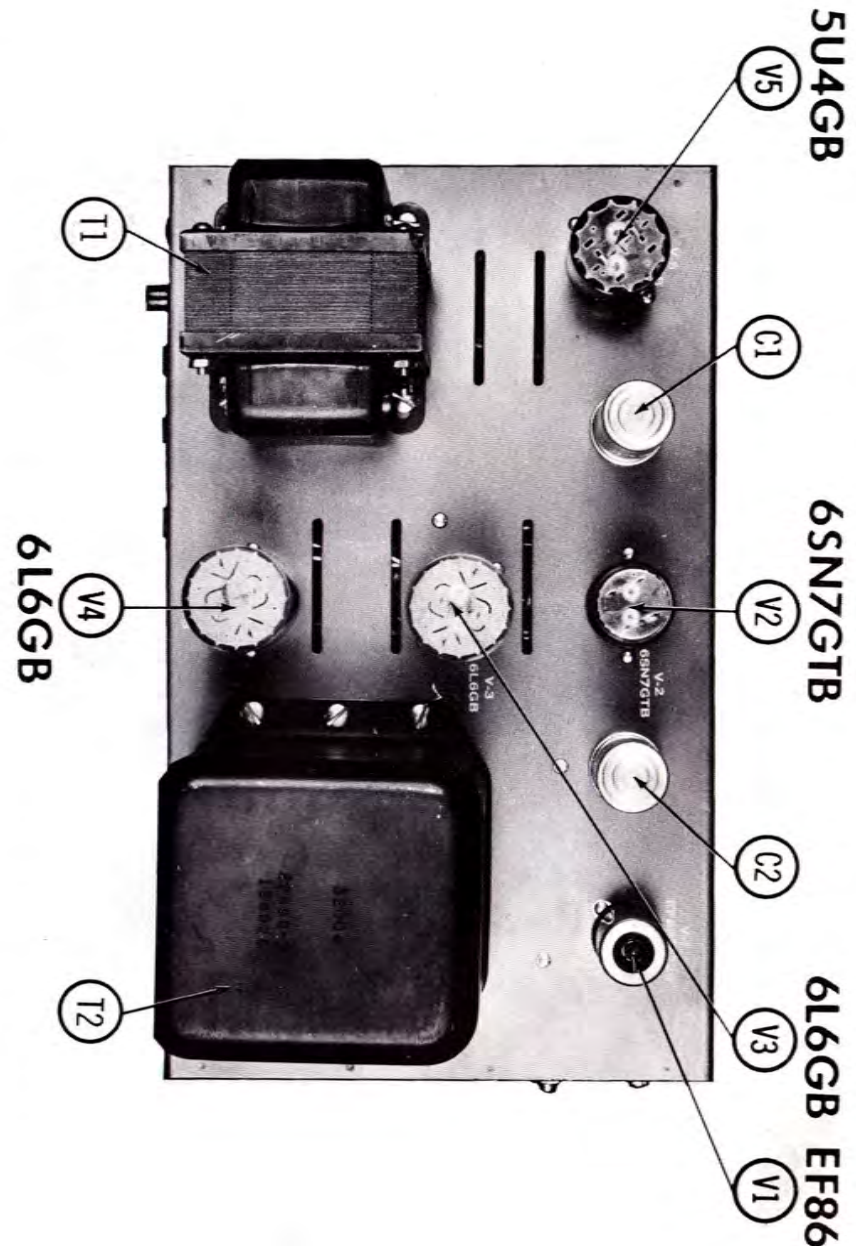
## RESISTORS

All wattages 1/2 watt, or less, unless otherwise listed.

ITEM No.	RATING	REMARKS	ITEM No.	RATING	REMARKS	ITEM No.	RATING	REMARKS
R2	10K	Note 1	R9	1meg	Note 2	R16	1000Ω	Note 4
R3	100K 5%		R10	27K 5% 1W		R17	120K	
R4	15K		R11	33K 5% 1W		R18	350Ω 10W	
R5	470K 5%		R12	10K 1W		R19	1800Ω 5%	
R6	1138Ω 5%		R13	18K 5% 1W		R20	1800Ω 5%	
R7	100Ω 5%		R14	1000Ω		R21	10K 1W	
R8	220K		R15	120K				

Note 1. Model HF-35 uses 270K in this application.  
 Note 2. Model HF-35 uses 15K in this application.  
 Note 3. Model HF-35 uses 3000Ω in this application.  
 Note 4. Model HF-35 uses 235Ω in this application.  
 \* Alternate Value.

# CHASSIS—TOP VIEW





## PARTS LIST AND DESCRIPTIONS (Continued)

### TRANSFORMER (POWER)

ITEM No.	RATING			REPLACEMENT DATA						
	PRI.	SEC. 1	SEC. 2	EICO PART No.	Halldorson PART No.	Merit PART No.	Ram PART No.	Stancor PART No.	Thordarson PART No.	Triad PART No.
	T1	117V @ .9A	750 VC T @ .100A	5V @ 3V	30016 ①					
	SEC. 3	SEC. 4	SEC. 5							
	6.3V @ 2.7A									

① Used in Model HF-22.

### TRANSFORMER (POWER)

ITEM No.	RATING			REPLACEMENT DATA						
	PRI.	SEC. 1	SEC. 2	EICO PART No.	Halldorson PART No.	Merit PART No.	Ram PART No.	Stancor PART No.	Thordarson PART No.	Triad PART No.
	T1	125V @ 1.15A Tap @ 117A 4.5A	780VCT @ 140A Tap @ 75V @ .005A	5V @ 1.9A	30020 ②	24R38 ③			P-4004 ③	24R38 ③
	SEC. 3	SEC. 4	SEC. 5							
	6.3V @ 4.2A									

② Model HF-35

③ Parallel and phase 6.3 Volt windings. Tape center tap on 5V and 6.3V windings.

### TRANSFORMER (AUDIO OUTPUT)

ITEM No.	IMPEDANCE		REPLACEMENT DATA						NOTES	
	PRI.	SEC.	EICO PART No.	Halldorson PART No.	Merit PART No.	Ram PART No.	Stancor PART No.	Thordarson PART No.		Triad PART No.
	T2	7500Ω CT Tap @ 1500Ω CT	16Ω Tap @ 8Ω, 4Ω	30004						

### FUSES

ITEM No.	TYPE	RATING	REPLACEMENT DATA					
			EICO PART No.		LITTELFUSE PART No.		BUSS PART No.	
			FUSE	HOLDER	FUSE	HOLDER	FUSE	HOLDER
M1	3AG	3A 250V	91005	97800	312003 (3AG 3A 250V)	342001	AGC3	HKP

### WIRING DATA

General-use Unshielded Hook-up Wire ..... Use BELDEN No. 8530 (Solid) Available in Ten Colors  
8524 (Stranded) Available in Ten Colors  
Power Cord ..... Use BELDEN No. 1765-B (6 Ft. Length)  
1725-K (7½ Ft. Length)

## CHASSIS—BOTTOM VIEW

