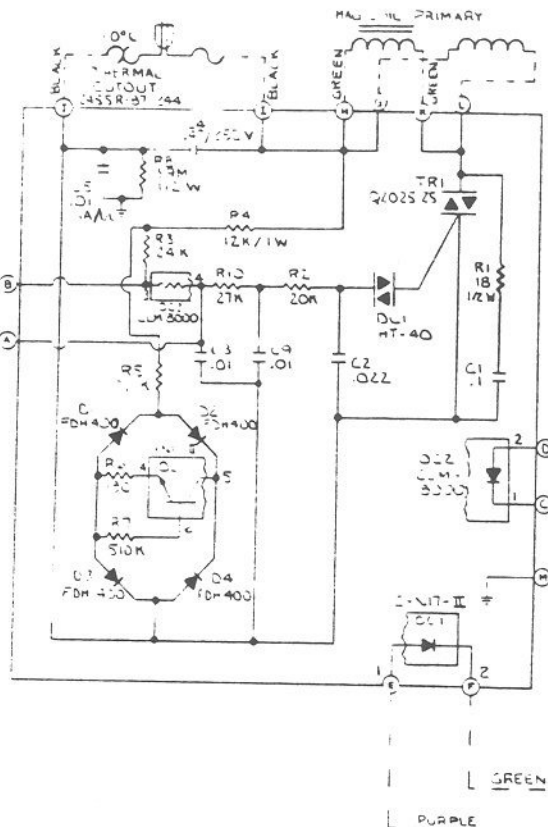
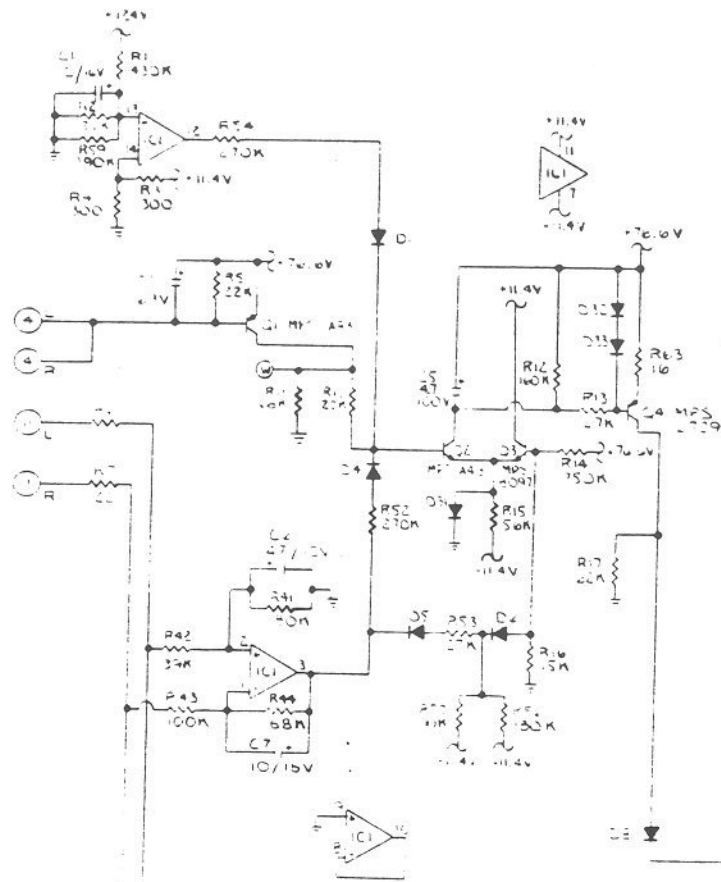


NOTES:

1. IC1 IS A TLO 72
2. UNLESS OTHERWISE NOTED - ALL RESISTORS ARE 1/4W.

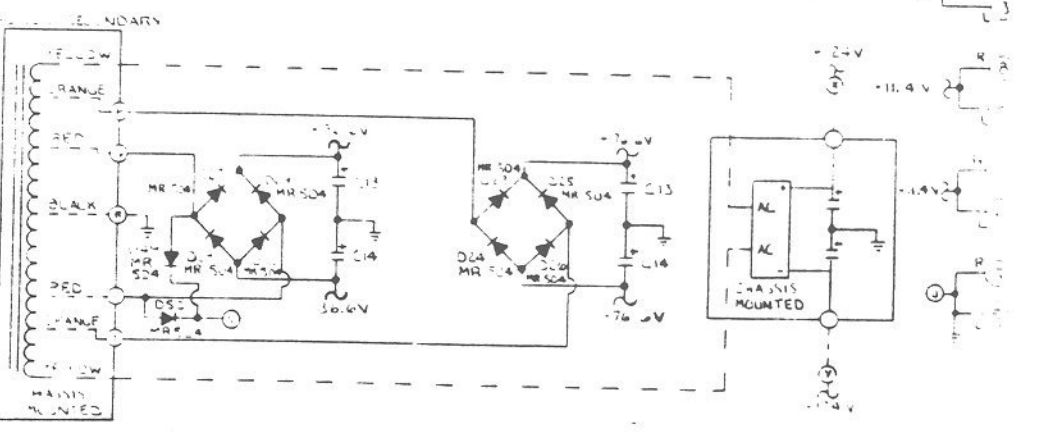
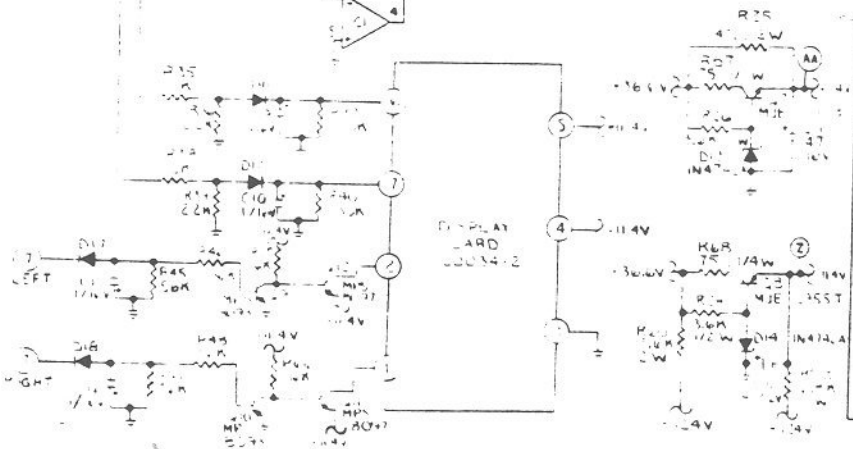
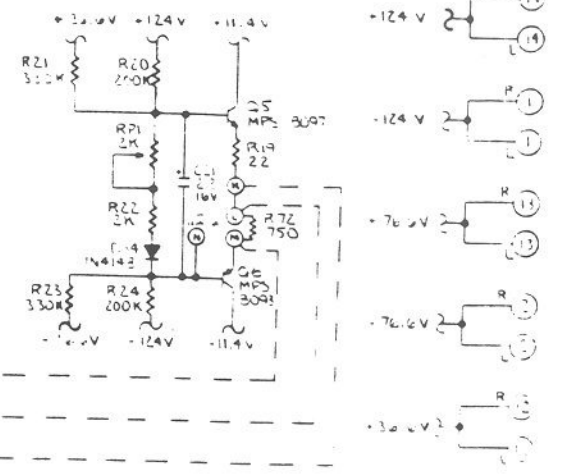
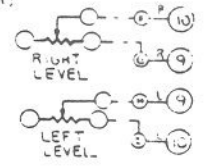
CARVER CORPORATION		
PM-1.5 INPUT BOARD		
M. LIENO	11-83	
REV A		

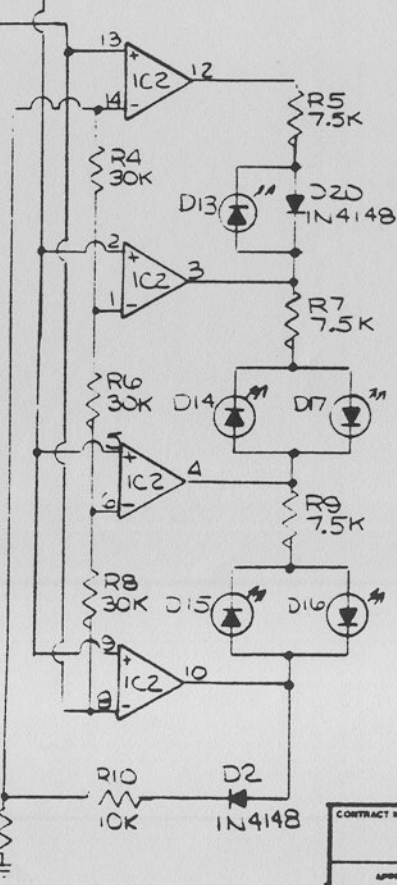
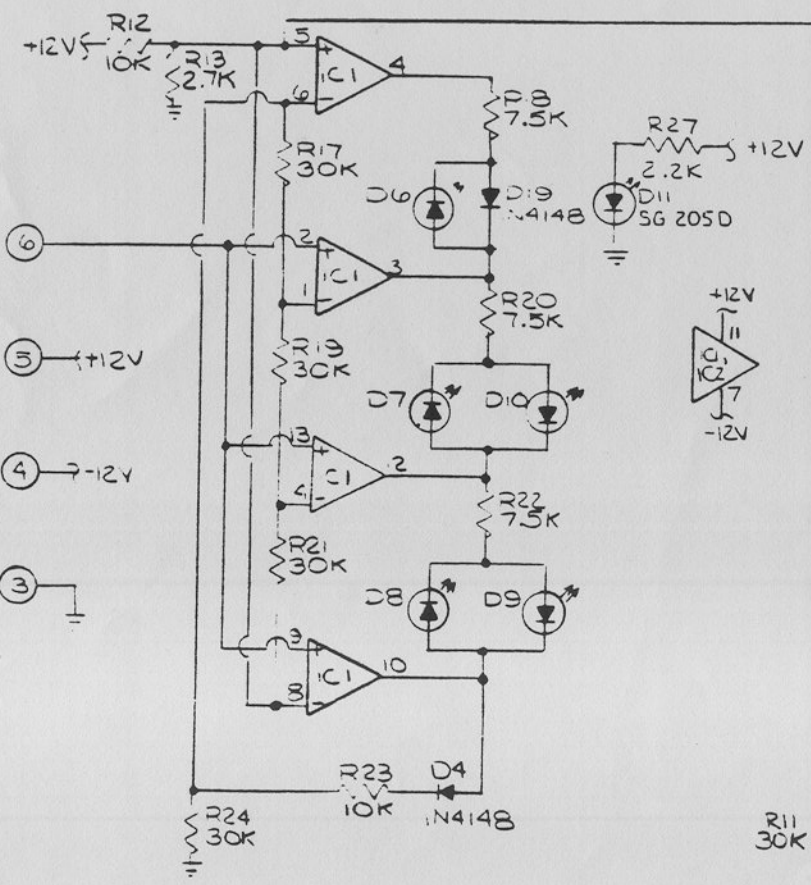
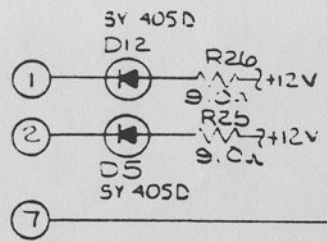
601 00132-01



<b>CARVER CORPORATION</b>	
PROJECT NO. 601-00127-01	REV. P.B. PWR SUPPLY PM15 0V
	REV. S.H. P.R. REGULATOR PM15 110V
DATE: 10/15/68	BY: J.M.
REVISED AND REDRAWN 7/1/68 (PM1)	

- NOTES: UNLESS OTHERWISE SPECIFIED:
1. ALL RESISTORS ARE 1/4 W.
  2. ALL DIODES ARE IN4148.
  3. ALL CAPACITANCE IS IN UF.
  4. C3 AND C4 ARE DUAL 220UF, 50/80V CAPS.
  5. IC1 IS A 4130.





NOTES -  
 1. ALL RESISTORS ARE 1/4 WATT UNLESS NOTED.  
 2. IC'S ARE 4136  
 3. ALL DIODES ARE SRS05VW UNLESS NOTED.

CONTRACT NO.		CARVEL CORPORATION			
APPROVALS	DATE	PM 1.5 DISPLAY			
DRAWN MELENO	1-18-83	SIZE B	FSCM NO.	DRG. NO. 601-00128-C	REV. P
CHECKED I. Haney	2-1-83	SCALE -			SHEET 1 OF 1
ISSUED -S.W.Z. bh	7-18-85				

601-00128-01