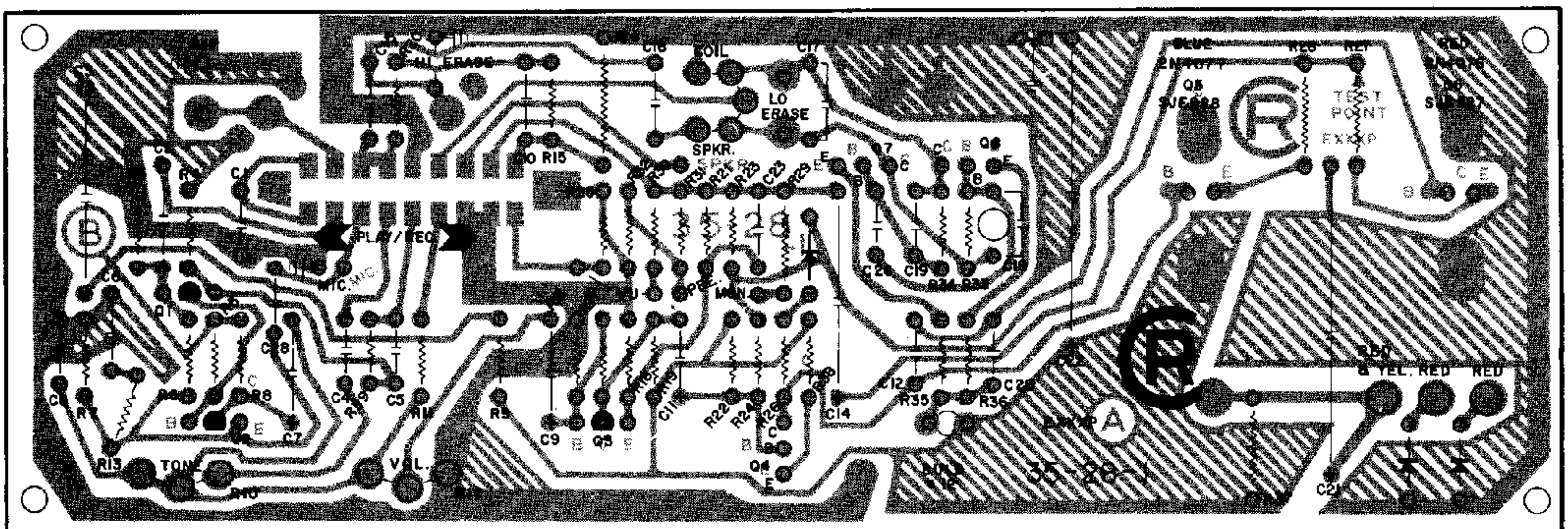
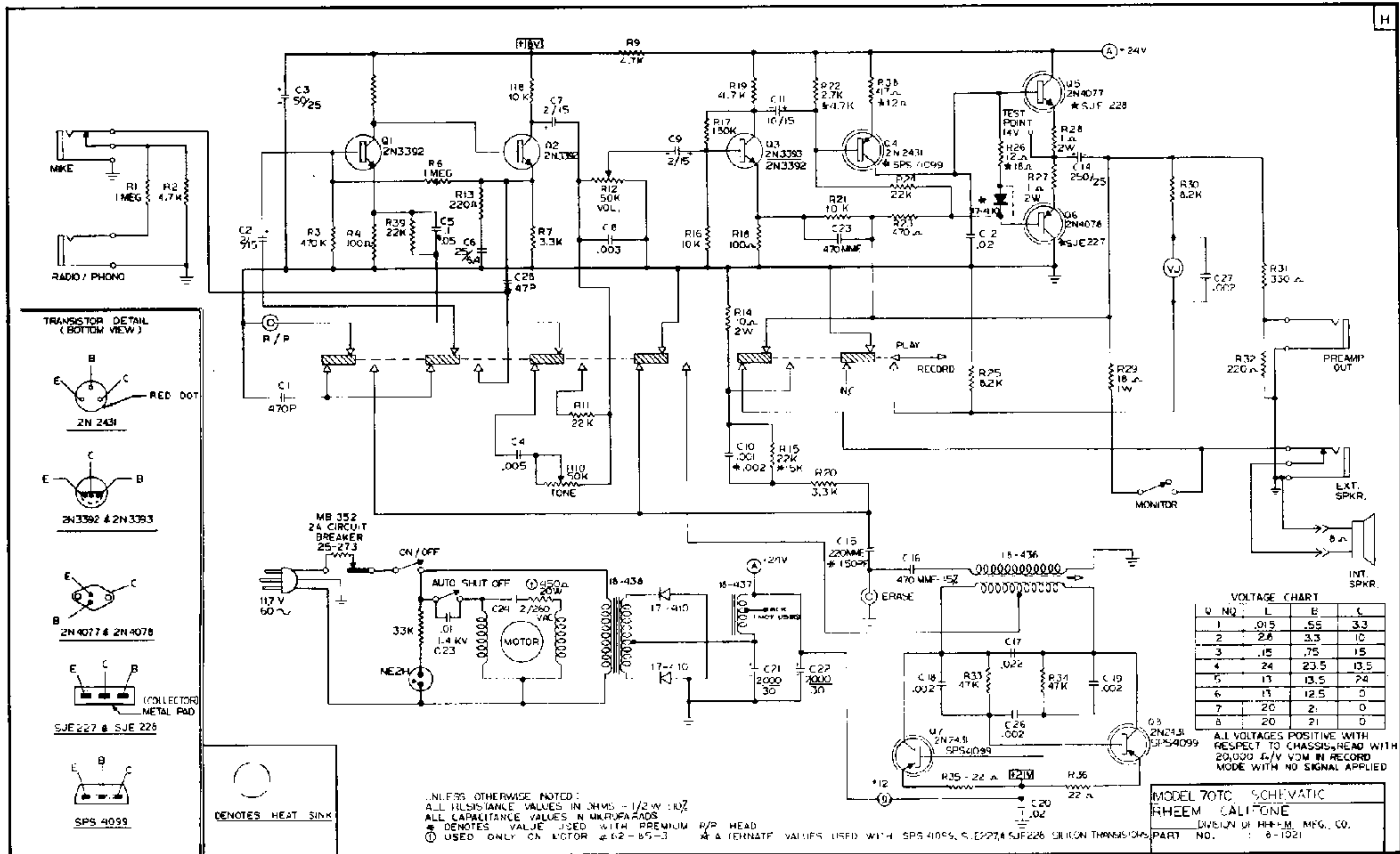
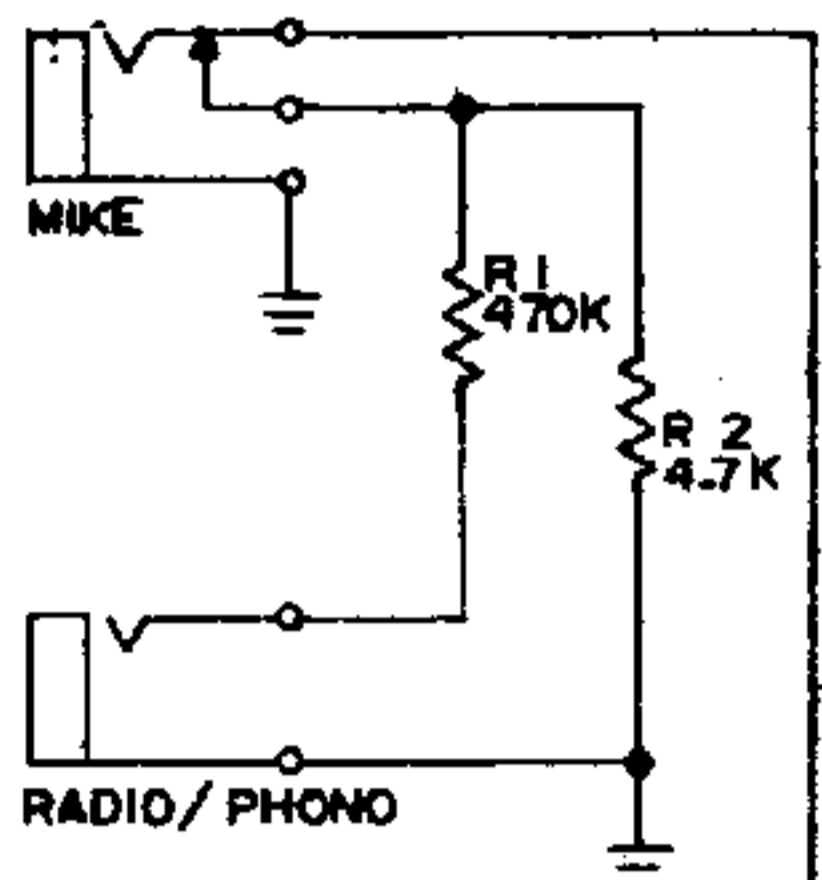


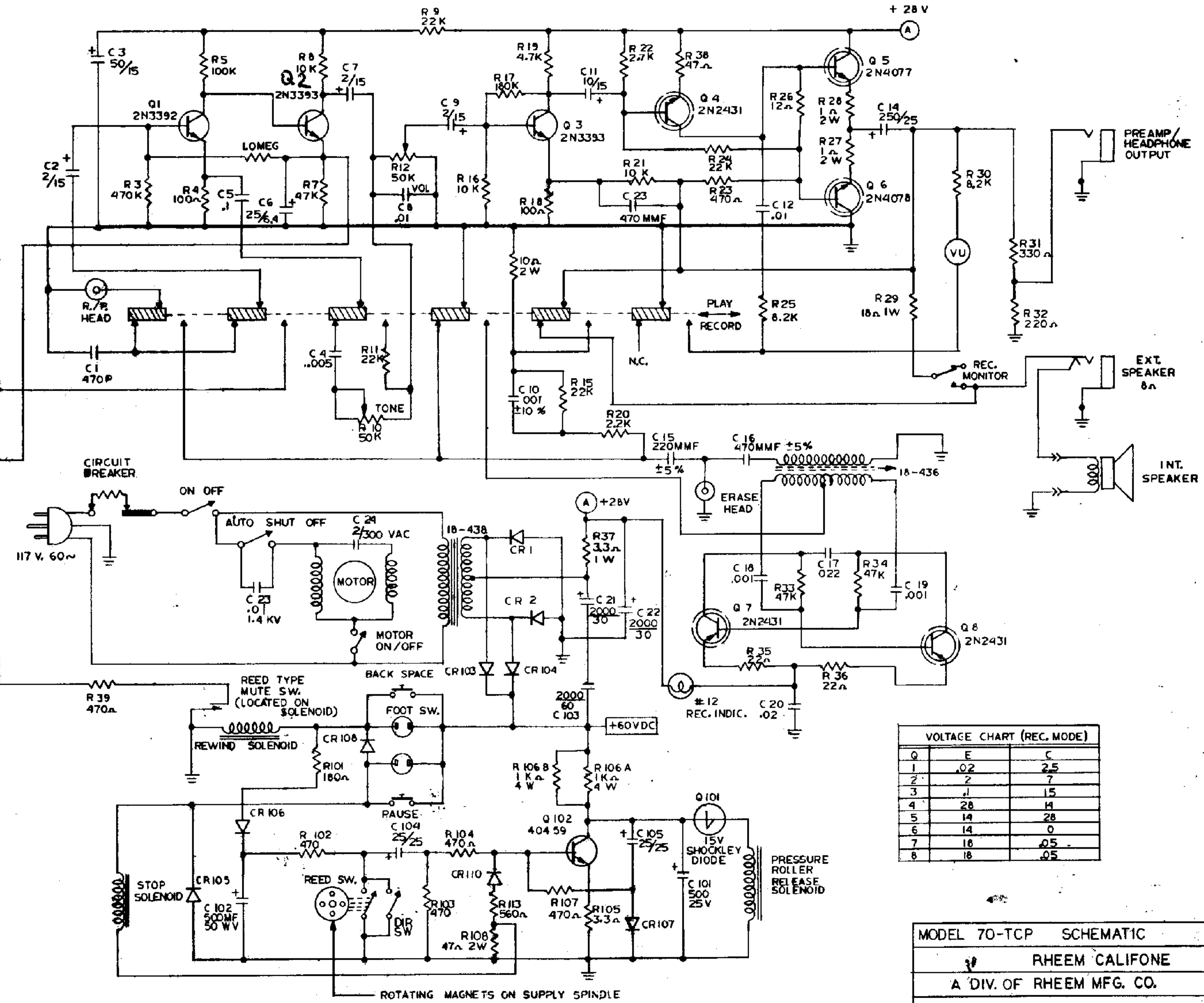
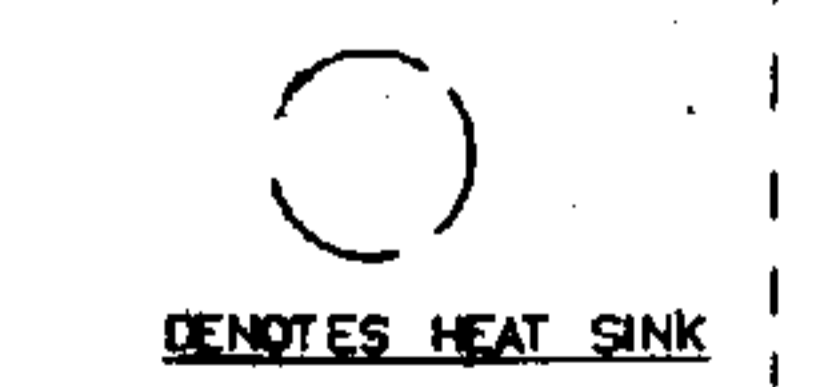
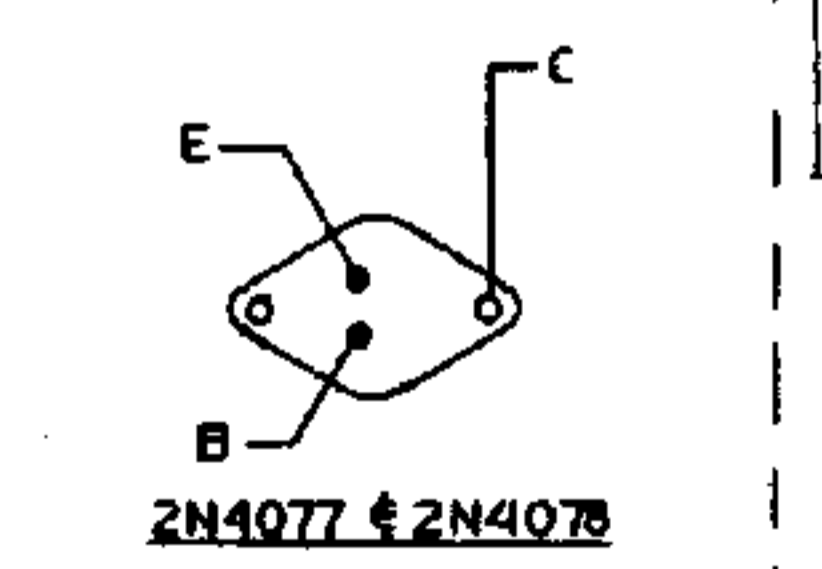
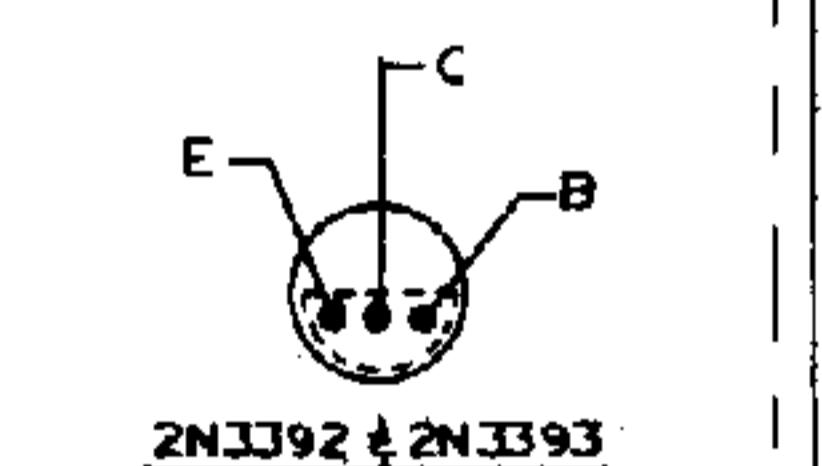
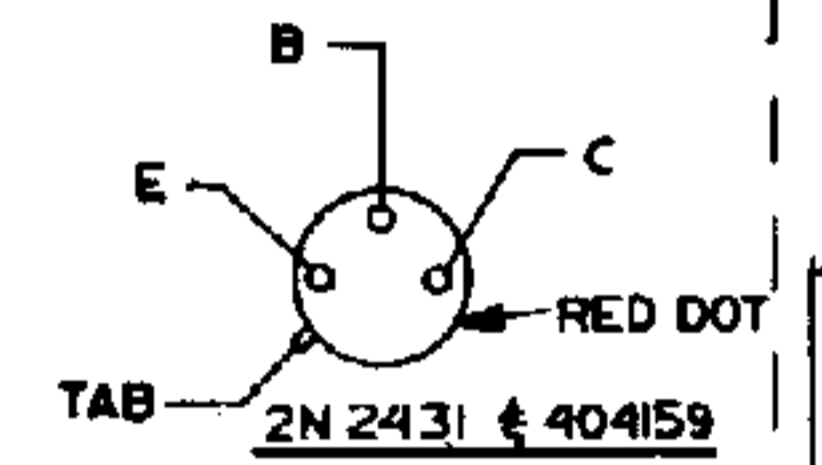


MODEL NO. 70-TC





TRANSISTOR DETAIL (BOTTOM VIEW)



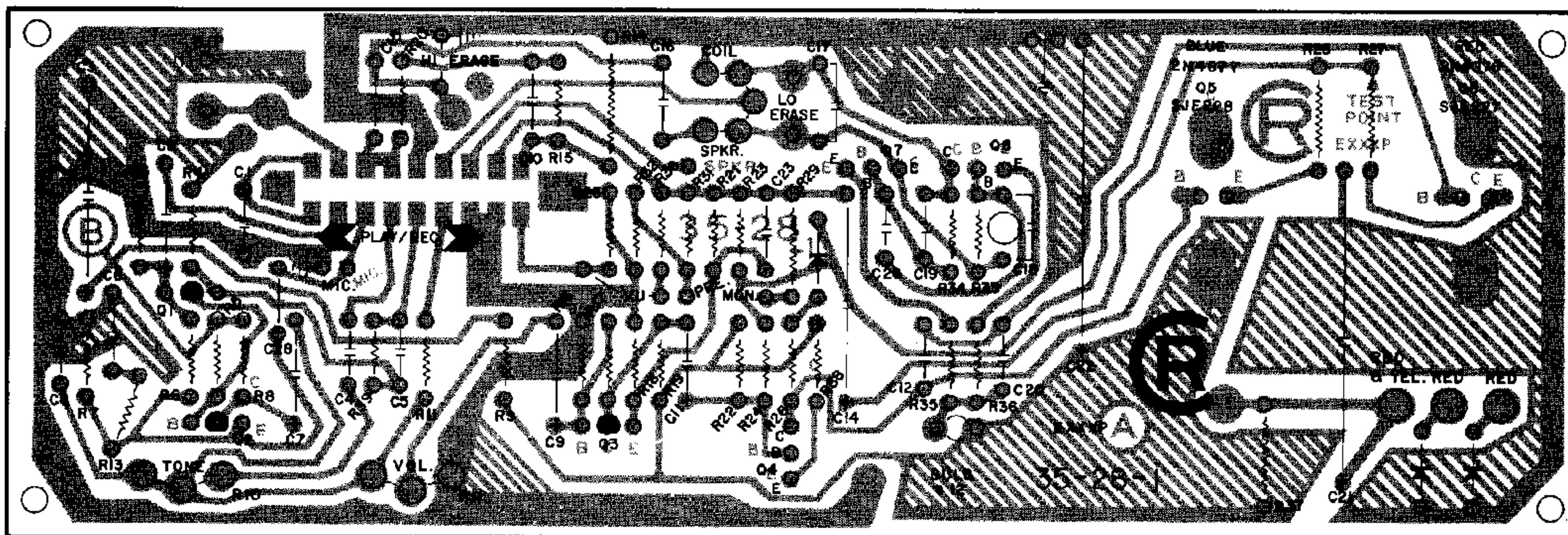
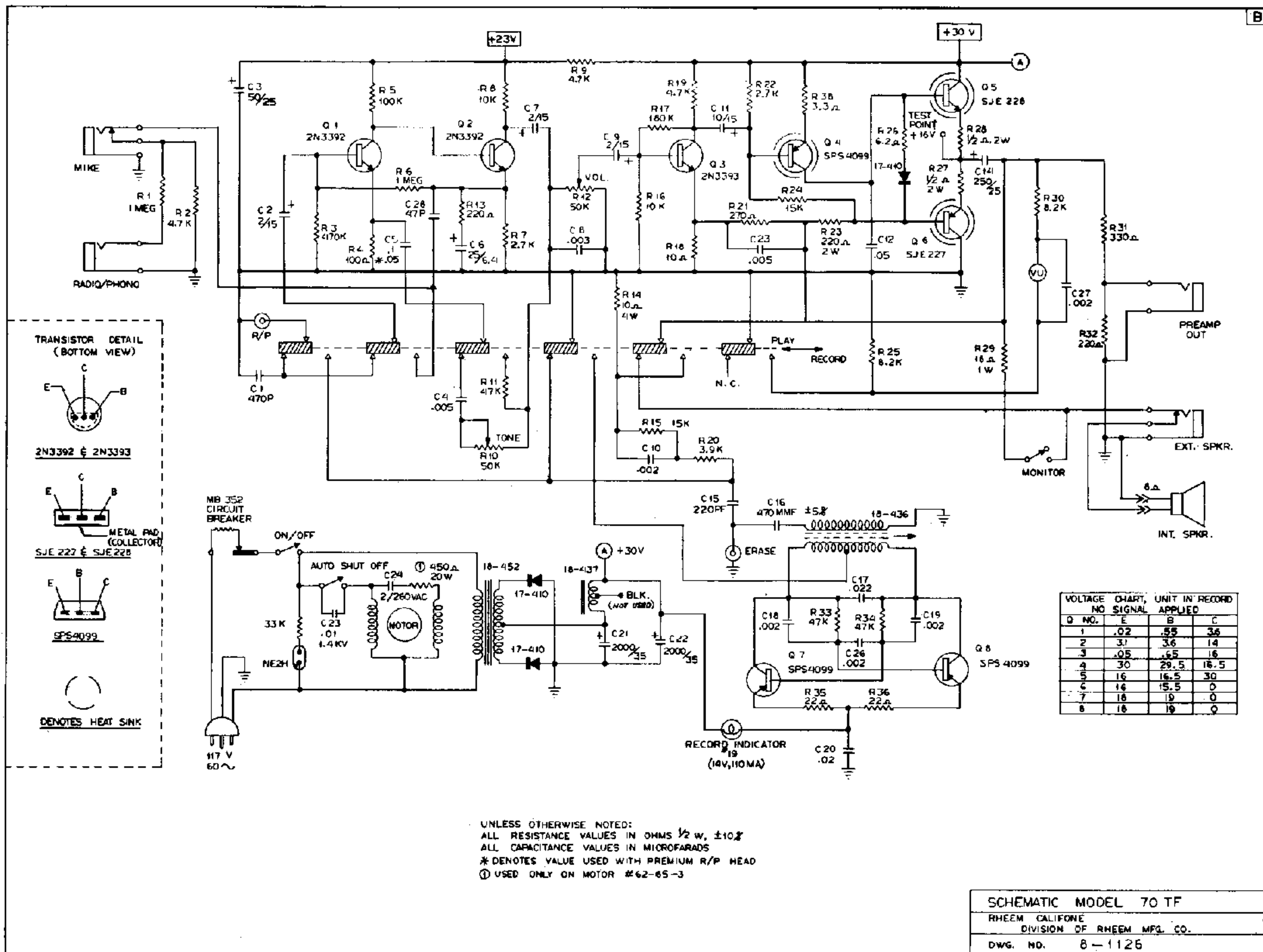
VOLTAGE CHART (REC. MODE)

Q	E	C
1	.02	25
2	2	7
3	.1	15
4	28	H
5	14	28
6	14	0
7	18	.05
8	18	.05

MODEL 70-TCP SCHEMATIC
 RHEEM CALIFONE
 A DIV. OF RHEEM MFG. CO.
 DWG. NO. 8-1087

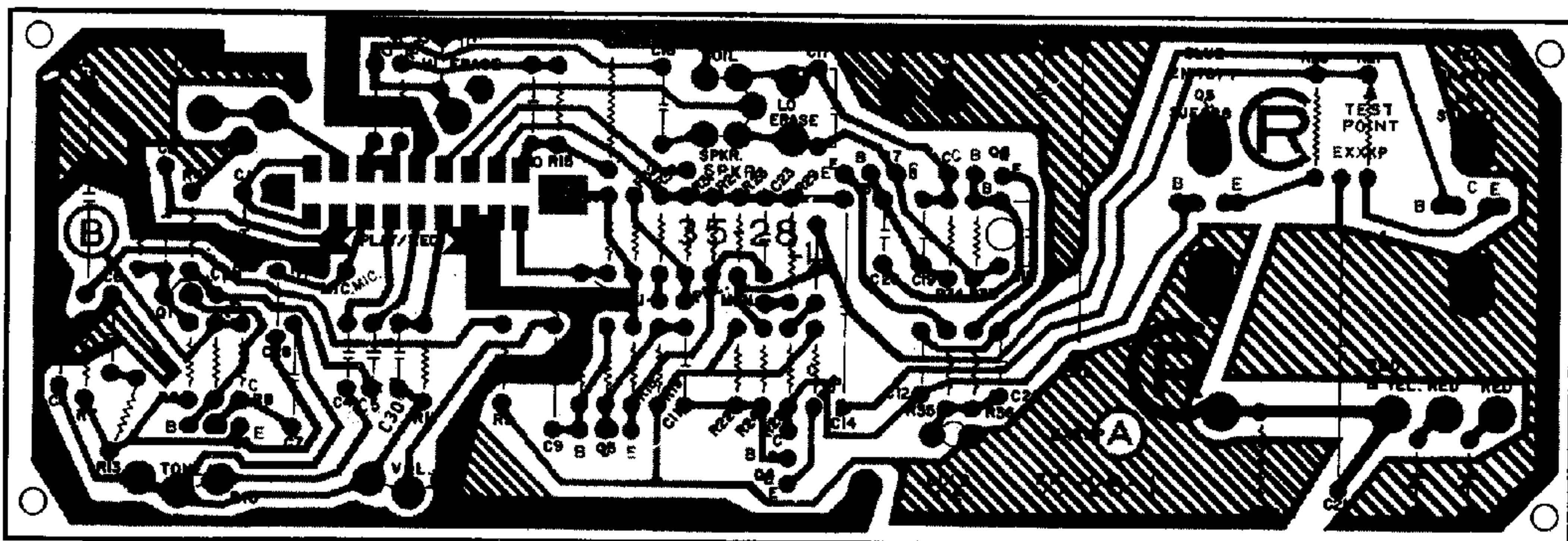
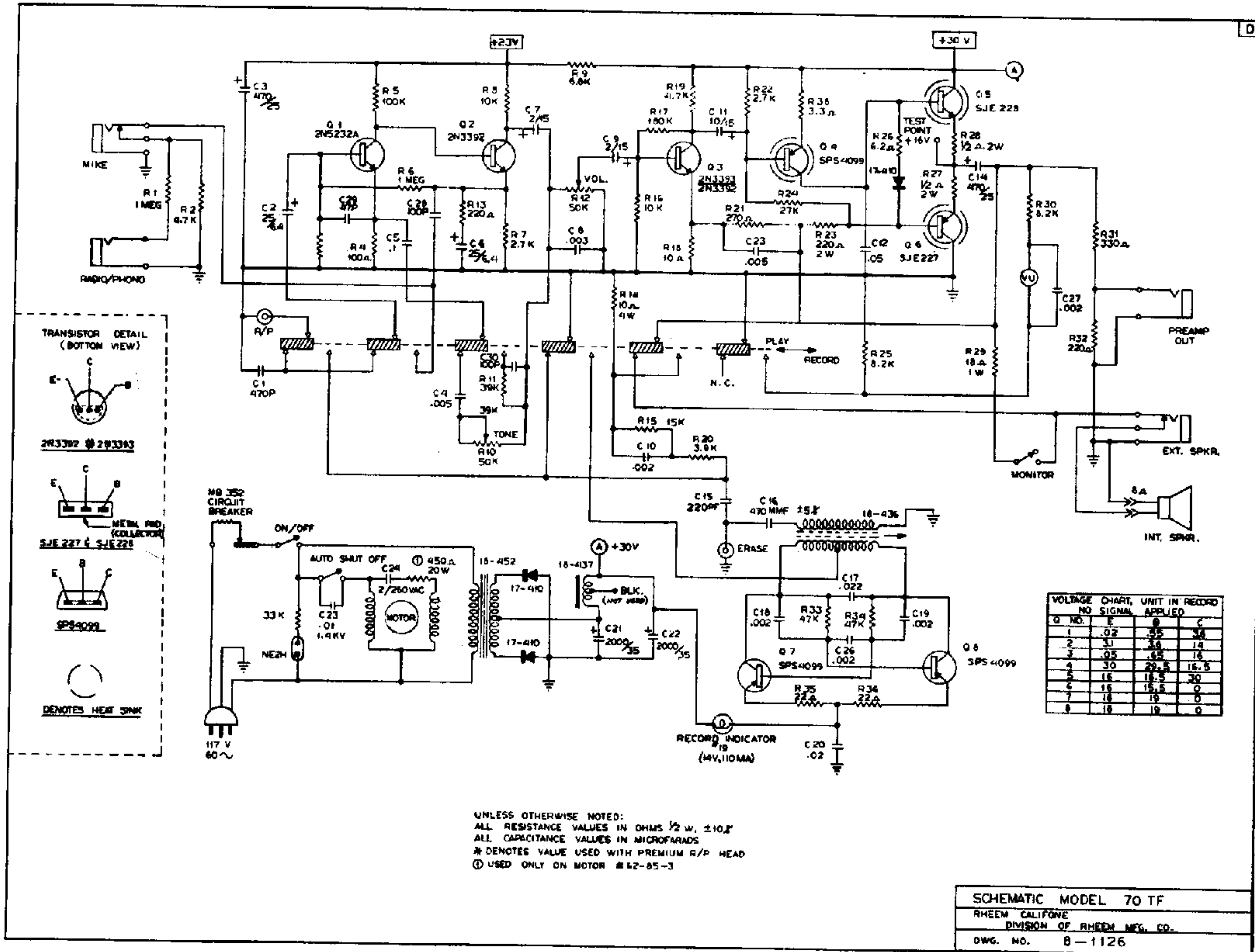


MODEL 70-TF



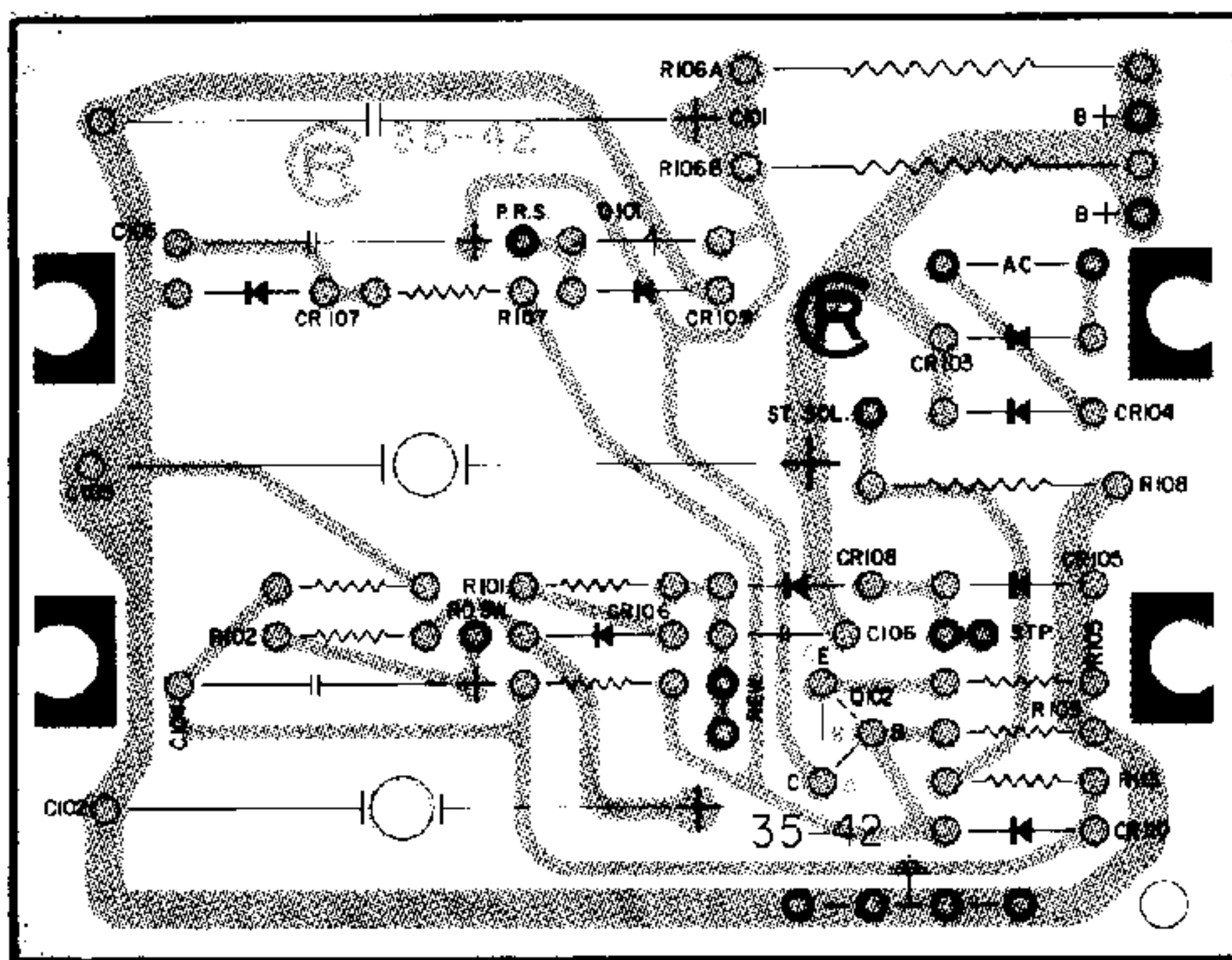
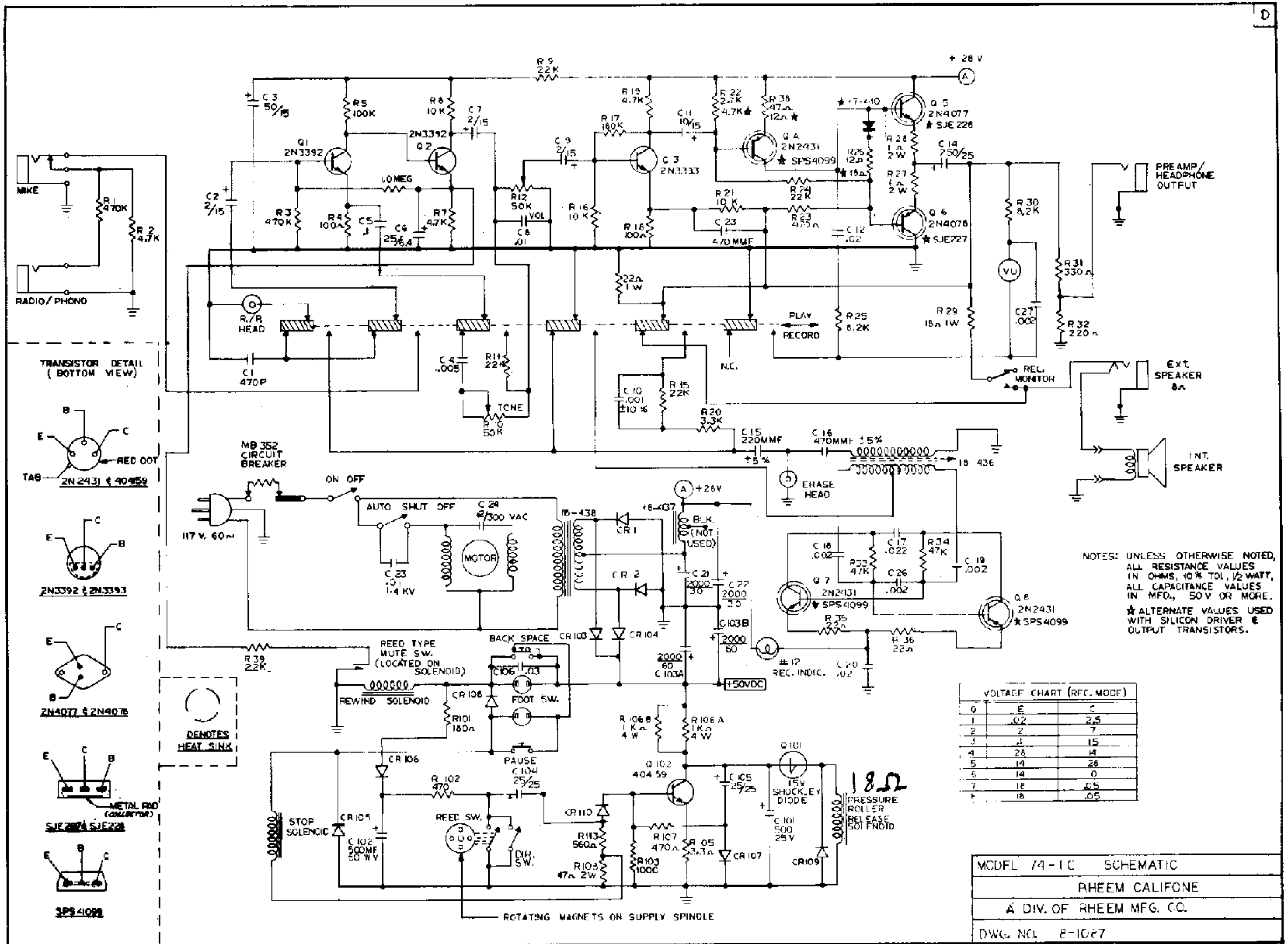
MODEL 70-TF

EFFECTIVITY: Serial Numbers 3017-6938 & Up

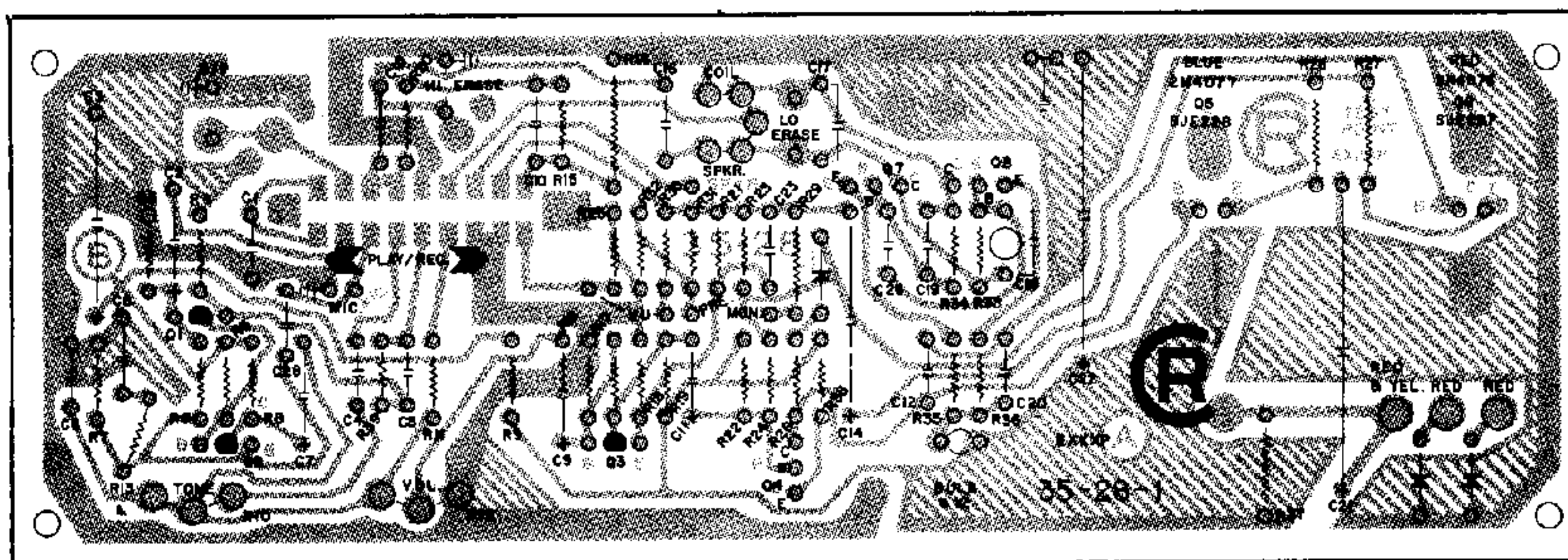




MODEL 74-TC



BACKSPACE BOARD



AMPLIFIER BOARD