

#### SPECIFICATIONS

**POWER OUTPUT:** 400 mW continuous (RMS) power @ 5% T.H.D. into 8 ohms

**FREQUENCY RESPONSE:** 200-6300Hz,  $\pm 4$ db

**SIGNAL-TO-NOISE RATIO:** 40db minimum

**WOW & FLUTTER:** 35% W.R.M.S.

**DISTORTION:** 5% T.H.D. @ 315Hz @ std. operating level

**FAST-FORWARD/REWIND TIME:** 120 seconds for C-60 Cassette

**TAPE INDEX:** 3-digit "2X" counter with button reset

**TAPE SPEED:** 1-7/8 IPS, +3, -2%

**SPINDLE TORQUE:** Take-up, 40  $\pm 10$  gm-cm  
Fast-wind, 70 to 200 gm-cm

**HEADS:** (3410) 2-track mono play  
(3420 & 3430) 2-track mono record/play & erase

**INDICATOR:** (3430) Battery/Record Level

**TAPE CAPACITY:** Philips-type cassette: C-30, C-60, C-90

**POWER SOURCE:** 6V DC (4 "C" cells) or 120V, 50-60Hz AC

**MOTOR:** 6V DC, centrifugally governed at 2000 RPM

**INPUTS:** (3420 & 3430) Auxiliary (250 mV, 680K ohms, 1/4" phone); Microphone (.25 mV, 20K ohms, 3.5mm); Remote (2.5mm)

**OUTPUTS:** (3410, 1/4" phone): 1) Headset; 2) External speaker/Listening center (8 ohms min.); 3) Auxiliary (.5 V, 30K ohms)  
(3420 & 3430, 1/4" phone): Auxiliary/External speaker/Headset/Listening center (8 ohms min.)

**TRANSPORT CONTROLS:** Pushbutton (piano-key) Rewind/Review; Play; Fast-Forward/Cue; Stop/Eject; (3420 & 3430) Record

**VOLUME:** Thumbwheel

**tone:** (3430) High/Low switch

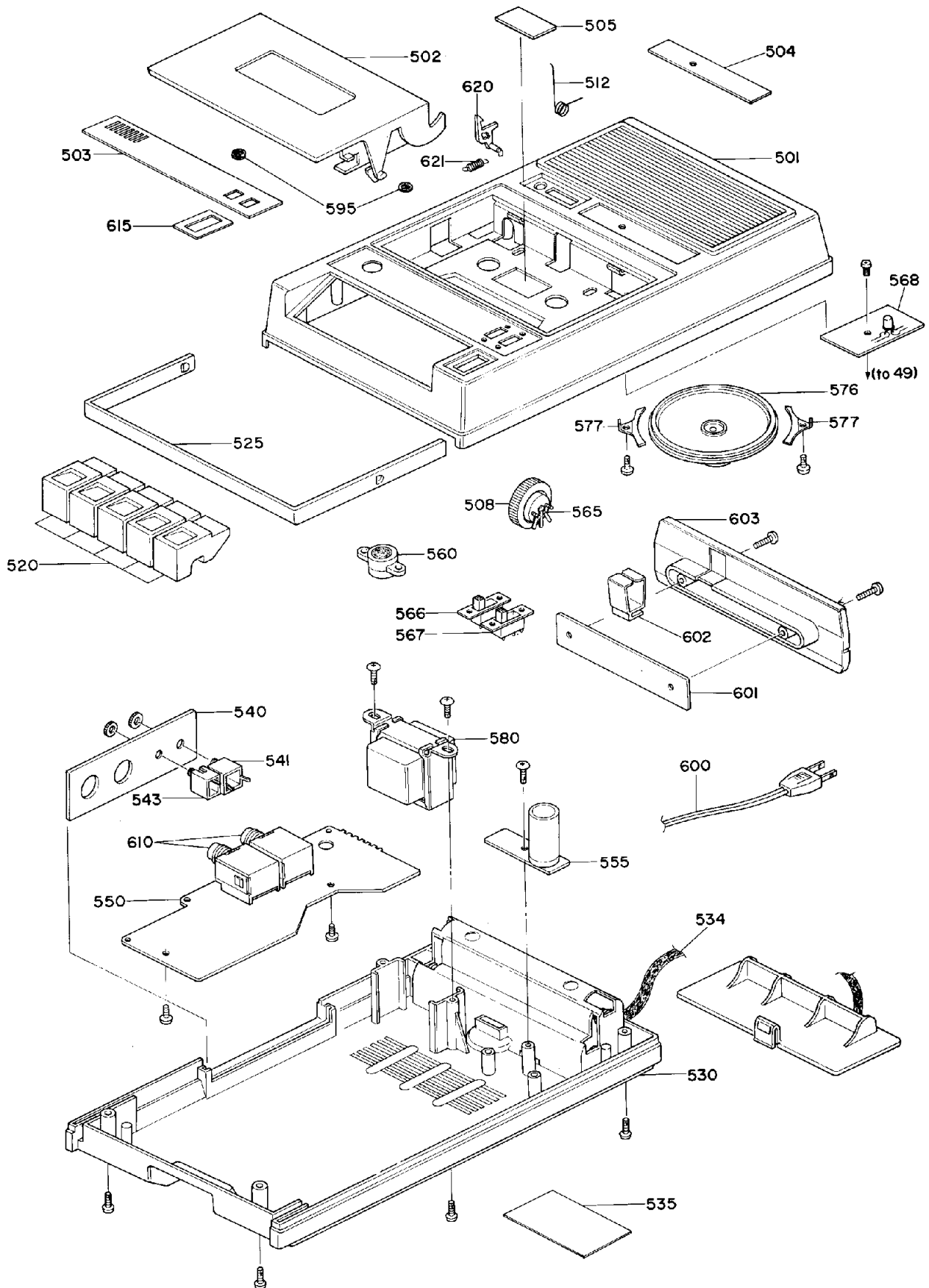
**PAUSE:** (3430) Run/Pause switch

**DIMENSIONS:** 10.8" L x 5.9" W x 2.4" H

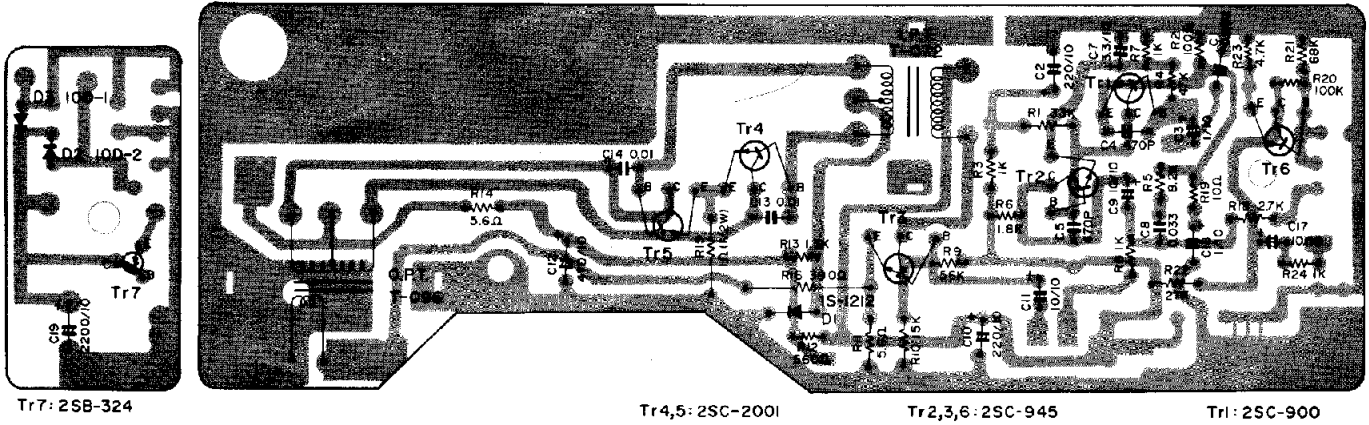
**WEIGHT:** 3-3/4 lbs. (without batteries)



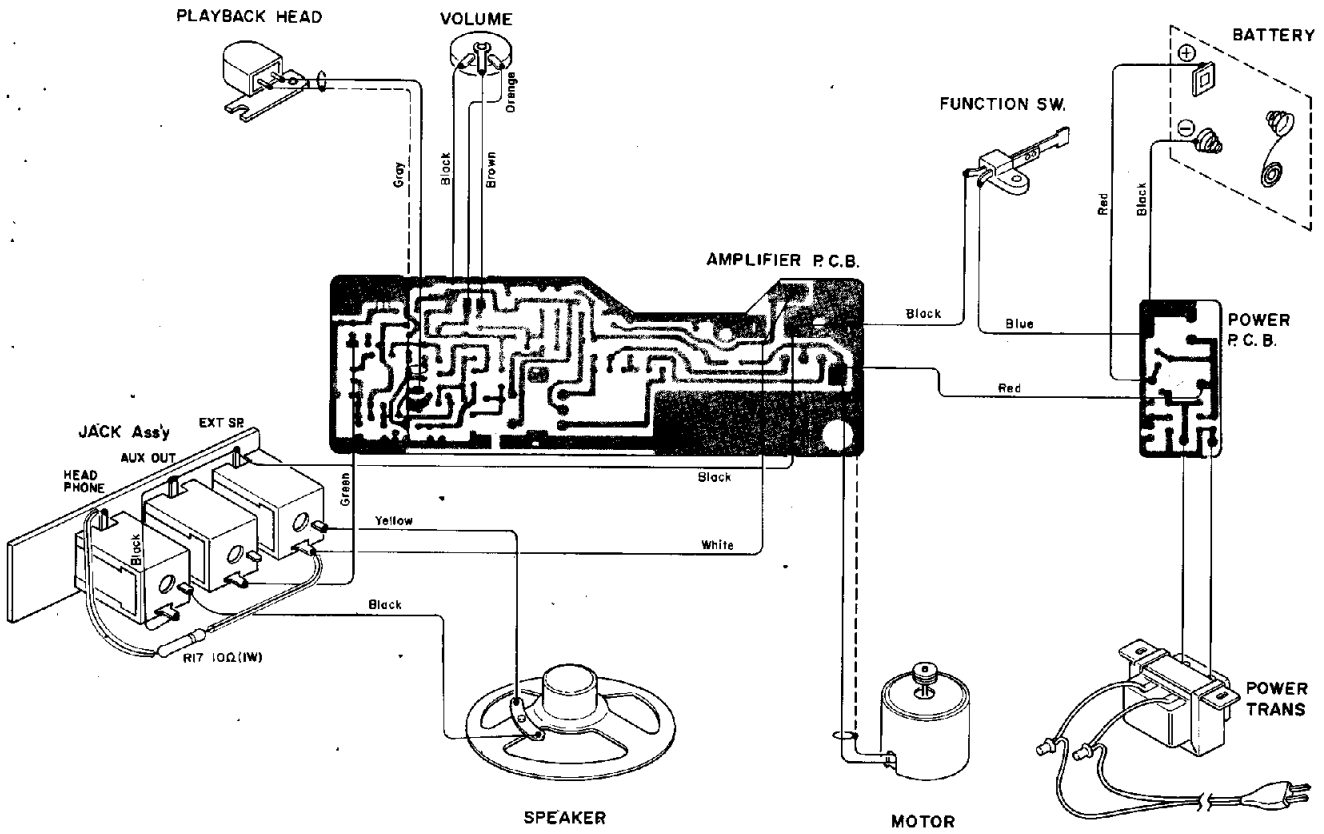
CASE PARTS

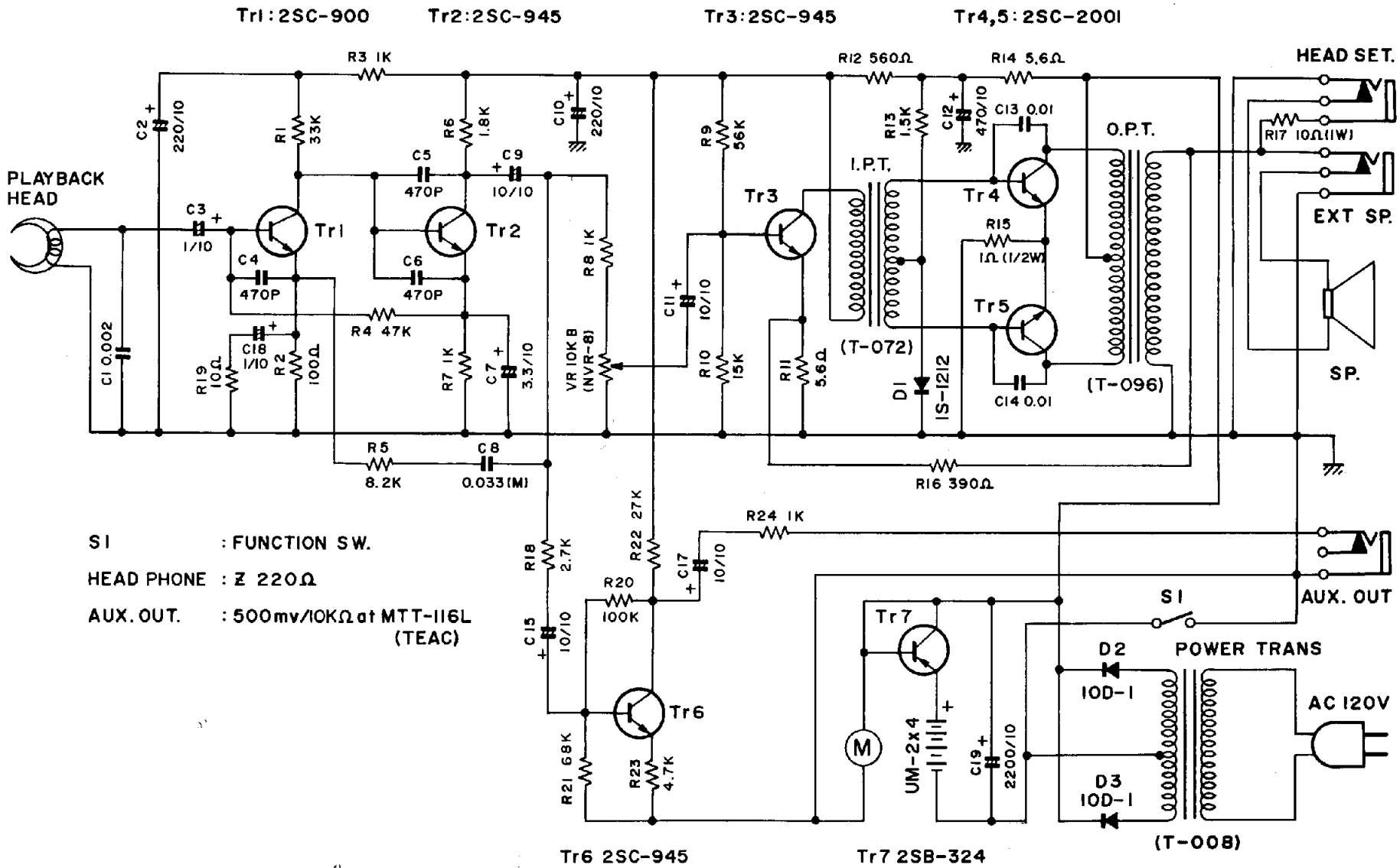


### 3410 AMPLIFIER COMPONENT IDENTIFICATION



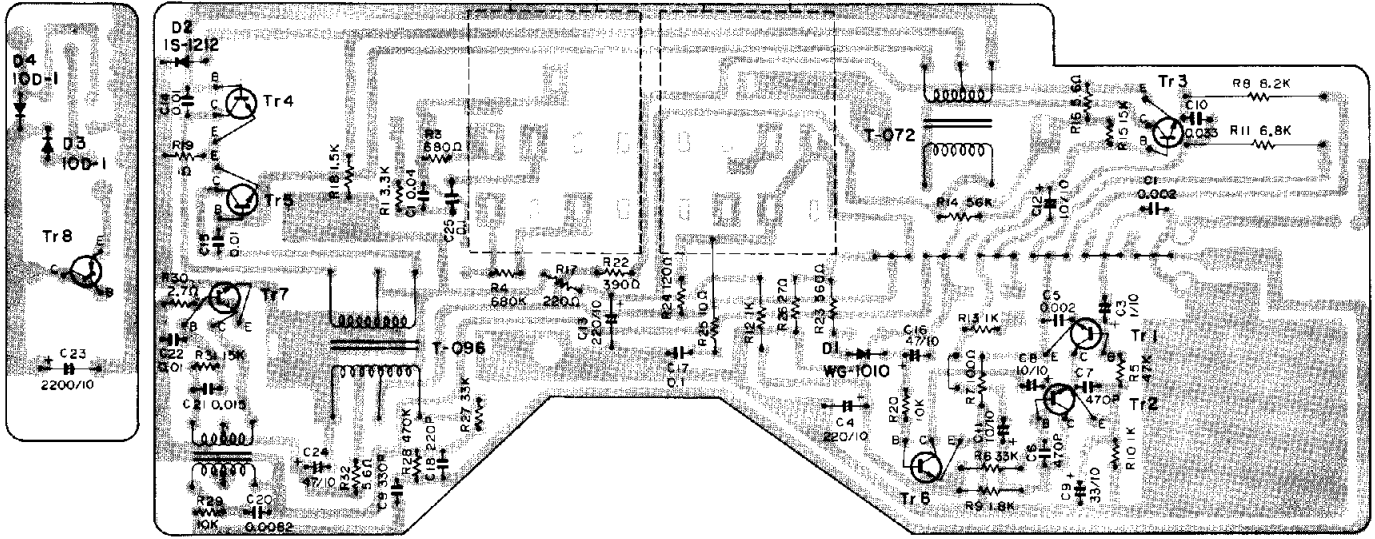
### 3410 WIRING DIAGRAM



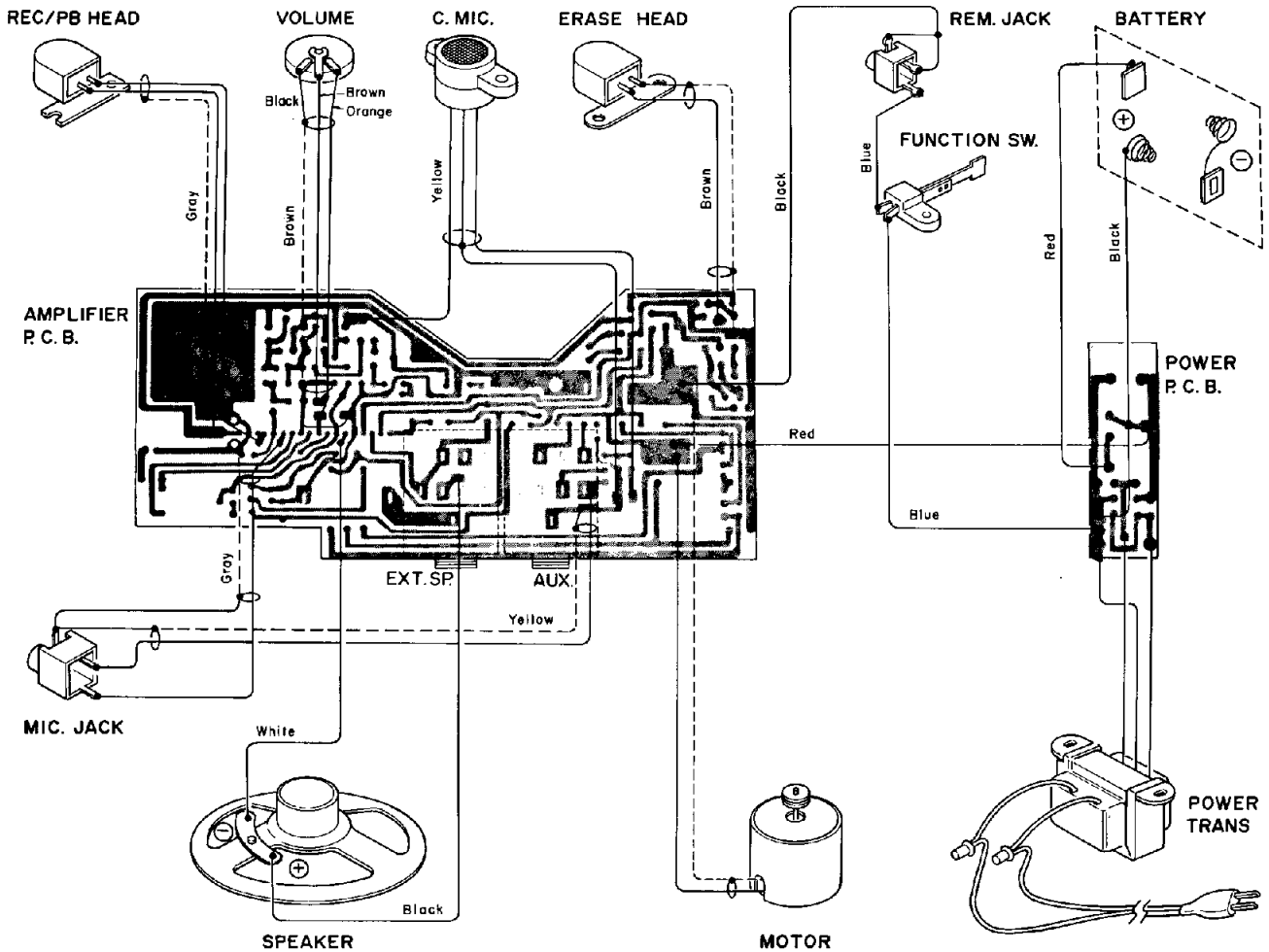


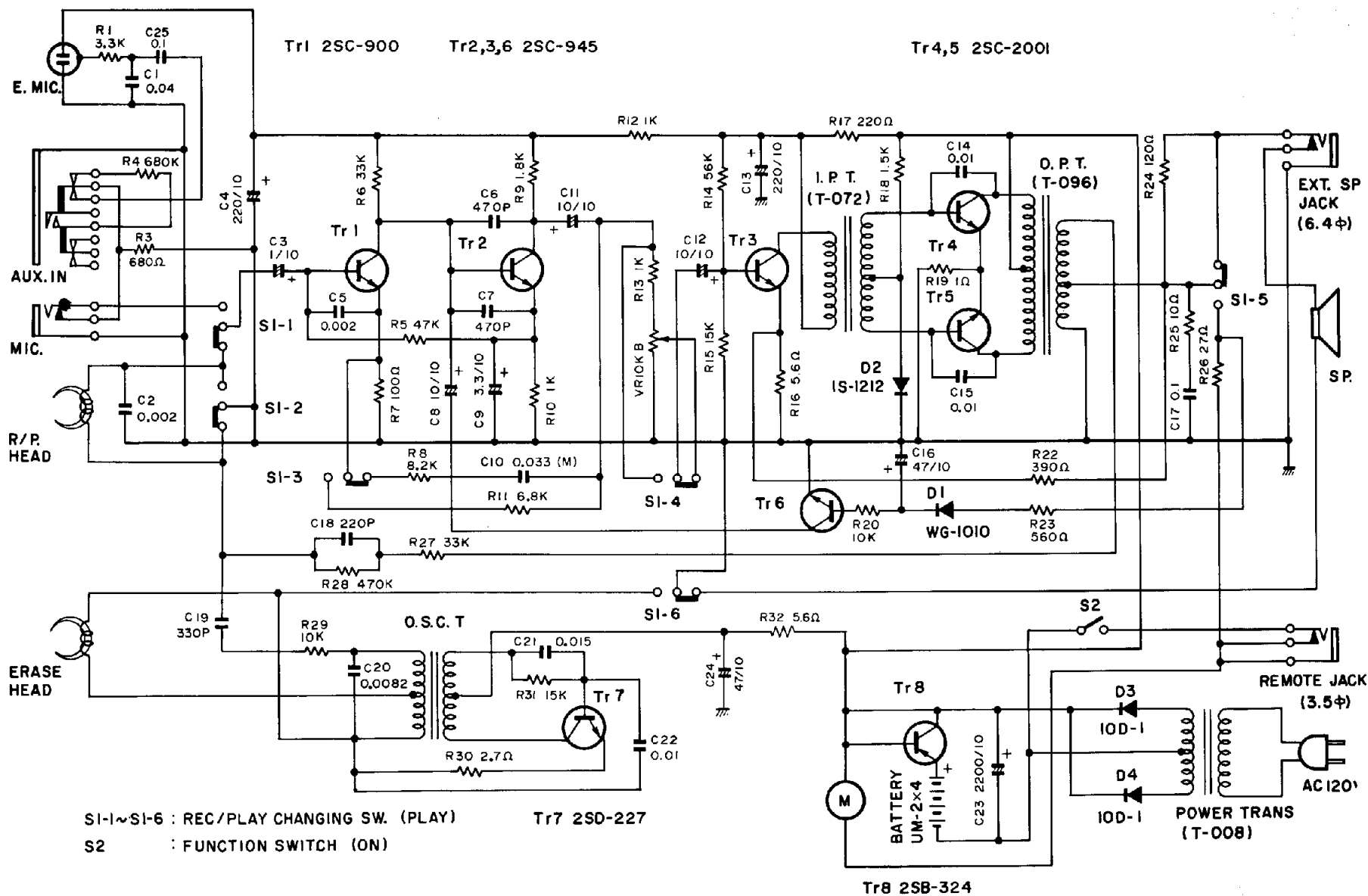
### 3420 AMPLIFIER COMPONENT IDENTIFICATION

Tr7 25D-227 Tr4,5: 25C-2001 Tr2,3,6: 25C-945 Tr1: 25C-900



### 3420 WIRING DIAGRAM





3420 SCHEMATIC





