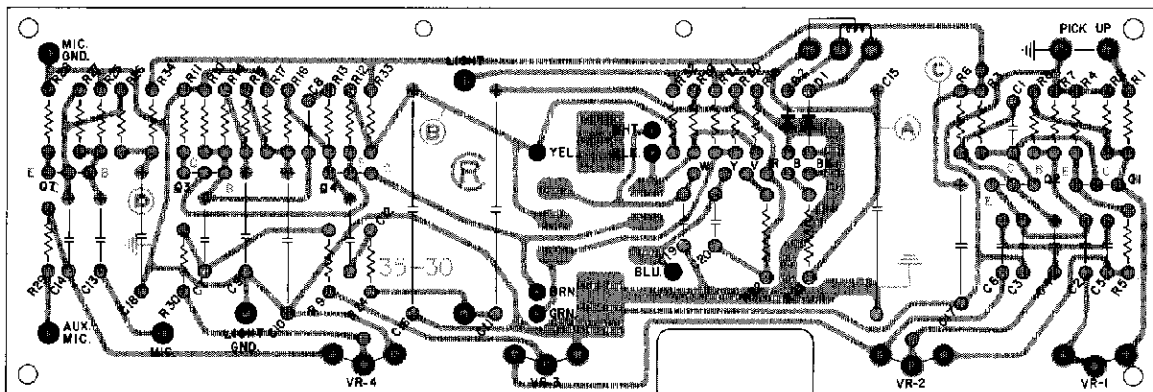
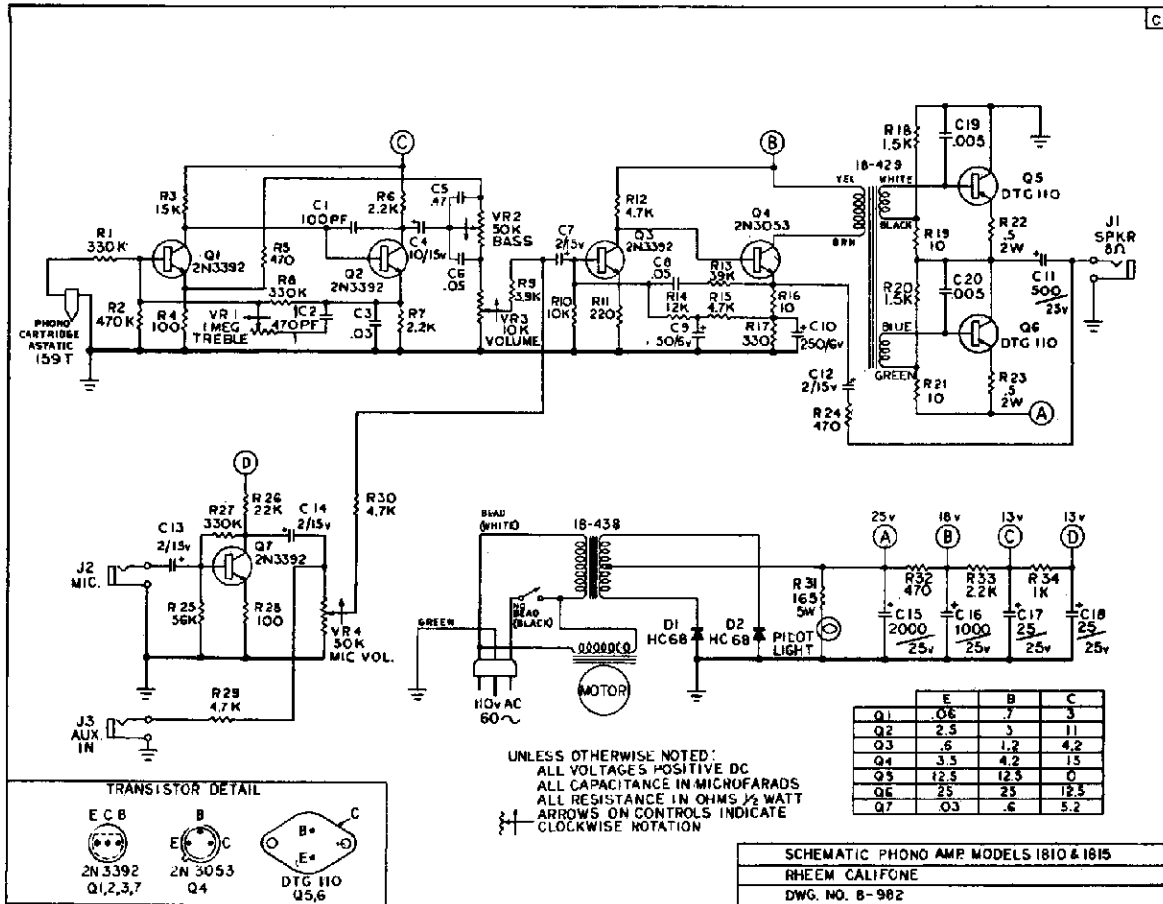


- Notes: Unless otherwise specified.
1. All resistors rated 1/4W, ± 5%.
 2. All capacitors rated in MFD, ± 20%, 50V.
 3. All Voltages ± 10%.

SCHMATIC 1815C w/DC PHONOMOTOR
CALCONE INTERNATIONAL INC



MODEL 1810/1815

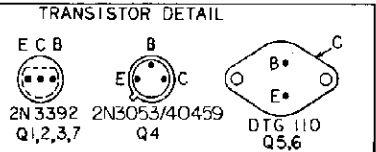
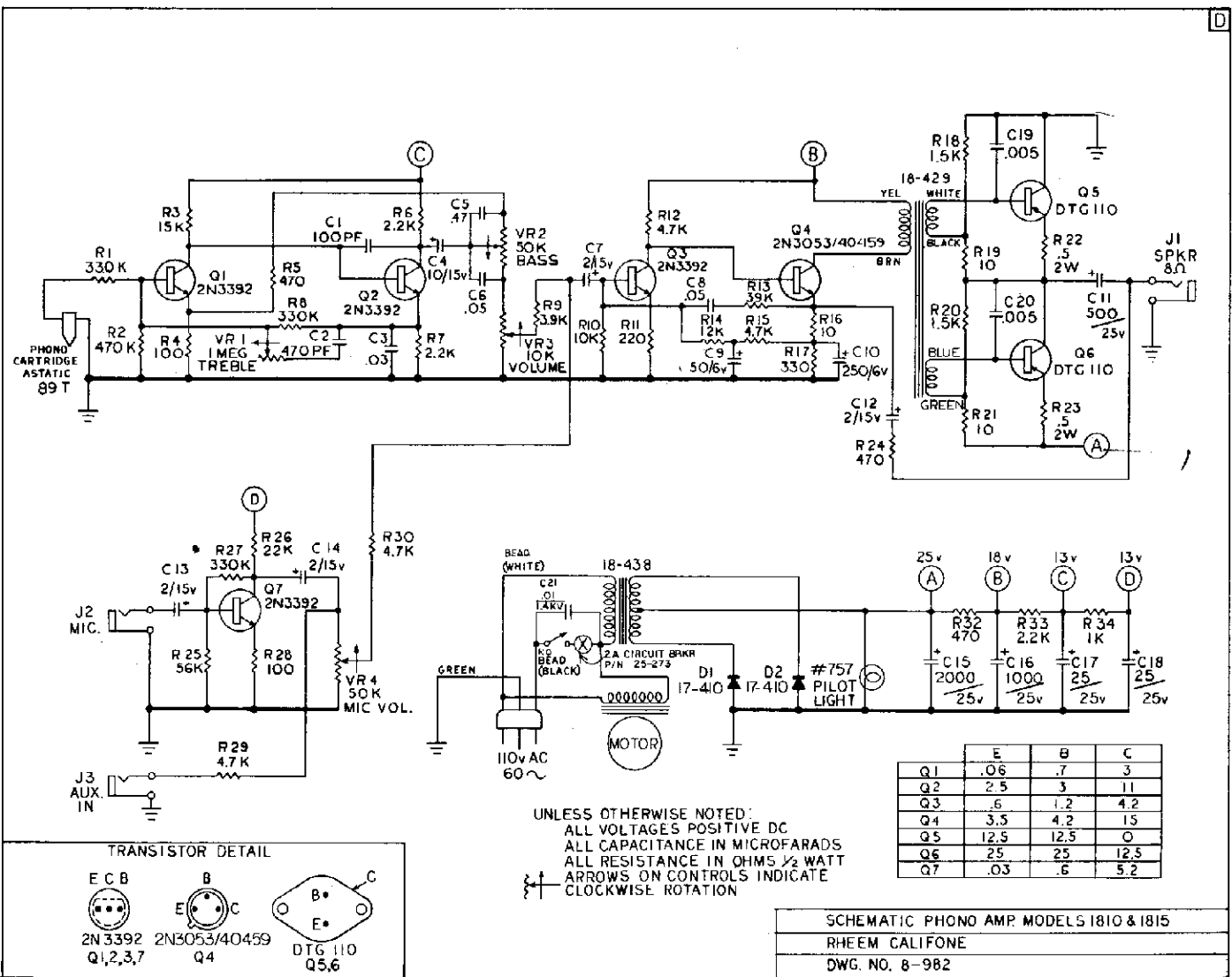


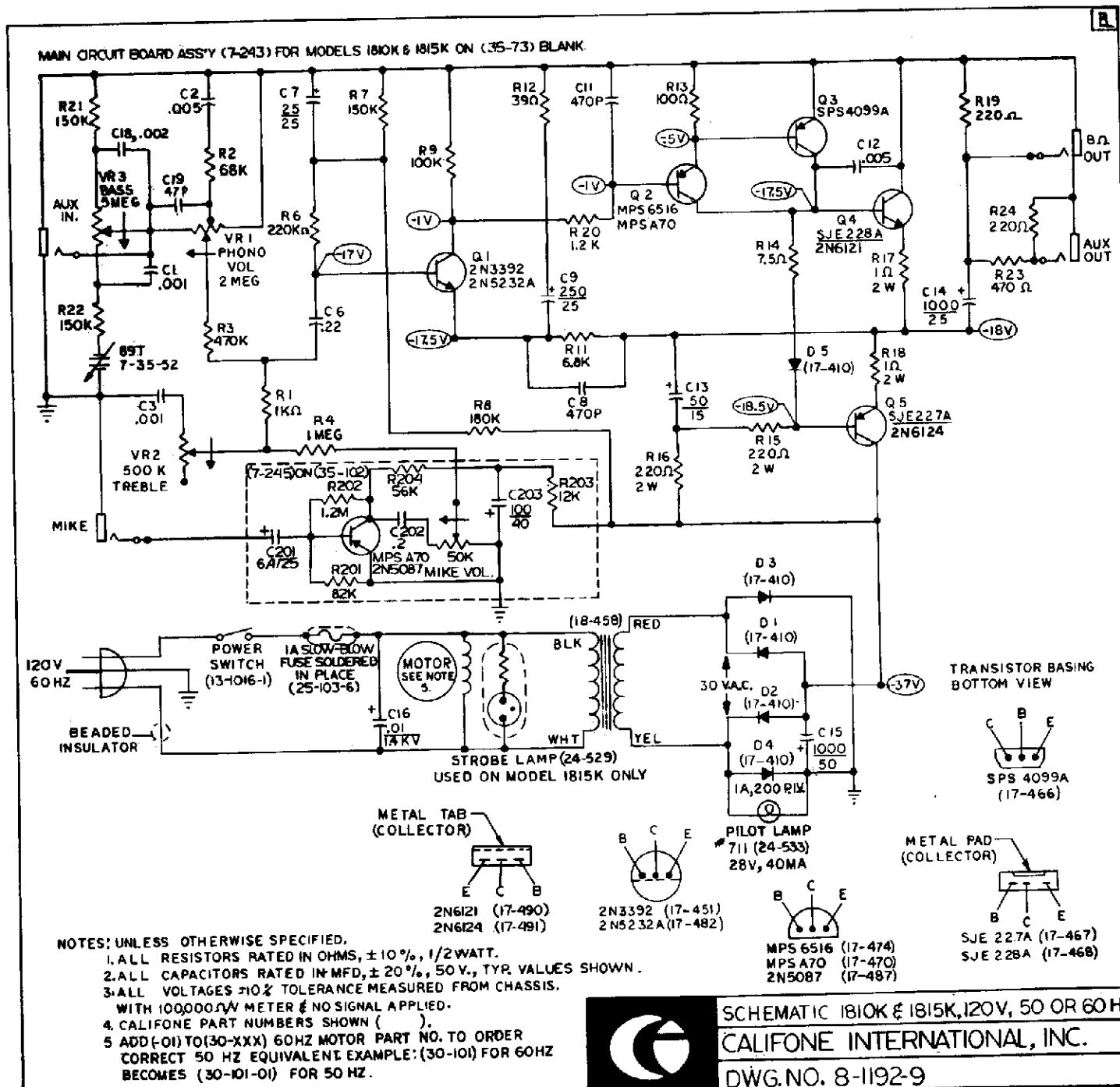
MODEL 1810/1815 (Data Sheet Revision "A")

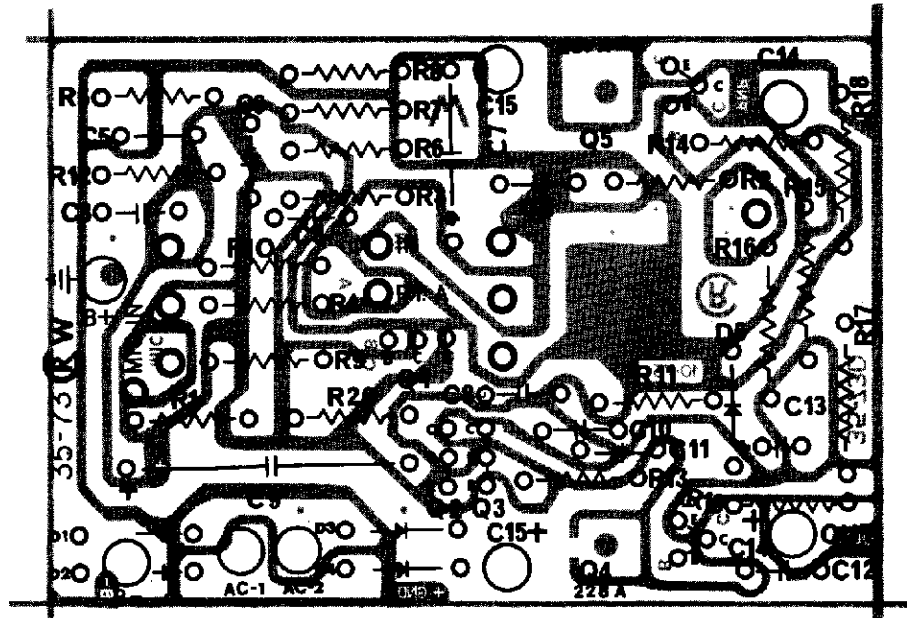
EFFECTIVITY: 1810- S/N 4891 & subsequent; 1815- S/N 5190 & subsequent.

To eliminate the possibility of popping noise when the phonographs' power is shut off, a .01 x 1.4 KV capacitor, part number 14-750, has been added to the a-c input of the power supply. The capacitor acts as a spark suppressor when the power switch is opened.

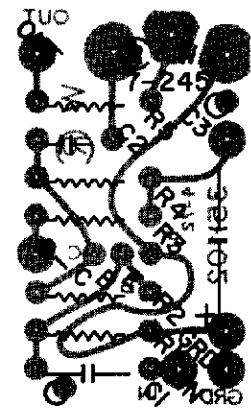
To provide protection against circuit overload, a circuit breaker, part number 25-273, has been added to the phonographs' power supply.







7-243

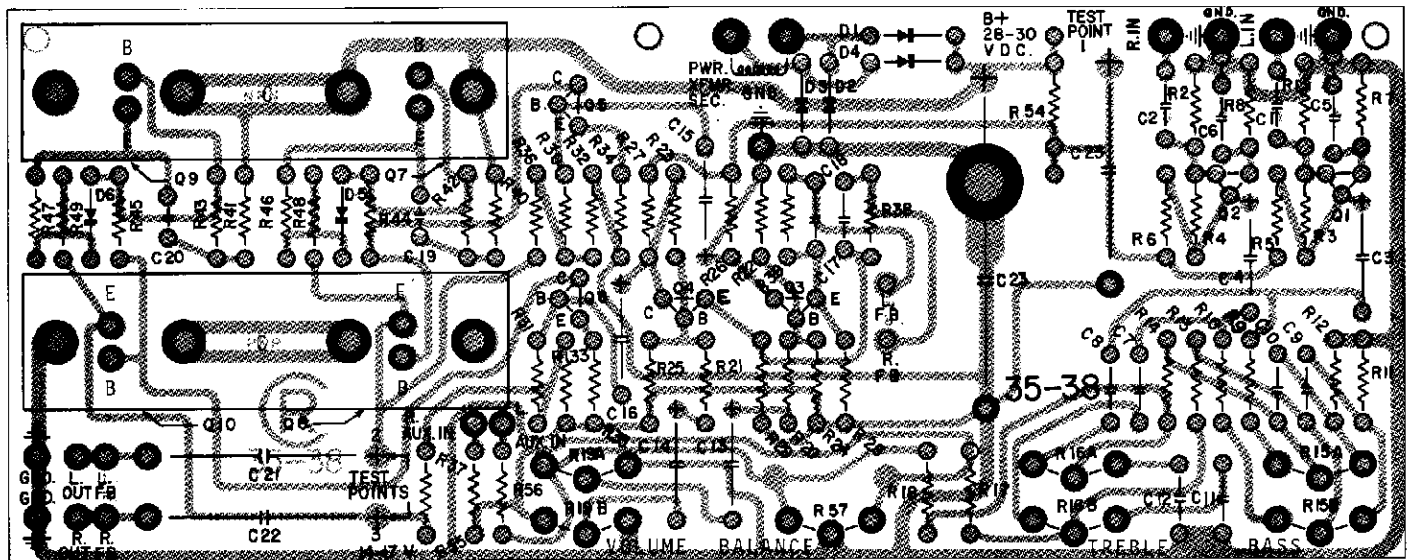
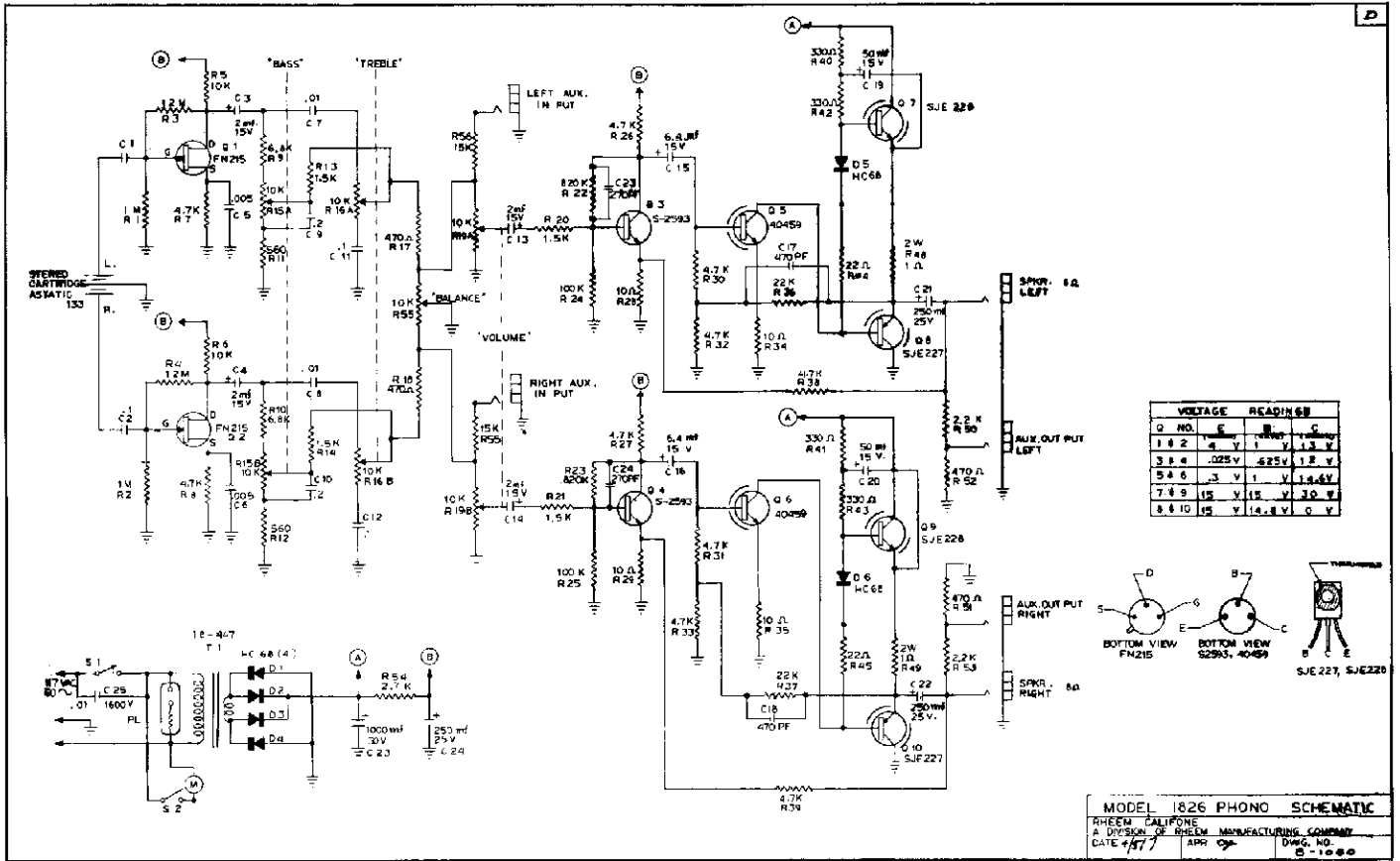


7-245

DESCRIPTION OF CHANGES: C1 was 470P; C2 was .01; C17 was 270P (deleted); C18 was .001; added C19; R4 was 470K; R6 was 1 Meg; added R19; R22 was 1 Meg.



MODEL 1826

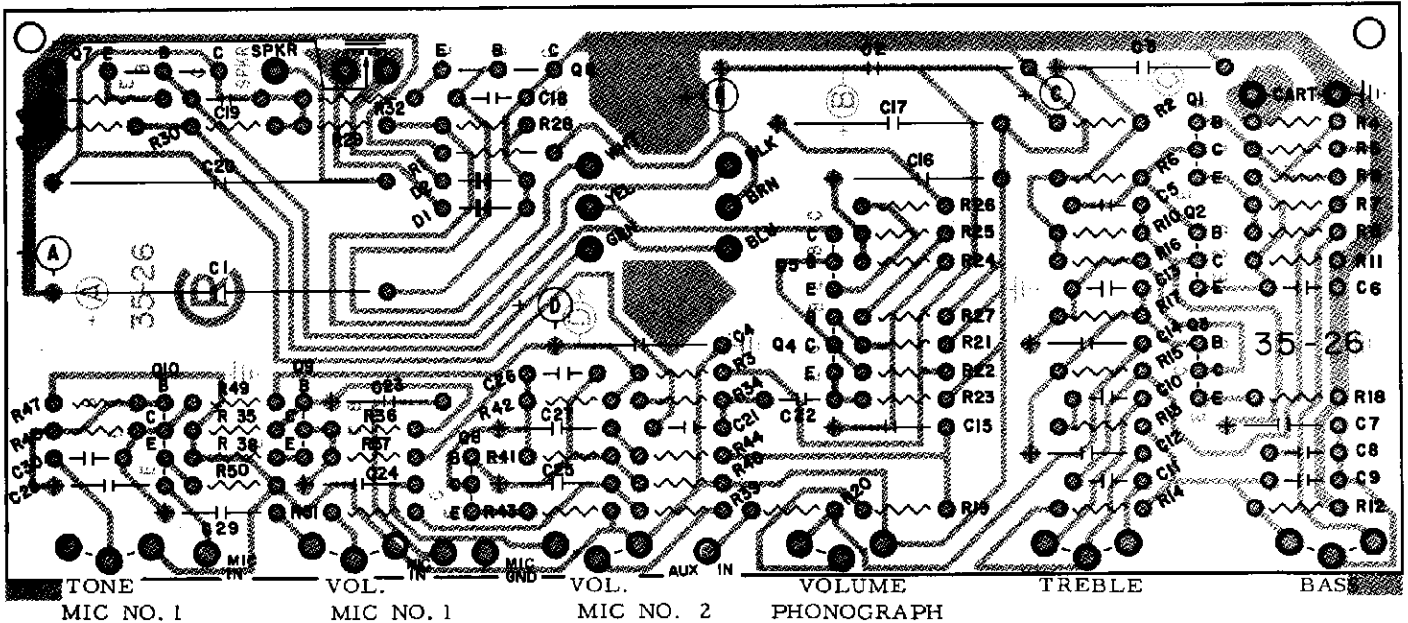
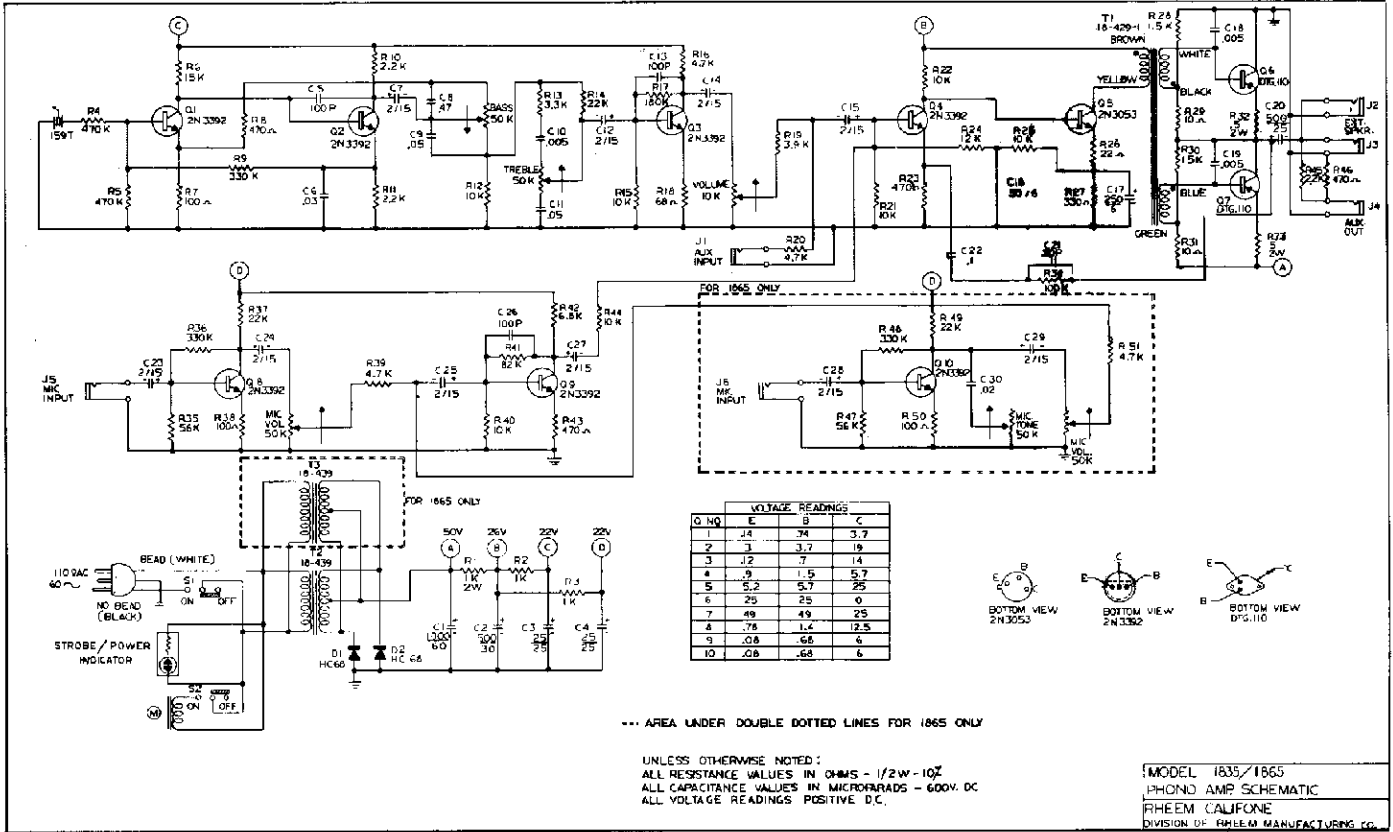


Transistor Voltage Chart

	Q1	Q2	Q3	Q4	Q5	Q6	Q7	Q8	Q9	Q10
E	4V	4V	.025V	.025V	.3V	.3V	15V	15V	15V	15V
B	1V	1V	.625V	.625V	1V	1V	15V	14.6V	15V	14.6V
C	13V	13V	12V	12V	14.6V	14.6V	30V	0V	30V	0V



Model 1835/1865

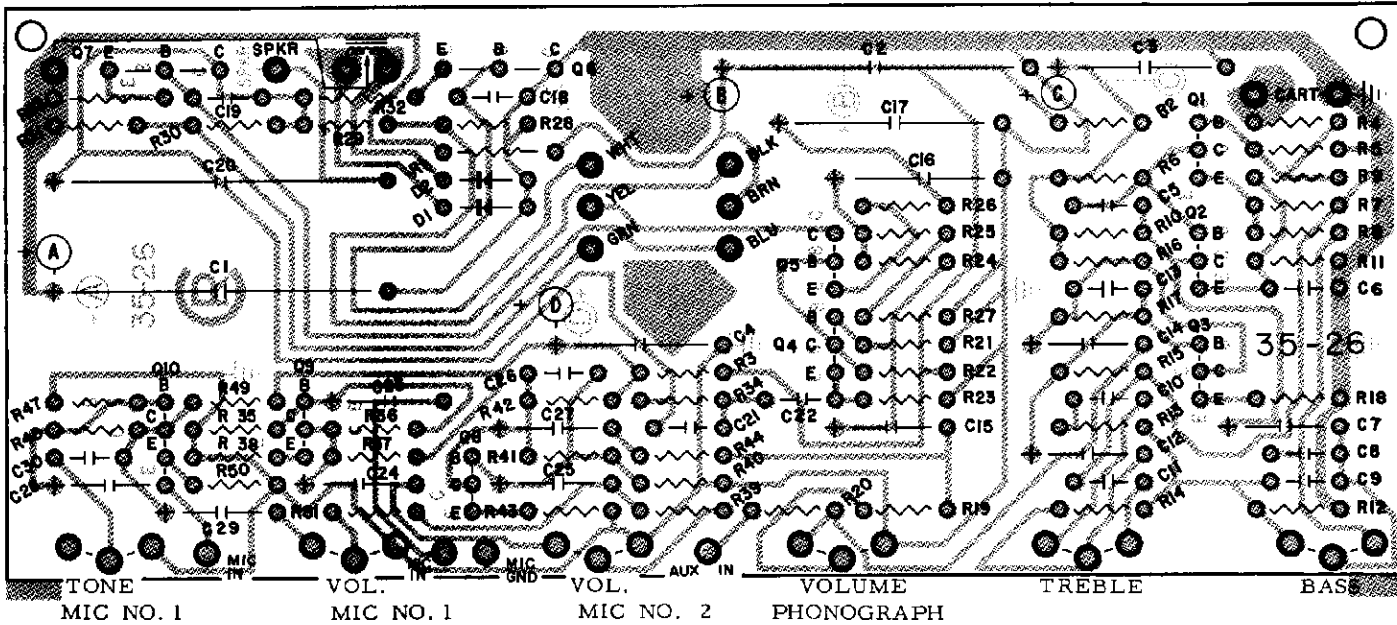
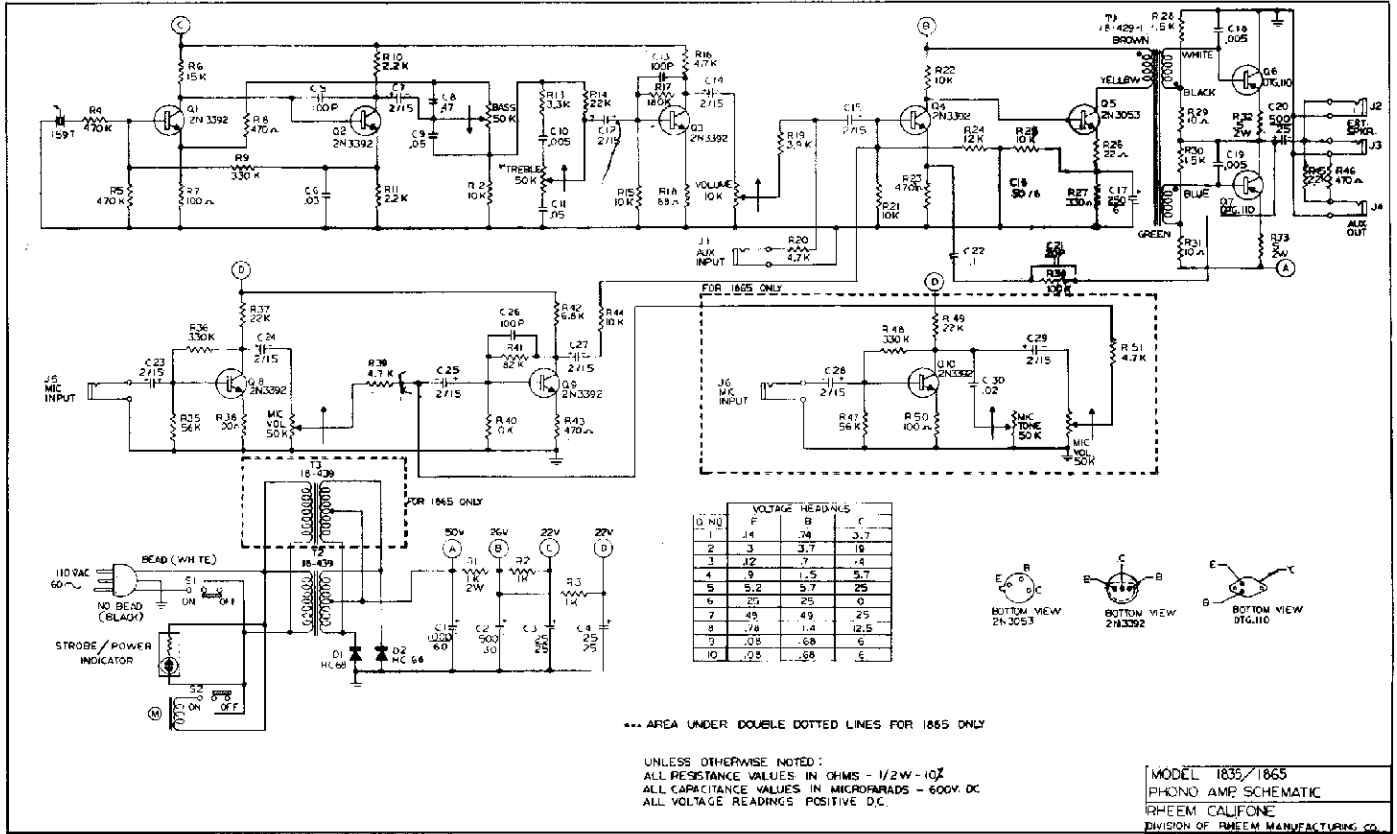


Transistor Voltage Chart

	Q1	Q2	Q3	Q4	Q5	Q6	Q7	Q8	Q9	Q10
E	.14V	3V	.12V	.9V	5.2V	25V	49V	.78V	.08V	.08V
B	.74V	3.7V	.7V	1.5V	5.7V	25V	49V	1.4V	.68V	.68V
C	3.7V	19V	14V	5.7V	25V	0V	25V	12.5V	6V	6V



MODEL 1835A/1865A



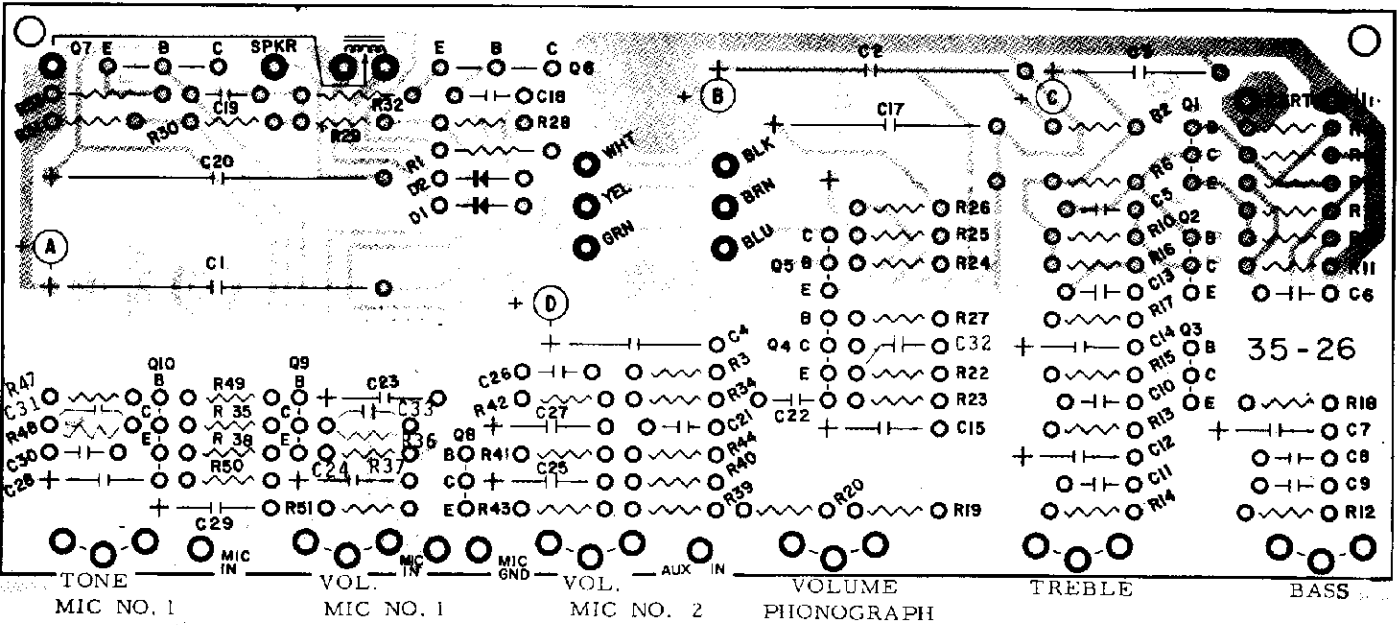
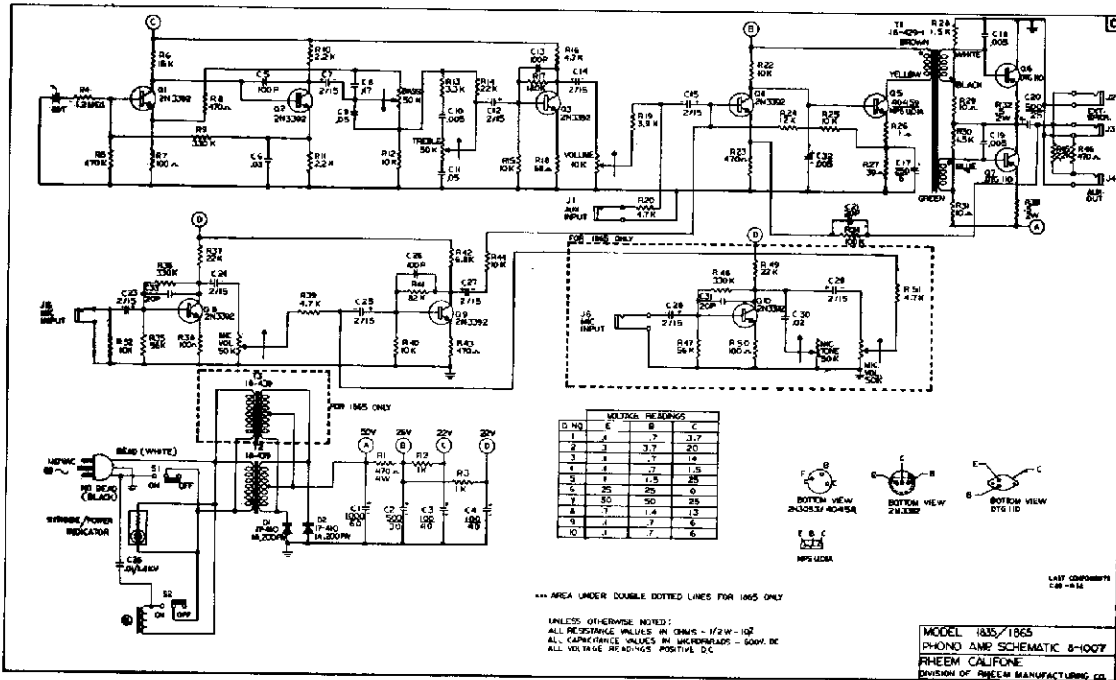
Transistor Voltage Chart

	Q1	Q2	Q3	Q4	Q5	Q6	Q7	Q8	Q9	Q10
E	.14V	3V	.12V	.9V	5.2V	25V	49V	.78V	.08V	.08V
B	.74V	3.7V	.7V	1.5V	5.7V	25V	49V	1.4V	.68V	.68V
C	3.7V	19V	14V	5.7V	25V	0V	25V	12.5V	6V	6V



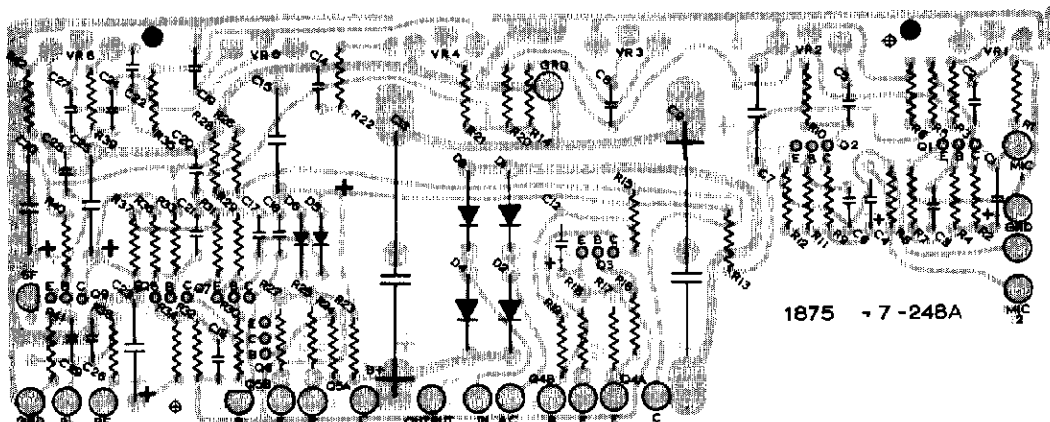
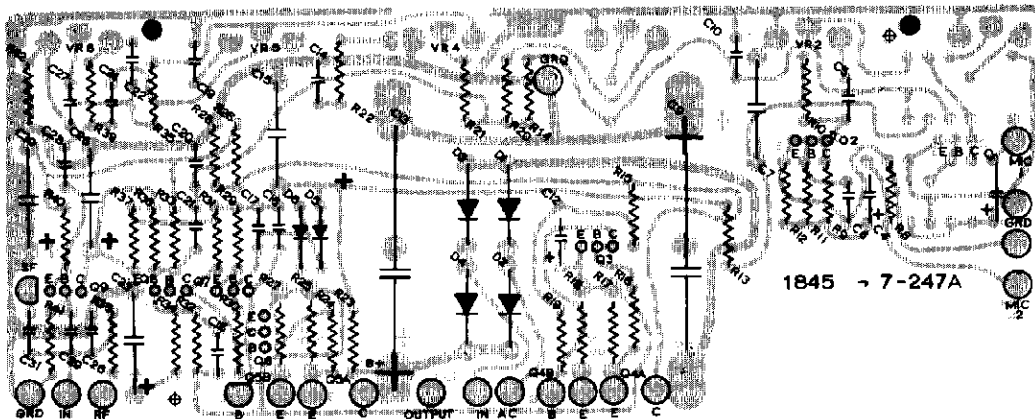
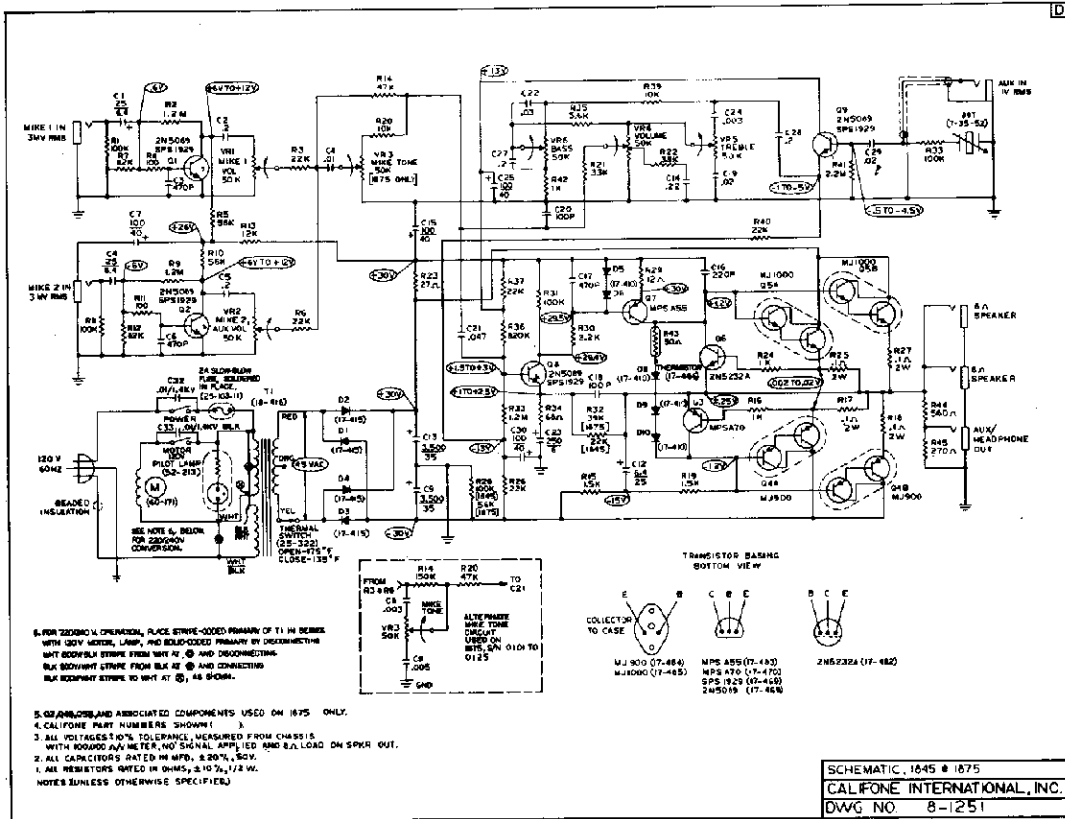
MODEL 1835A/1865A

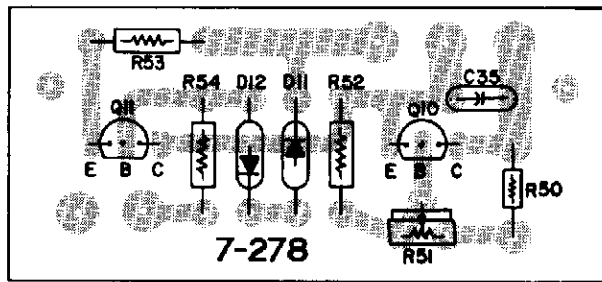
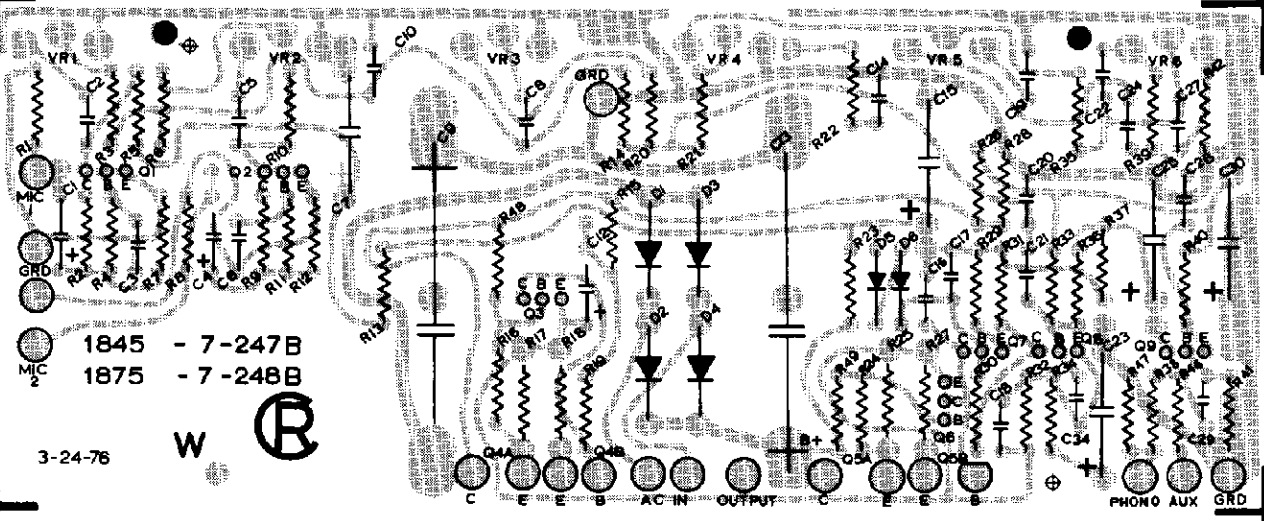
Effectivity: 1835A Serial Numbers 183623-5851 & Up
1865A Serial Numbers 186618-1952 & Up



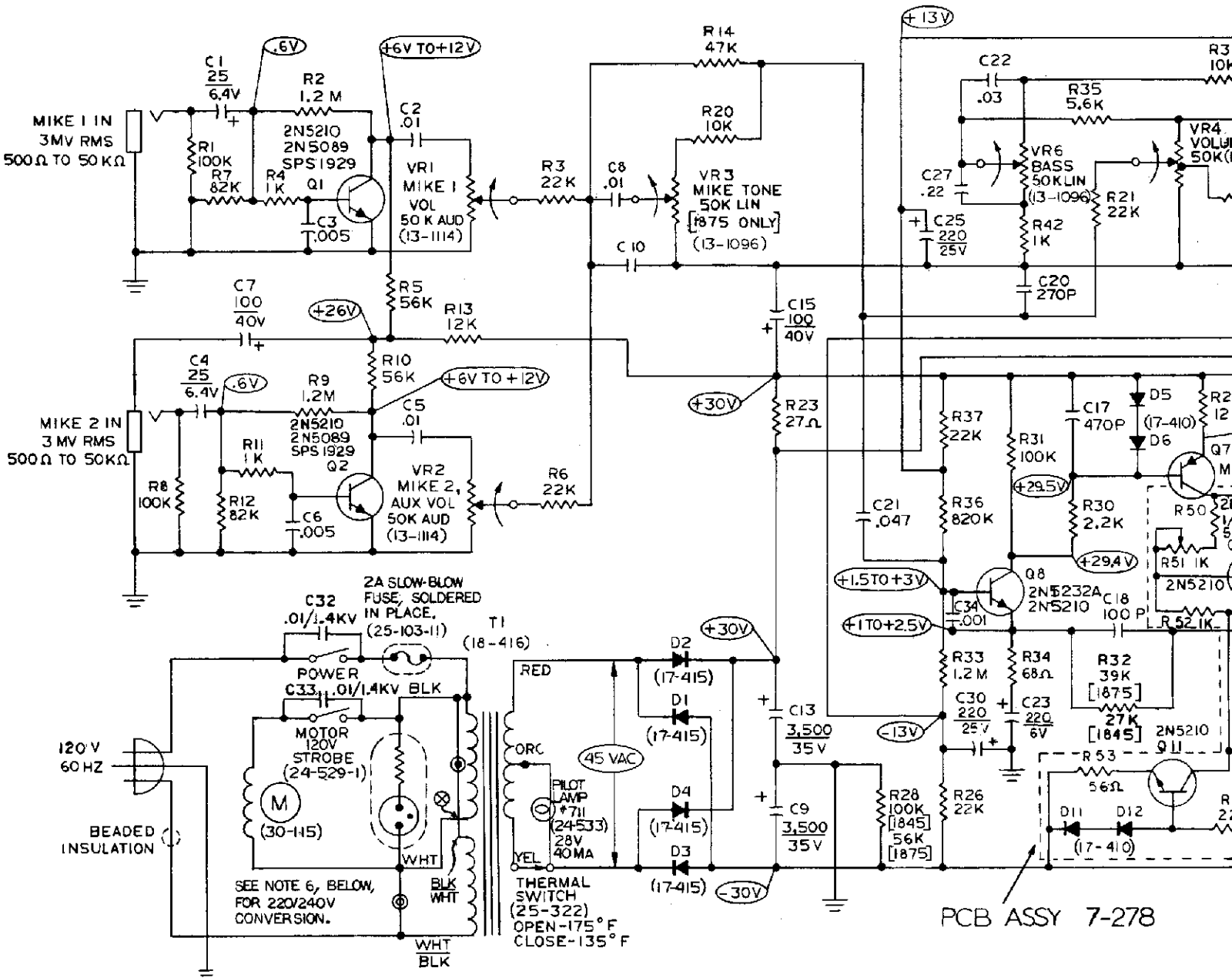
Transistor Voltage Chart

	Q1	Q2	Q3	Q4	Q5	Q6	Q7	Q8	Q9	Q10
E	.14V	3V	.12V	.9V	5.2V	25V	49V	.78V	.08V	.08V
B	.74V	3.7V	.7V	1.5V	5.7V	25V	49V	1.4V	.68V	.68V
C	3.7V	19V	14V	5.7V	25V	0V	25V	12.5V	6V	6V





1845 AMPLIFIER P/N 7-247 ON CIRCUIT BOARD P/N 35-104.
 1875 AMPLIFIER P/N 7-248 ON CIRCUIT BOARD P/N 35-104.



7. ADD (-01) TO (30-xxx) 60 HZ MOTOR PART NO. TO ORDER CORRECT 50 HZ EQUIVALENT. EXAMPLE: (30-121) FOR 60 HZ BECOMES (30-121-01) FOR 50 HZ.

6. FOR 220/240 V. OPERATION, PLACE STRIPE-CODED PRIMARY OF T1 IN SERIES WITH 120V MOTOR, LAMP, AND SOLID-CODED PRIMARY BY DISCONNECTING WHT BODY/BLK STRIPE FROM WHT AT (⊙) AND DISCONNECTING BLK BODY/WHT STRIPE FROM BLK AT (⊙) AND CONNECTING BLK BODY/WHT STRIPE TO WHT AT (⊗), AS SHOWN.

6. BIAS VOLTAGES MEASURED ACROSS EMITTER RESISTORS R17, R18, R25, R27.

5. Q1, Q4B, Q5B, AND ASSOCIATED COMPONENTS USED ON 1875 ONLY.

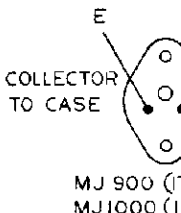
4. CALIFONE PART NUMBERS SHOWN ().

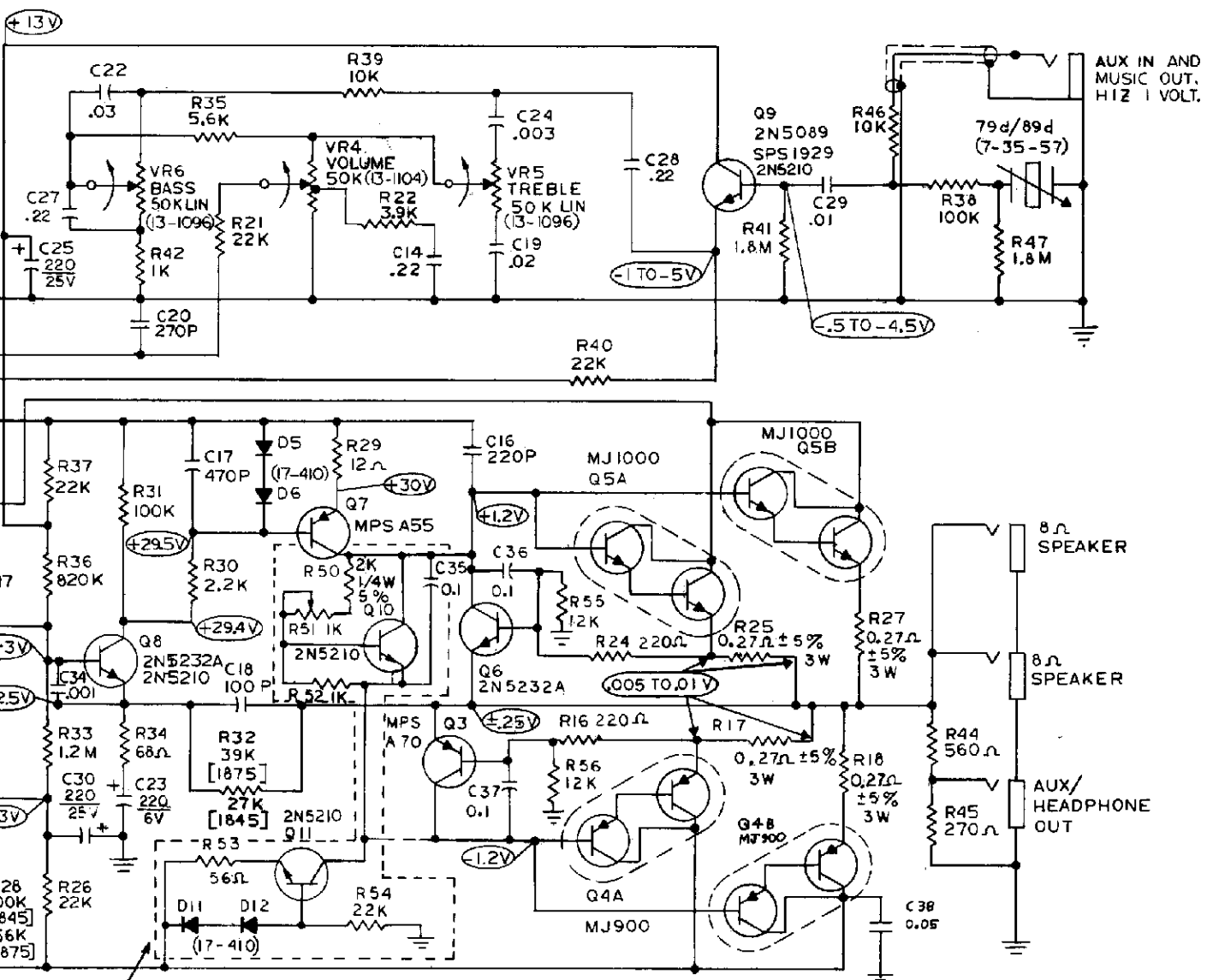
3. ALL VOLTAGES ±10% TOLERANCE, MEASURED FROM CHASSIS WITH 100,000 Ω/V METER, NO SIGNAL APPLIED AND 8 Ω LOAD ON SPKR OUT.

2. ALL CAPACITORS RATED IN MFD, ±20%, 50V.

1. ALL RESISTORS RATED IN OHMS, ±10%, 1/2 W.

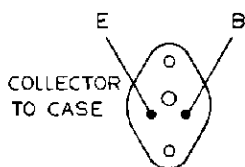
NOTES (UNLESS OTHERWISE SPECIFIED)



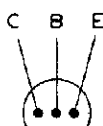


PCB ASSY 7-278

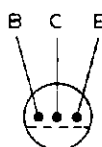
TRANSISTOR BASING
BOTTOM VIEW



MJ 900 (17-484)
MJ1000 (17-485)



MPS A55 (17-483)
MPS A70 (17-476)
SPS 1929 (17-469)
2N5089 (17-469)
2N5210 (17-494-I)



2N5232A (17-482)

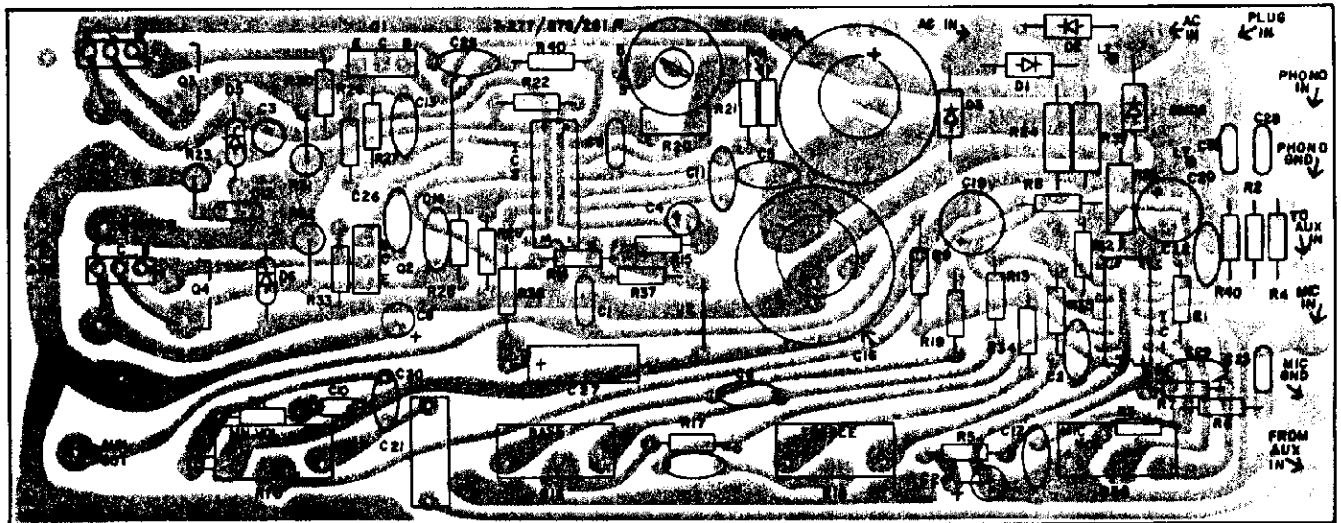
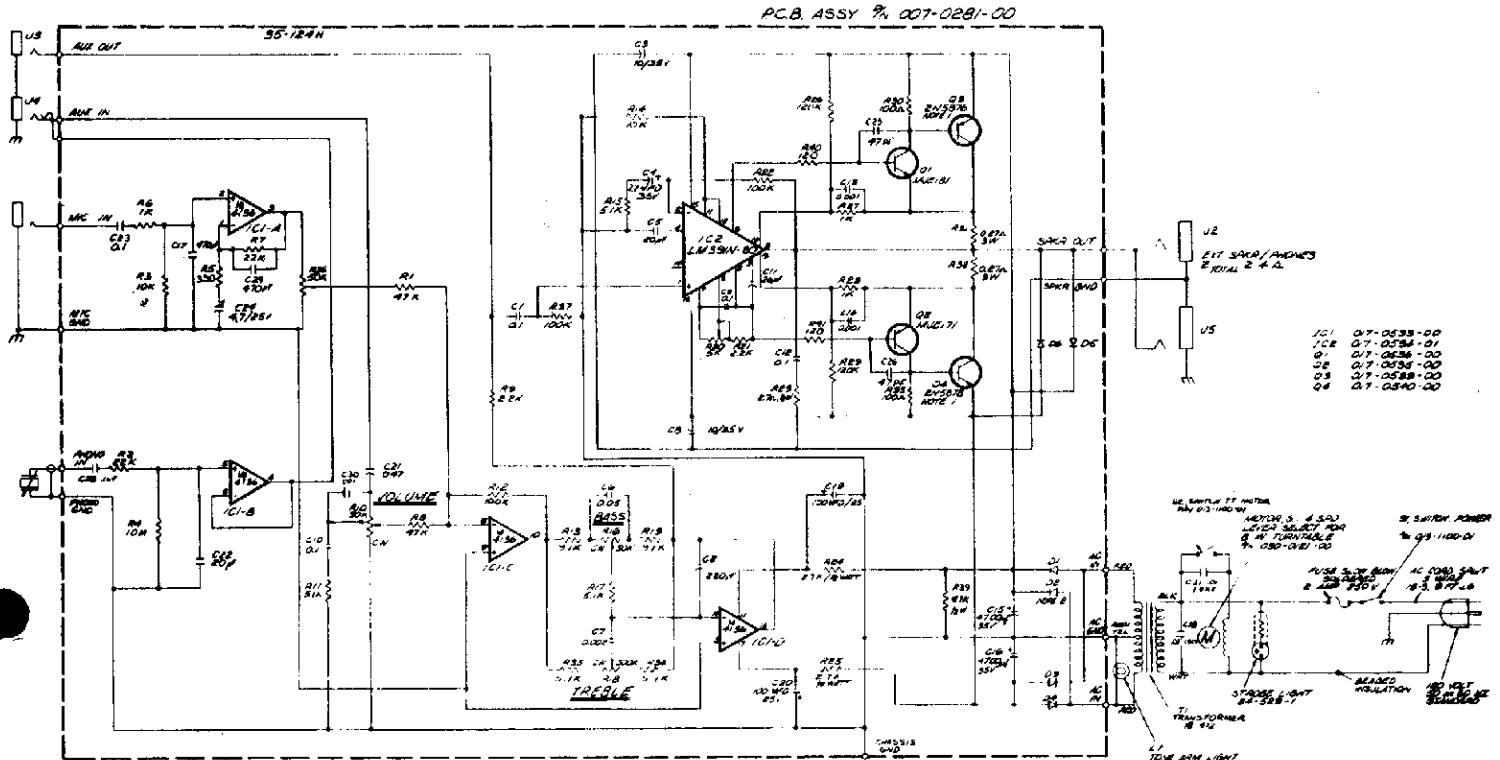


5922 BOWCROFT ST. • LOS ANGELES, CA 90016

(213) 870-9631

SERVICE DATA SHEET MODEL 1925

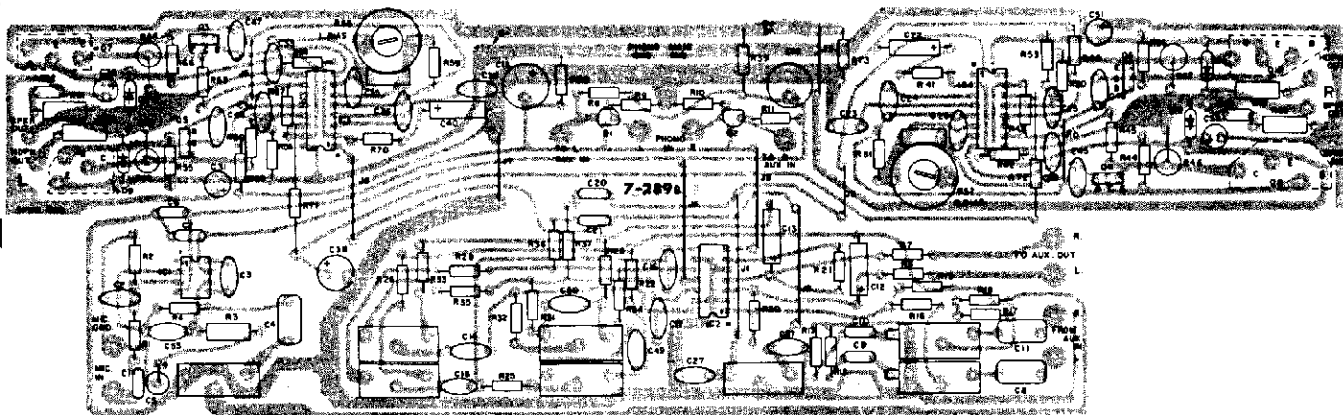
EFFECTIVE FOR UNITS WITH
SERIAL NO. BA-00001 AND AFTER



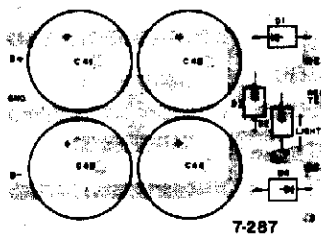


**SERVICE DATA
MODEL 2155**

5922 BOWCROFT ST. • LOS ANGELES, CA 90016 • (213) 870-9631



Parts Layout, Main P.C. Board



Parts Layout, Power Supply P.C. Board

SPECIFICATIONS

RATED POWER: 30 Watts per Channel into 8 ohms with less than 0.05% Total Harmonic Distortion at 1 kHz.

INPUT SENSITIVITY: Mic - 5 mV RMS
Phono - 500 mV RMS
Aux - 500 mV RMS

INTERNAL ADJUSTMENTS

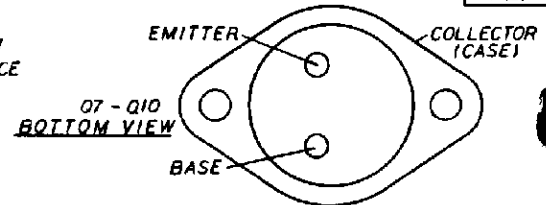
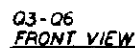
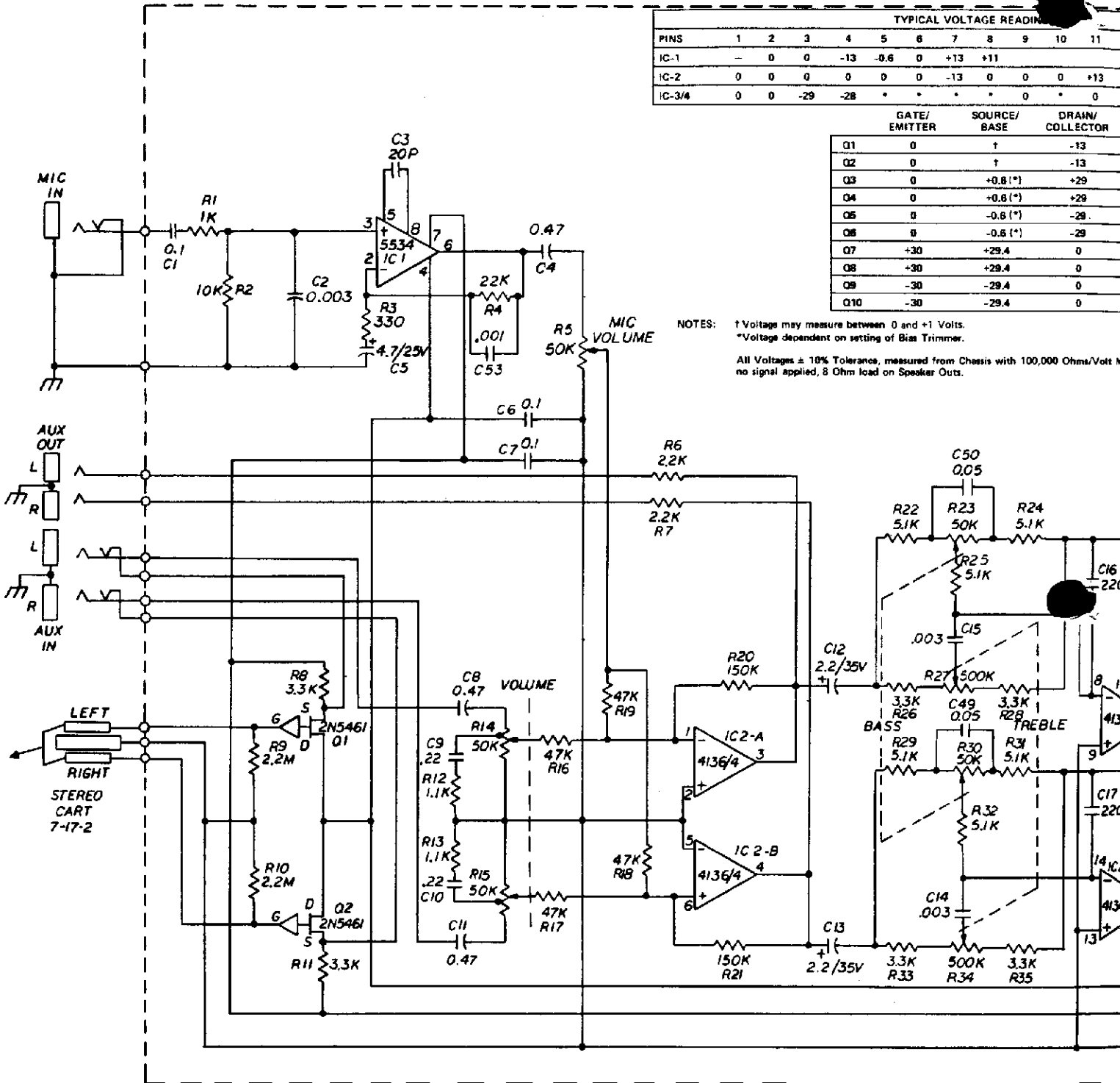
BIAS ADJUSTMENT:

1. Turn unit off. Attach voltmeter capable of reading 10 mV RMS (0.01V RMS) between collectors of output transistors Q7 and Q9.
2. Turn unit on and wait 5 minutes, then adjust Bias Trimmer Resistor R58 so meter reads 10mV RMS.
3. Repeat steps 1 and 2 for transistors Q8 and Q10 and Bias Trimmer Resistor R52.

TYPICAL VOLTAGE READINGS											
PINS	1	2	3	4	5	6	7	8	9	10	11
IC-1	-	0	0	-13	-0.6	0	+13	+11			
IC-2	0	0	0	0	0	0	-13	0	0	0	+13
IC-3/4	0	0	-29	-28	*	*	*	*	0	*	0

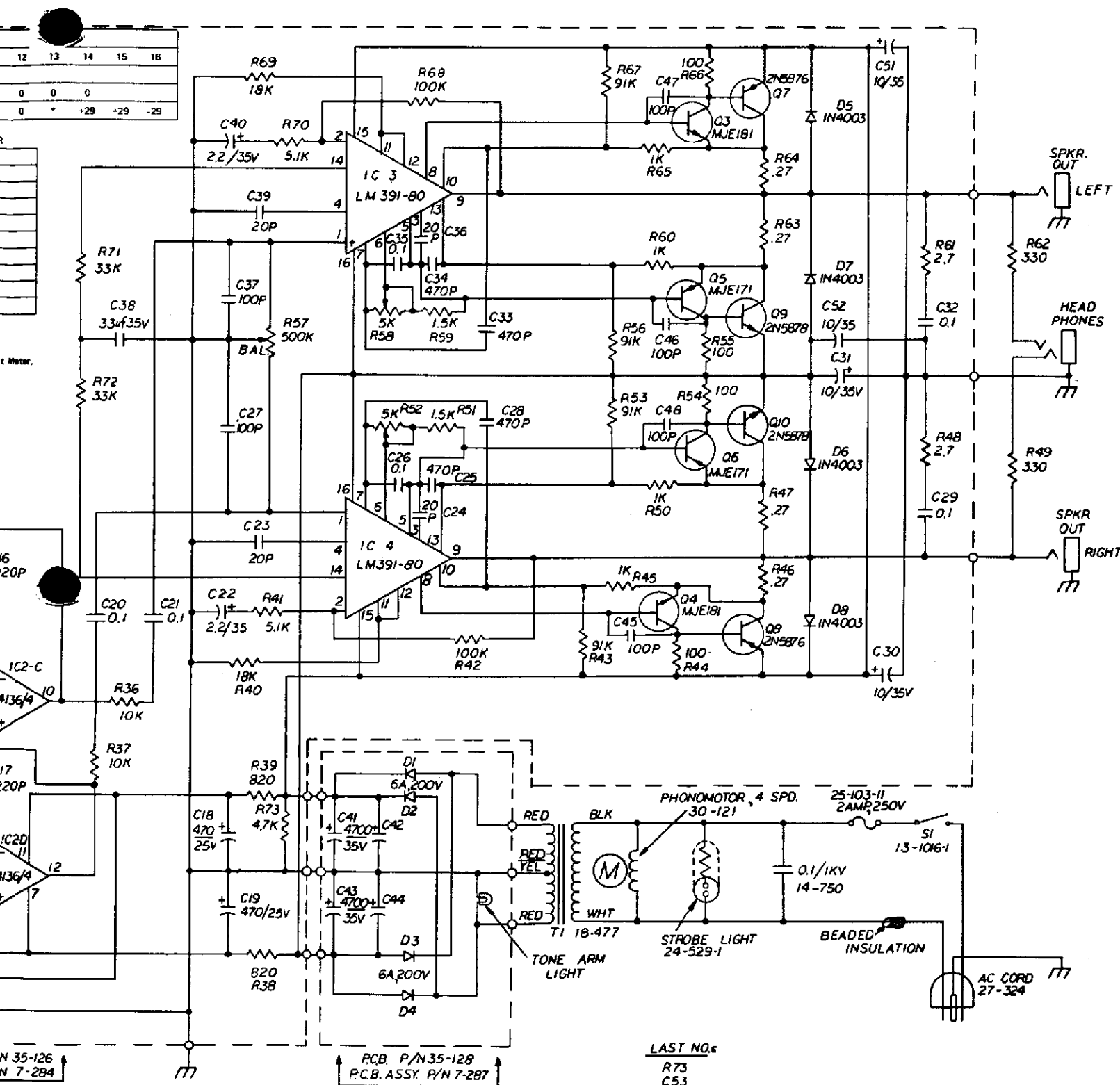
	GATE/EMITTER	SOURCE/BASE	DRAIN/COLLECTOR
Q1	0	†	-13
Q2	0	†	-13
Q3	0	+0.6 (*)	+29
Q4	0	+0.6 (*)	+29
Q5	0	-0.6 (*)	-29
Q6	0	-0.6 (*)	-29
Q7	+30	+29.4	0
Q8	+30	+29.4	0
Q9	-30	-29.4	0
Q10	-30	-29.4	0

NOTES: † Voltage may measure between 0 and +1 Volts.
 * Voltage dependent on setting of Bias Trimmer.
 All Voltages ± 10% Tolerance, measured from Chassis with 100,000 Ohms/Volt M, no signal applied, 8 Ohm load on Speaker Outs.



PCB, P/N
P.C.B. ASSY. P/N

REV	DESCRIPTION	DATE	APPD
A	REVISED PER ECN#2292	12/1/80	KWC
B	REVISED PER ECN#		



PART NUMBERS

- IC 1 17-541
- IC 2 17-533
- IC 3,4 17-534-1
- D1-D4 17-415
- D5-D9 17-410
- Q1, Q2 17-478
- Q3, Q4 17-536
- Q5, Q6 17-535
- Q7, Q8 17-539
- Q9, Q10 17-540
- Q11 17-476

LAST NO.:

- R73
- C53
- D8
- Q10
- IC4

CALIFONE INTERNATIONAL, INCORPORATED
 LOS ANGELES, CALIFORNIA

TITLE: **SCHEMATIC MODEL 2155**

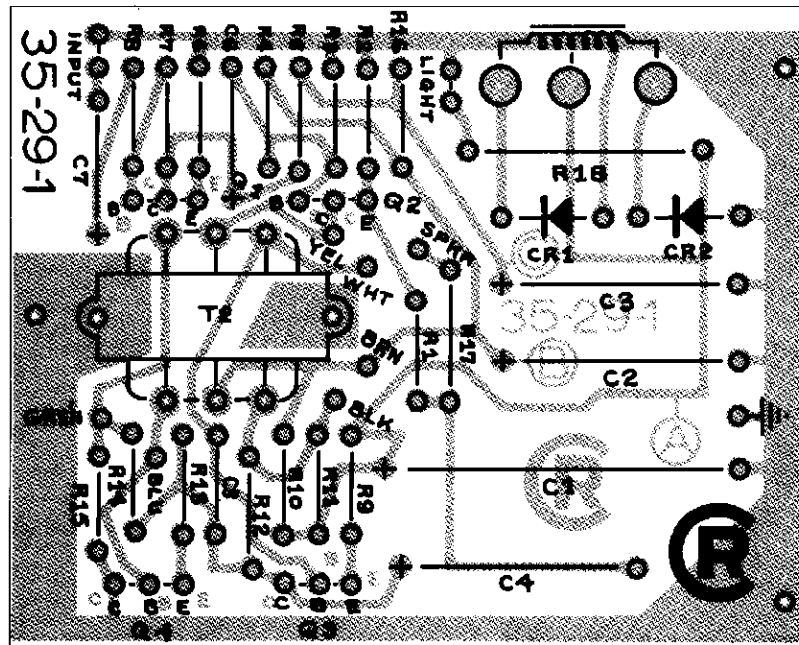
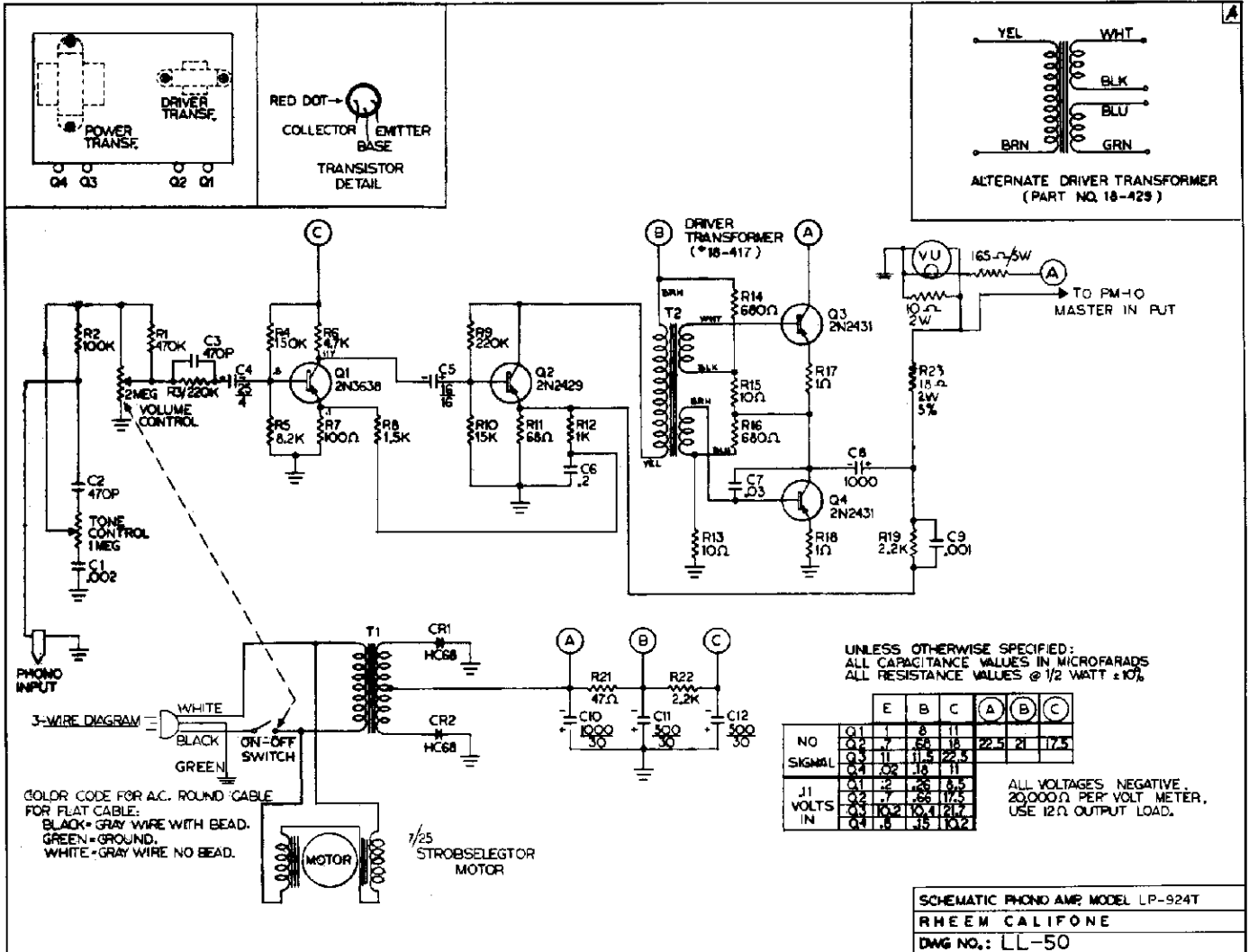
OWN: **K. COOPER** DATE: **AUG 28 80** APPD: **MDC** DATE: **11/8/80**

TOLERANCES UNLESS OTHERWISE NOTED: METRICS: *** 1.008, ** 1.01, * 1.025; INCHES: *** 1.022, ** 1.024, * 1.010

SCALE: **NONE** DRAWING NO: **008-1412-00** REV: **B**



MODEL LP-924T





MODEL LP-924 TA

