

SERVICE MANUAL

COMPACT DISC /
STEREO CASSETTE RECORDER

BASIC TAPE MECHANISM : TN-21ZVC-2000
BASIC CD MECHANISM : CMS-B31TG6

- This Service Manual is the "Revision Publishing" and replaces "Simple Manual", (S/M Code No. 09-99C-424-9T1).
- If requiring information about the CD mechanism, see Service Manual of CMS-B31TG6, (S/M Code No. 09-001-341-1N2).

SPECIFICATIONS

Tuner section

Frequency range	87.5 MHz - 108 MHz
FM :	Antenna : Rod antenna
AM<U> :	530/531 kHz - 1,710/1,602 kHz (10/9 kHz/step)
MW<LH> :	Antenna : Ferrite bar antenna 531/530 kHz - 1,602/1,710 kHz (9/10 kHz/step)
LW<LH> :	Antenna : Ferrite bar antenna 153 - 288 kHz Antenna : Ferrite bar antenna

Deck section

Track format	4 tracks, 2 channels
Frequency range	Normal tape : 50 Hz-12,500 Hz (EIAJ)
Recording system	AC bias
Erasing system	Magnet erase
Heads	Recording/Playback head x 1/ Erasure head x 1

CD player section

Disc	Compact disc
Scanning method	Non-contact optical scanner (semiconductor laser)

General

Speaker	100 mm cone type (2), 60 mm cone type (2)
Output	Headphones jack (stereo mini-jack)
Power output	U : 2.5 W + 2.5 W (EIAJ 7 ohms DC) LH : 5 W + 5 W (DIN MUSIC POWER) 4.5 W + 4.5 W (EIAJ 3.2 ohms, T.H.D. 10%) 3.3 W + 3.3 W (DIN 1% Rated Power)
Power requirements	U : DC 12 V using eight R14 (size C) batteries, AC 120 V, 60 Hz LH : DC 12 V using eight R14 (size C) batteries, 120 V / 220-230 V / 240 V AC, switchable 50/60 Hz
Power consumption	U : 12 W LH : 22 W
Dimensions (W x H x D)	460 (W) x 191.9 (H) x 261.2 (D) mm (18 ¹ / ₈ x 7 ⁵ / ₈ x 10 ³ / ₈ in.)
Weight	4 kg (8 lbs. 13 oz.) (excluding batteries)

• Design and specifications are subject to change without notice.

ACCESSORIES / PACKAGE LIST

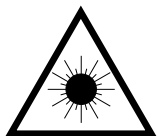
REF. NO.	PART NO.	KANRI NO.	DESCRIPTION
	1 8A-CH4-903-010	IB,U (ESF) B<U>	
	1 8A-CHE-902-010	IB,LH (ESP) B<LH>	
⚠	2 87-A80-036-010	AC CORD SET ASSY,E W/FLTR V<LH>	
⚠	2 87-A80-109-010	AC CORD,HK7281 BLK U<U>	
	3 8Z-CK4-962-010	RC UNIT,RC-ZAT04 (VS)	
⚠	4 87-A91-017-010	PLUG,CONVERSION JT-0476<LH>	

PROTECTION OF EYES FROM LASER BEAM DURING SERVICING

This set employs laser. Therefore, be sure to follow carefully the instructions below when servicing.

WARNING!

WHEN SERVICING, DO NOT APPROACH THE LASER EXIT WITH THE EYE TOO CLOSELY. IN CASE IT IS NECESSARY TO CONFIRM LASER BEAM EMISSION. BE SURE TO OBSERVE FROM A DISTANCE OF MORE THAN 30cm FROM THE SURFACE OF THE OBJECTIVE LENS ON THE OPTICAL PICK-UP BLOCK.



- Caution: Invisible laser radiation when open and interlocks defeated avoid exposure to beam.
- Advarsel: Usynlig laserstråling ved åbning, når sikkerhedsafbrydere er ude af funktion. Undgå udsættelse for stråling.

VAROITUS!

Laiteen Käyttäminen muulla kuin tässä käyttöohjeessa mainitulla tavalla saattaa altistaa käyttäjän turvallisuusluokan 1 ylittävälle näkymättömälle lasersäteilylle.

WARNING!

Om apparaten används på annat sätt än vad som specificeras i denna bruksanvisning, kan användaren utsättas för osynlig laserstråling, som överskrider gränsen för laserklass 1.

CAUTION

Use of controls or adjustments or performance of procedures other than those specified herein may result in hazardous radiation exposure.

ATTENTION

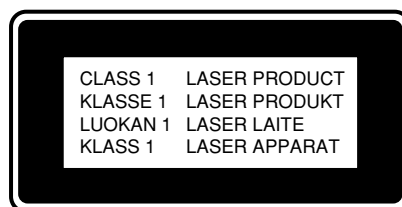
L'utilisation de commandes, réglages ou procédures autres que ceux spécifiés peut entraîner une dangereuse exposition aux radiations.

ADVARSEL!

Usynlig laserstråling ved åbning, når sikkerhedsafbrydere er ude af funktion. Undgå udsættelse for stråling.

This Compact Disc player is classified as a CLASS 1 LASER product.

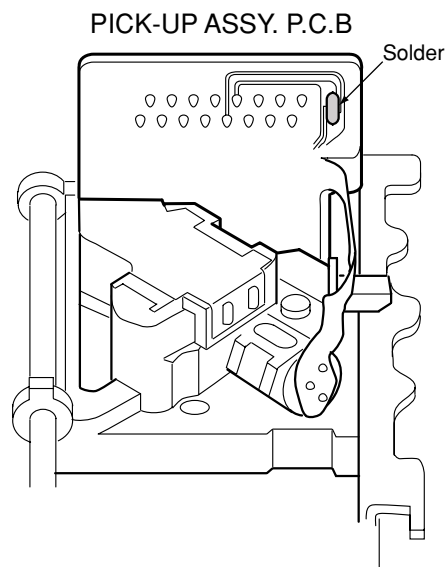
The CLASS 1 LASER PRODUCT label is located on the rear exterior.



Precaution to replace Optical block

Body or clothes electrostatic potential could ruin laser diode in the optical block. Be sure ground body and workbench, and use care the clothes do not touch the diode.

- 1) After the connection, remove solder shown in the right figure.



ELECTRICAL MAIN PARTS LIST

REF. NO.	PART NO.	KANRI NO.	DESCRIPTION	REF. NO.	PART NO.	KANRI NO.	DESCRIPTION
IC				C810	87-010-405-080		CAP, ELECT 10-50V<83LH>
	87-A21-550-010		IC,TA2149N	C811	87-010-178-080		CHIP CAP 1000P
	87-A21-185-040		C-IC,LC72121M	C812	87-010-178-080		CHIP CAP 1000P
	87-A21-064-010		IC,LA4227<81U>	C816	87-010-180-080		C-CER 1500P
	87-A21-090-010		IC,LA4600<83LH>	C817	87-010-180-080		C-CER 1500P
	87-A21-520-040		C-IC,M61509FP	C821	87-010-401-080		CAP, ELECT 1-50V
	87-A20-446-010		C-IC,LA9241ML	C822	87-010-401-080		CAP, ELECT 1-50V
	87-A20-459-010		C-IC,LC78622ED	C823	87-010-178-080		CHIP CAP 1000P
	87-A21-093-010		IC,LA6541D	C824	87-010-178-080		CHIP CAP 1000P
	8A-CH4-661-010		C-IC,LC867132V-5G68	C829	87-010-178-080		CHIP CAP 1000P
	87-A21-431-010		IC,BA4560N	C830	87-010-178-080		CHIP CAP 1000P
	87-A21-245-010		IC,RPM6938-V4	C833	87-018-195-080		CAP, CER 1200P-16V
TRANSISTOR				C834	87-010-248-080		CAP, ELECT 220-10V
	89-327-143-080		TR,2SC2714 (0.1W)	C843	87-010-197-080		CAP, CHIP 0.01 DM
	87-026-447-080		TR,2SC1740SR	C844	87-018-124-080		CAP, CER 270P-50V
	89-111-624-080		TR,2SA1162Y	C845	87-010-178-080		CHIP CAP 1000P
	87-026-213-080		CHIP-TR,DTC114YK	C846	87-010-263-080		CAP, ELECT 100-10V
	89-327-125-080		CHIP TR,2SC2712GR	C851	87-010-186-080		CAP,CHIP 4700P
	89-318-154-080		TR,2SC1815 (0.4W)	C852	87-010-178-080		CHIP CAP 1000P
	89-112-965-080		TR,2SA1296 (0.75W)	C853	87-018-211-080		CAP, CER 0.01-50
	87-026-463-080		TR,2SA933S (0.3W)	CN201	87-099-018-010		CONN,16P
	87-026-291-080		TR,DTC124XS	CN801	87-A60-110-010		CONN,4P V S2M-4W
	89-213-702-080		TR,2SB1370E	CNA302	8A-CH4-629-010		CONN ASSY, 6P MA-TU
	87-026-462-080		TR,2SC1740 S(RS 0.3W)	CNA801	8A-CD9-630-010		CONN ASSY, 4P RPH
	89-109-332-380		TR,2SA933RS	FC201	8A-CD9-620-010		FF-CABLE, 16P FR-MAIN
	89-113-187-080		TR,2SA1318TU	L801	87-007-342-010		COIL,OSC 85K BIAS
	87-026-239-080		TR,DTC114TK	SW801	8Z-CD9-609-010		SW,SL 1-6-2 PS62D01
	87-026-210-080		TR,DTC144EK	CD C.B			
	87-026-464-080		TR,DTC114TS (0.3W)	C30	87-010-260-080		CAP, ELECT 47-25V
DIODE				C263	87-010-178-080		CHIP CAP 1000P
	87-020-465-080		DIODE,1SS133 (110MA)	C264	87-010-178-080		CHIP CAP 1000P
	87-017-072-080		ZENER,HZS3B1	C265	87-010-263-080		CAP, ELECT 100-10V<81U>
	87-027-703-080		ZENER,HZ7A1L<81U>	C266	87-010-545-080		CAP, ELECT 0.22-50V<83LH>
	87-027-607-080		ZENER,HZ7B3L<83LH>	C266	87-010-263-080		CAP, ELECT 100-10V<81U>
	87-A40-648-080		ZENER,MTZJ8.2A	C267	87-010-545-080		CAP, ELECT 0.22-50V<83LH>
	87-070-345-080		DIODE,IN4148	C267	87-010-112-080		CAP, ELECT 100-16V<81U>
	87-017-978-080		DIODE,1N4003	C268	87-010-112-080		CAP, ELECT 100-16V<81U>
	87-027-702-080		DIODE,ZENER HZ6C2L (200MA)	C271	87-010-237-080		CAP, ELECT 1000-16V<83LH>
	87-A40-465-010		DIODE,FR202	C271	87-010-221-080		CAP, ELECT 470-10V<81U>
MAIN C.B				C272	87-010-237-080		CAP, ELECT 1000-16V<83LH>
C211	87-010-805-080		CAP, S 1-16	C272	87-010-221-080		CAP, ELECT 470-10V<81U>
C212	87-010-805-080		CAP, S 1-16	C277	87-010-404-080		CAP, ELECT 4.7-50V<83LH>
C215	87-016-460-080		C-CAP,S 0.22-16 B	C278	87-010-405-080		CAP, ELECT 10-50V<81U>
C216	87-016-460-080		C-CAP,S 0.22-16 B	C278	87-010-263-080		CAP, ELECT 100-10V<83LH>
C231	87-010-213-080		C-CAP,S 0.015-50 B	C279	87-010-263-080		CAP, ELECT 100-10V<83LH>
C232	87-010-213-080		C-CAP,S 0.015-50 B	C279	87-010-385-080		CAP, ELECT 220-25V<81U>
C233	87-A10-201-080		C-CAP,S0.33-16 KB	C301	87-016-495-000		CAP,E 3300-25 M SMG
C234	87-A10-201-080		C-CAP,S0.33-16 KB	C302	87-010-265-080		CAP, ELECT 33-16 M<83LH>
C235	87-016-669-080		C-CAP,S 0.1-25 K B	C306	87-010-404-080		CAP, ELECT 4.7-50V
C236	87-016-669-080		C-CAP,S 0.1-25 K B	C307	87-010-401-080		CAP, ELECT 1-50V
C237	87-010-371-080		CAP, ELECT 470-6.3M	C308	87-010-221-080		CAP, ELECT 470-10V
C239	87-010-197-080		CAP, CHIP 0.01 DM	C311	87-010-265-080		CAP, ELECT 33-16M
C240	87-010-197-080		CAP, CHIP 0.01 DM	C312	87-010-385-080		CAP, ELECT 220-25V
C247	87-010-401-080		CAP, ELECT 1-50V	C321	87-010-197-080		CAP, CHIP 0.01 DM
C248	87-010-401-080		CAP, ELECT 1-50V	C322	87-010-263-080		CAP, ELECT 100-10V
C310	87-010-248-080		CAP, ELECT 220-10V	C325	87-010-405-080		CAP, ELECT 10-50V
C801	87-010-248-080		CAP, ELECT 220-10V	C401	87-010-403-080		CAP, ELECT 3.3-50V
C805	87-012-365-080		C-CAP,S 0.027-25VBK	C402	87-010-197-080		CAP, CHIP 0.01 DM
C806	87-012-365-080		C-CAP,S 0.027-25VBK	C403	87-010-263-080		CAP, ELECT 100-10V
C807	87-010-405-080		CAP, ELECT 10-50V	C404	87-010-248-080		CAP, ELECT 220-10V
C808	87-010-405-080		CAP, ELECT 10-50V	C405	87-010-197-080		CAP, CHIP 0.01 DM
C809	87-010-401-080		CAP, ELECT 1-50V<81U>	C406	87-010-374-080		CAP, ELECT 47-10V
C809	87-010-405-080		CAP, ELECT 10-50V<83LH>	C407	87-010-178-080		CHIP CAP 1000P
C810	87-010-401-080		CAP, ELECT 1-50V<81U>	C408	87-010-198-080		CAP, CHIP 0.022
				C409	87-010-248-080		CAP, ELECT 220-10V
				C410	87-010-263-080		CAP, ELECT 100-10V
				C411	87-A11-177-080		C-CAP,S 0.15-16 K B
				C412	87-010-401-080		CAP, ELECT 1-50V

REF. NO.	PART NO.	KANRI NO.	DESCRIPTION	REF. NO.	PART NO.	KANRI NO.	DESCRIPTION
C413	87-016-369-080		C-CAP,S 0.033-25 B K	C506	87-010-322-080		C-CAP,S 100P-50 CH
C414	87-010-405-080		CAP, ELECT 10-50V	C510	87-012-368-080		C-CAP,S 0.1-50 F
C416	87-010-545-080		CAP, ELECT 0.22-50V	C831	87-010-198-080		CAP, CHIP 0.022
C417	87-012-157-080		C-CAP,S 330P-50 CH	CN202	8A-CH4-689-010		CONN,3P V 2.5
C418	87-010-213-080		C-CAP,S 0.015-50 B	CN205	87-A60-109-010		CONN,2P V S2M-2W
C419	87-A11-608-080		C-CAP,S 0.33-25 K B	CN301	8A-CH4-689-010		CONN,3P V 2.5
C420	87-016-369-080		C-CAP,S 0.033-25 B K	CN303	8A-CH4-686-010		CONN, 2P V 2.5
C421	87-A11-177-080		C-CAP,S 0.15-16 K B	CN304	8A-CH4-686-010		CONN, 2P V 2.5
C422	87-010-183-080		C-CAP,S 2700P-50 B	CN401	87-A60-424-010		CONN,16P V TOC-B
C423	87-010-956-080		CHIP-CAP,S 0.068-25B	CN403	87-099-201-010		CONN,8P 6216 H
C424	87-010-993-080		C-CAP,S 0.056-25 B	CN802	8A-CH4-692-010		CONN,4P H 2.5<83LH>
C425	87-010-176-080		C-CAP,S 680P-50 SL	CN802	8A-CH4-687-010		CONN,4P V 2.5<81U>
C426	87-A11-608-080		C-CAP,S 0.33-25 K B	CNA205	8A-CD9-626-010		CONN ASSY,2P DOOR
C428	87-010-197-080		CAP, CHIP 0.01 DM	CNA303	8A-CH4-634-010		CONN ASSY, 2P S-SP.L
C429	87-010-186-080		CAP,CHIP 4700P	CNA304	8A-CH4-635-010		CONN ASSY, 2P S-SP.R
C430	87-012-156-080		C-CAP,S 220P-50 CH	CNA402	8A-CD9-625-010		CONN ASSY,6P CD-ME
C431	87-010-545-080		CAP, ELECT 0.22-50V	CNA802	8A-CD9-631-010		CONN ASSY,4P TP-ME
C432	87-010-374-080		CAP, ELECT 47-10V	FC401	8A-CD9-621-010		FF-CABLE, 16P CD-RF
C433	87-010-401-080		CAP, ELECT 1-50V	FC403	8A-CD9-622-010		FF-CABLE, 8P CD-FR
C434	87-010-184-080		CHIP CAPACITOR 3300P(K)	L401	87-003-102-080		COIL, 10UH
C435	87-010-197-080		CAP, CHIP 0.01 DM	L404	87-003-152-080		COIL, 100UH
C436	87-010-374-080		CAP, ELECT 47-10V	R840	87-029-124-010		RES,FUSE 2.2-1/4
C437	87-010-404-080		CAP, ELECT 4.7-50V	SFR430	87-024-437-080		SFR,100K H RH063MC
C438	87-012-368-080		C-CAP,S 0.1-50 F	SW205	87-036-389-010		SW, PUSH 1-1-1 R8120125
C439	87-010-178-080		CHIP CAP 1000P	X401	8Z-CD5-633-010		VIB, CER16.93MHZ FCR16.93M2
C441	87-010-197-080		CAP, CHIP 0.01 DM				
C442	87-010-312-080		C-CAP,S 15P-50 CH		FRONT C.B		
C445	87-012-368-080		C-CAP,S 0.1-50 F				
C446	87-012-368-080		C-CAP,S 0.1-50 F				
C447	87-012-368-080		C-CAP,S 0.1-50 F	C601	87-010-313-080		CAP, CHIP 18P
C448	87-010-315-080		C-CAP,S 27P-50 CH	C602	87-010-315-080		C-CAP,S 27P-50 CH
C450	87-012-140-080		CAP 470P	C603	87-010-319-080		C-CAP,S 56P-50 CH
C451	87-012-156-080		C-CAP,S 220P-50 CH	C604	87-010-312-080		C-CAP,S 15P-50 CH
C455	87-010-263-080		CAP, ELECT 100-10V	C605	87-010-317-080		C-CAP,S 39P-50 CH
C457	87-010-312-080		C-CAP,S 15P-50 CH				
C458	87-010-312-080		C-CAP,S 15P-50 CH	C607	87-010-196-080		CHIP CAPACITOR,0.1-25
C459	87-010-263-080		CAP, ELECT 100-10V	C608	87-010-196-080		CHIP CAPACITOR,0.1-25
C460	87-015-819-080		CAPACITOR,0.01	C610	87-010-555-040		CAP,E 100-10 GAS
C461	87-010-197-080		CAP, CHIP 0.01 DM	C611	87-010-196-080		CHIP CAPACITOR,0.1-25
C462	87-010-248-080		CAP, ELECT 220-10V	C612	87-A10-189-040		CAP,E 220-10
C463	87-A11-155-080		CAP,TC U 0.01-16				
C465	87-010-404-080		CAP, ELECT 4.7-50V	C613	87-010-495-040		CAP,E 2.2-50 GAS
C466	87-012-368-080		C-CAP,S 0.1-50 F	C614	87-010-196-080		CHIP CAPACITOR,0.1-25
C467	87-010-263-080		CAP, ELECT 100-10V	C615	87-010-493-040		CAP,E 0.47-50 GAS
C469	87-012-154-080		C-CAP,S 150P-50 CH	C616	87-010-494-040		CAP,E 1-50 GAS
C470	87-010-544-080		CAP, ELECT 0.1-50V	C617	87-010-178-080		CHIP CAP 1000P
C471	87-010-196-080		CHIP CAPACITOR, 0.1FZ-25Z				
C472	87-015-785-080		CHIP CAPACITOR, 0.1FZ-25Z	C618	87-010-498-040		CAP,E 10-16 GAS
C473	87-015-785-080		CHIP CAPACITOR, 0.1FZ-25Z	C620	87-015-785-080		CHIP CAPACITOR, 0.1FZ-25Z
C474	87-010-196-080		CHIP CAPACITOR, 0.1FZ-25Z	C625	87-010-196-080		CHIP CAPACITOR,0.1-25
C475	87-010-197-080		CAP, CHIP 0.01 DM	CN601	87-099-033-010		16P 6216 H
C476	87-010-236-080		CAP,E 1000-10 SME	CN602	87-099-201-010		CONN,8P 6216 H
C477	87-010-197-080		CAP, CHIP 0.01 DM				
C478	87-010-263-080		CAP, ELECT 100-10V	CNA603	8A-CD9-624-010		CONN ASSY,4P TU-FR
C479	87-010-197-080		CAP, CHIP 0.01 DM	LCD601	8Z-CH4-635-010		LCD,HLC7365 ZCH-4
C480	87-010-221-080		CAP, ELECT 470-10V	LED602	88-CD6-630-010		LED,934ID RED
C481	87-010-405-080		CAP, ELECT 10-50V	LED603	88-CD6-630-010		LED,934ID RED
C482	87-010-405-080		CAP, ELECT 10-50V	LED604	88-CD6-630-010		LED,934ID RED
C489	87-012-368-080		C-CAP,S 0.1-50 F				
C490	87-012-368-080		C-CAP,S 0.1-50 F	LED606	88-CD6-630-010		LED,934ID RED
C491	87-010-197-080		CAP, CHIP 0.01 DM	LED607	88-CD6-630-010		LED,934ID RED
C492	87-010-221-080		CAP, ELECT 470-10V	LED610	88-CD6-630-010		LED,934ID RED
C493	87-010-180-080		C-CAP,S 1500P-50 KB<81U>	LED611	88-CD6-631-010		LED,934GD GRN
C494	87-A11-155-080		CAP,TC U 0.01-16	LED612	88-CD6-630-010		LED,934ID RED
C495	87-012-368-080		C-CAP,S 0.1-50 F				
C501	87-012-368-080		C-CAP,S 0.1-50 F	S601	87-A91-704-080		SW,TACT EVQ 214 05R
C502	87-010-322-080		C-CAP,S 100P-50 CH	S603	87-A91-704-080		SW,TACT EVQ 214 05R
C503	87-010-322-080		C-CAP,S 100P-50 CH	S604	87-A91-704-080		SW,TACT EVQ 214 05R
C504	87-010-322-080		C-CAP,S 100P-50 CH	S605	87-A91-704-080		SW,TACT EVQ 214 05R
C505	87-010-322-080		C-CAP,S 100P-50 CH	S606	87-A91-704-080		SW,TACT EVQ 214 05R
				S607	87-A91-704-080		SW,TACT EVQ 214 05R
				S608	87-A91-704-080		SW,TACT EVQ 214 05R
				S613	87-A91-704-080		SW,TACT EVQ 214 05R
				S621	87-A91-704-080		SW,TACT EVQ 214 05R
				S622	87-A91-704-080		SW,TACT EVQ 214 05R
				S623	87-A91-704-080		SW,TACT EVQ 214 05R
				X601	87-030-273-010		VIB,XTAL 32.768K5PPM
				X602	87-030-376-080		VIB,CER CSA5.76MG200

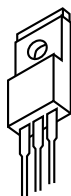
REF. NO.	PART NO.	KANRI NO.	DESCRIPTION	REF. NO.	PART NO.	KANRI NO.	DESCRIPTION
TUNER C.B				L8	87-005-849-080		COIL,10UH (CECS)
C1	87-010-314-080		C-CAP,S 22P-50V	TC1	87-011-254-080		TRIMER,20P LAR
C2	87-010-316-080		C-CAP,S 33P-50 CH	X1	87-A70-061-010		VIB,XTAL 4.500MHZ CSA-309
C3	87-010-314-080		C-CAP,S 22P-50V	H.P. C.B			
C5	87-016-669-080		C-CAP,S 0.1-25 K B	C275	87-016-280-080		CAP,E 3.3-50 M BP SME
C6	87-010-313-080		CAP, CHIP 18P	C276	87-016-280-080		CAP,E 3.3-50 M BP SME
C7	87-014-049-080		CAP,PP 470P-100 J	CN204	8A-CH4-687-010		CONN,4P V 2.5
C8	87-010-178-080		CHIP CAP 1000P	CNA203	8A-CD9-628-010		CONN ASSY,3P MA-HP
C10	87-010-197-080		CAP, CHIP 0.01 DM	CNA204	8A-CH4-633-010		CONN ASSY,4P SP
C11	87-010-197-080		CAP, CHIP 0.01 DM	J251	87-A60-569-010		JACK,HTJ-035-18
C12	87-010-197-080		CAP, CHIP 0.01 DM	KEY C.B			
C13	87-010-150-080		C-CAP,S 6P-50 CH	CN605	87-A60-109-010		CONN,2P V S2M-2W
C14	87-010-303-080		C-CAP,S 330P-50CH	S614	87-A91-704-080		SW,TACT EVQ 214 05R
C15	87-010-178-080		CHIP CAP 1000P	S615	87-A91-704-080		SW,TACT EVQ 214 05R
C16	87-010-374-080		CAP, ELECT 47-10V	BATT1 C.B			
C17	87-010-198-080		CAP, CHIP 0.022	C901	87-018-205-080		CAP, CERA-SOL 0.022
C18	87-015-835-080		C-CAP,0.047 D	C902	87-018-205-080		CAP, CERA-SOL 0.022
C19	87-010-263-080		CAP, ELECT 100-10V	C903	87-018-205-080		CAP, CERA-SOL 0.022
C20	87-010-404-080		CAP, ELECT 4.7-50V	C904	87-018-205-080		CAP, CERA-SOL 0.022
C21	87-010-197-080		CAP, CHIP 0.01 DM	CNA901	8A-CD9-627-010		CONN ASSY,3P PWR
C22	87-010-197-080		CAP, CHIP 0.01 DM	△ F901	87-035-347-010		FUSE,2.5A 250 VT<83LH>
C23	87-010-197-080		CAP, CHIP 0.01 DM	△ FC901	87-033-213-010		CLAMP,FUSE SMK<83LH>
C24	87-010-303-080		C-CAP,S 330P-50CH	△ FC902	87-033-213-010		CLAMP,FUSE SMK<83LH>
C25	87-016-460-080		C-CAP,S 0.22-16 B	△ PT901	8A-CD9-606-010		PT,U 2.5W<81U>
C27	87-A11-067-080		C-CAP,S 1-10 K B	△ PT901	8A-CH4-668-010		PT,H<83LH>
C28	87-016-669-080		C-CAP,S 0.1-25 K B	△ SW901	87-A91-369-010		SW,AC SL 2 2 2 SDKGA41700<83LH>
C29	87-016-669-080		C-CAP,S 0.1-25 K B	BATT2 C.B			
C30	87-010-198-080		CAP, CHIP 0.022	SP C.B			
C31	87-010-198-080		CAP, CHIP 0.022				
C33	87-012-358-080		C-CAP,S 0.47-10 F Z				
C34	87-012-358-080		C-CAP,S 0.47-10 F Z				
C35	87-015-819-080		CAPACITOR,0.01				
C36	87-010-263-080		CAP, ELECT 100-10V				
C37	87-010-197-080		CAP, CHIP 0.01 DM				
C38	87-010-263-080		CAP, ELECT 100-10V<81U>				
C38	87-010-374-080		CAP, ELECT 47-10V<83LH>				
C39	87-010-404-080		CAP, ELECT 4.7-50V				
C40	87-010-197-080		CAP, CHIP 0.01 DM				
C41	87-010-178-080		CHIP CAP 1000P				
C42	87-010-178-080		CHIP CAP 1000P				
C43	87-010-178-080		CHIP CAP 1000P				
C44	87-010-311-080		CAP 12P				
C45	87-010-312-080		C-CAP,S 15P-50 CH				
C46	87-010-197-080		CAP, CHIP 0.01 DM				
C47	87-010-197-080		CAP, CHIP 0.01 DM				
C48	87-010-197-080		CAP, CHIP 0.01 DM				
C49	87-012-140-080		CAP 470P				
C50	87-010-197-080		CAP, CHIP 0.01 DM				
C71	87-010-197-080		CAP, CHIP 0.01 DM				
C72	87-010-263-080		CAP, ELECT 100-10V				
C73	87-010-197-080		CAP, CHIP 0.01 DM				
C75	87-010-197-080		CAP, CHIP 0.01 DM				
C76	87-010-197-080		CAP, CHIP 0.01 DM<81U>				
C91	87-012-140-080		CAP 470P				
C92	87-010-197-080		CAP, CHIP 0.01 DM				
C93	87-010-197-080		CAP, CHIP 0.01 DM				
CF1	87-A91-094-010		FLTR,CDA10.7 MG80A				
CF2	87-008-261-010		FILTER, SFE10.7MA5-A				
CF3	87-008-261-010		FILTER, SFE10.7MA5-A				
CN2	87-099-854-010		CONN,6P S2M-6W				
CN3	87-A60-110-010		CONN,4P V S2M-4W				
D3	87-A40-616-070		VARI-CAP,SVC384 (S/T)				
D4	87-A40-128-080		C-VARI-CAP,HVU202A				
D5	87-A40-128-080		C-VARI-CAP,HVU202A				
L2	87-A50-560-010		COIL,FM BPF (ACD)				
L3	8A-CH4-670-010		BAR-ANT,MW 2B-ACH (COI)				
L4	87-A50-420-010		COIL,MW OSC (SYN)				
L5	87-A50-566-010		COIL,FM RF EX (ACH)				
L6	87-A50-567-010		COIL,FM OSC (ACH)				
L7	87-A91-308-010		FLTR,PCFAZH- 450T (TOK)				

TRANSISTOR ILLUSTRATION



E C B

2SA933S
2SA933RS
2SC1740S
2SC1740SR
DTC114TS
DTC124XS



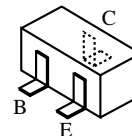
B C E

2SB1370E



E C B

2SA1296
2SC1815



2SA1162Y
2SC2712GR
2SC2714
DTC114TK
DTC114YK
DTC144EK



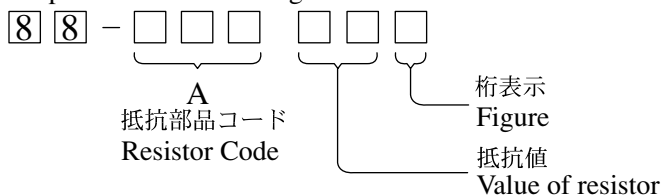
E C B

2SA1318TU

○チップ抵抗部品コード/CHIP RESISTOR PART CODE

チップ抵抗部品コードの成り立ち

Chip Resistor Part Coding



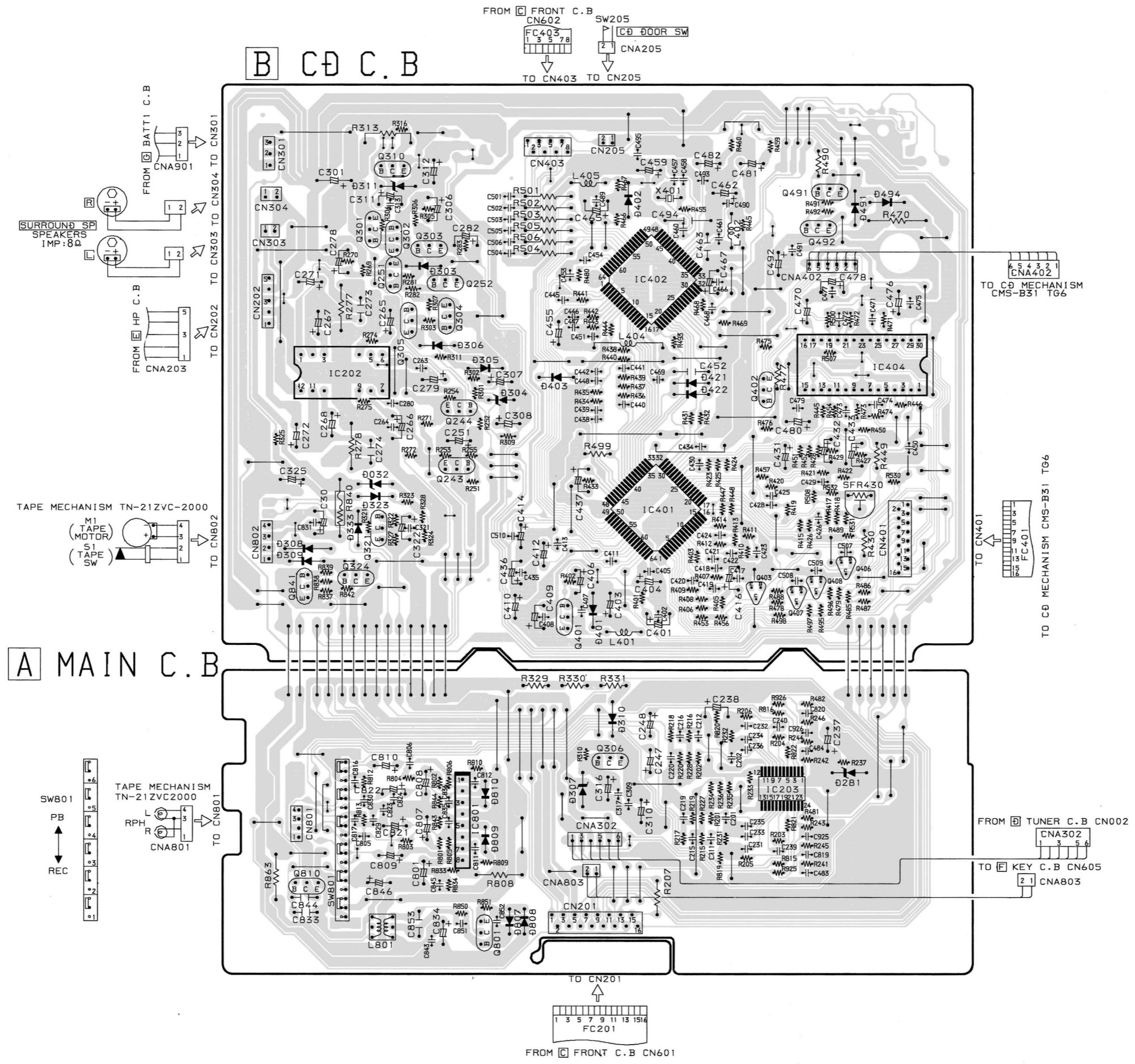
チップ抵抗 Chip resistor

容量 Wattage	種類 Type	許容誤差 Tolerance	記号 Symbol	寸法/Dimensions (mm)			抵抗コード : A Resistor Code : A	
				外形/Form	L	W		t
1/16W	1005	± 5%	CJ		1.0	0.5	0.35	104
1/16W	1608	± 5%	CJ		1.6	0.8	0.45	108
1/10W	2125	± 5%	CJ		2	1.25	0.45	118
1/8W	3216	± 5%	CJ		3.2	1.6	0.55	128

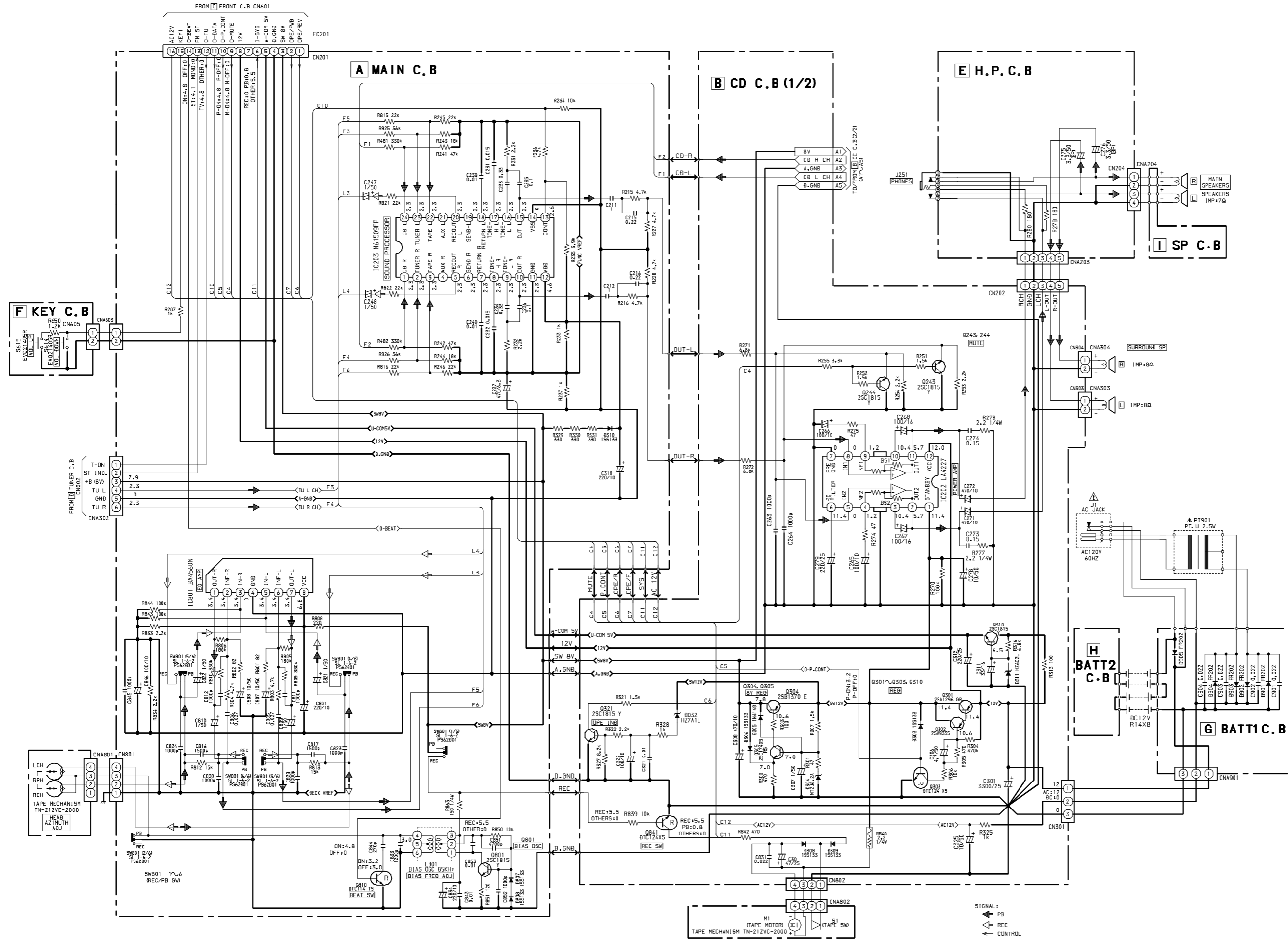
WIRING - 1 (MAIN / CD) <U>

32 31 30 29 28 27 26 25 24 23 22 21 20 19 18 17 16 15 14 13 12 11 10 9 8 7 6 5 4 3 2 1

A
B
C
D
E
F
G
H
I
J
K
L
M
N
O
P
Q
R
S
T
U

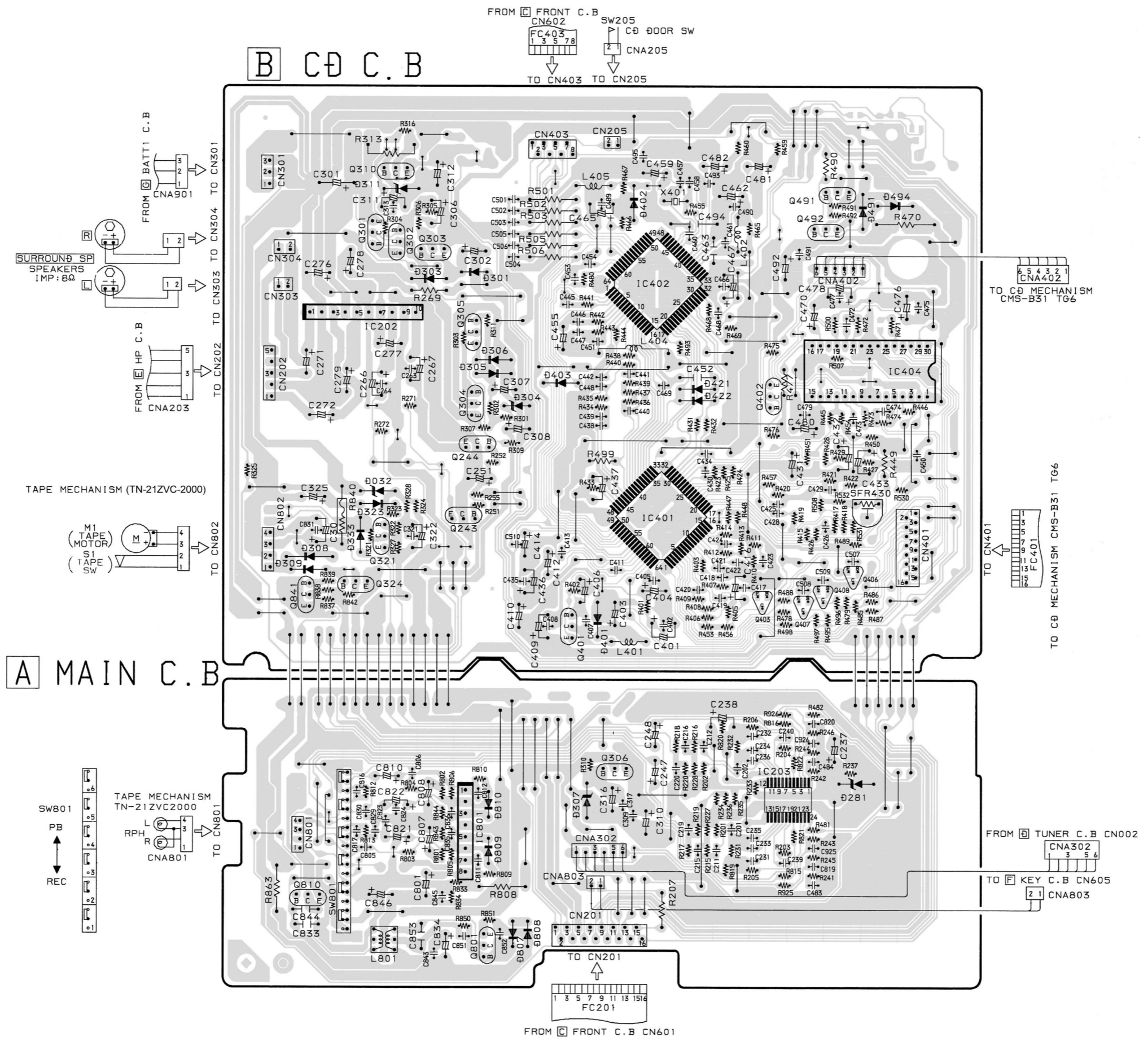


SCHEMATIC DIAGRAM - 1 (MAIN/CD:1/2/H.P./KEY/BATT1/BATT2/SP) <U>

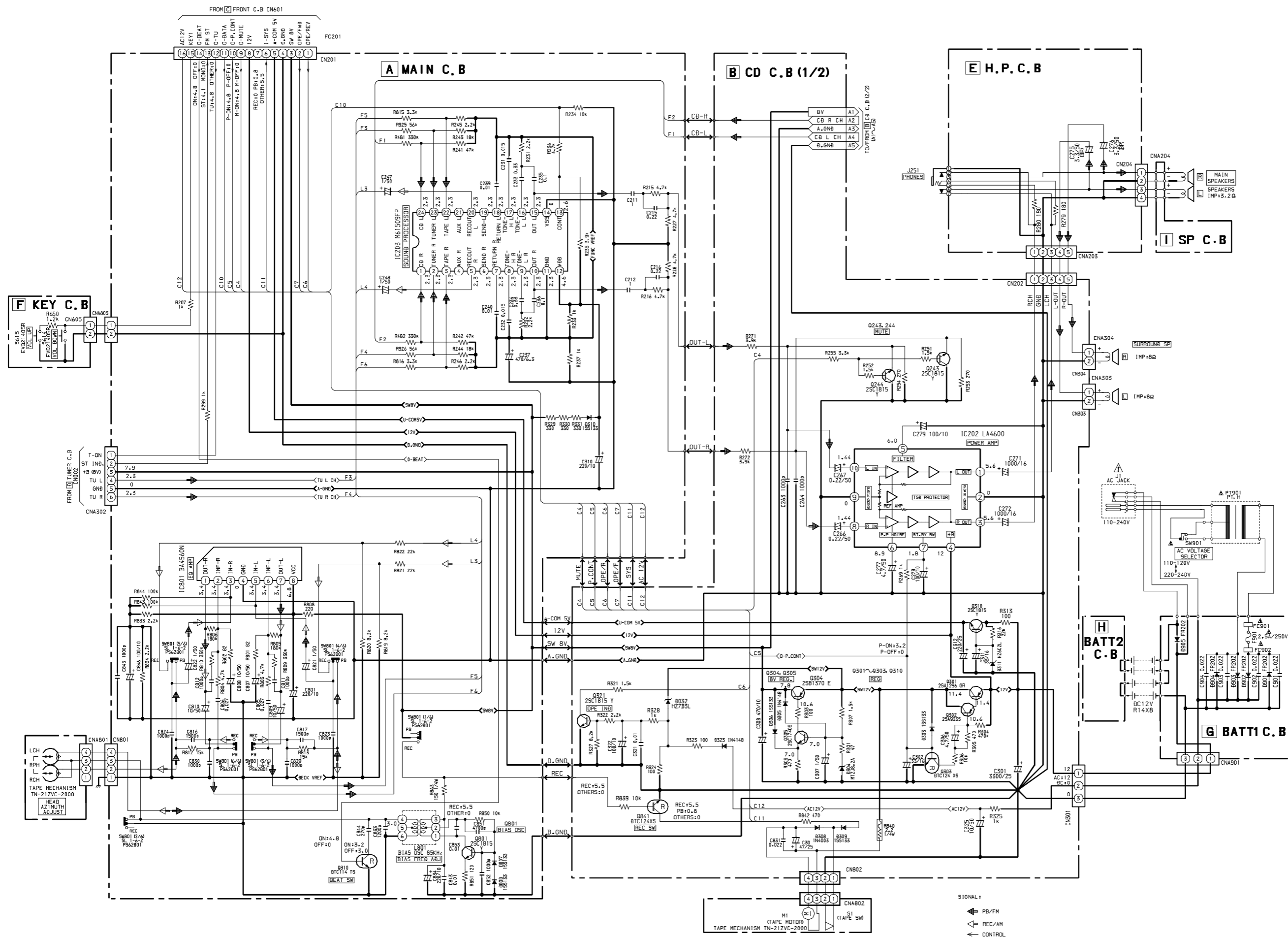


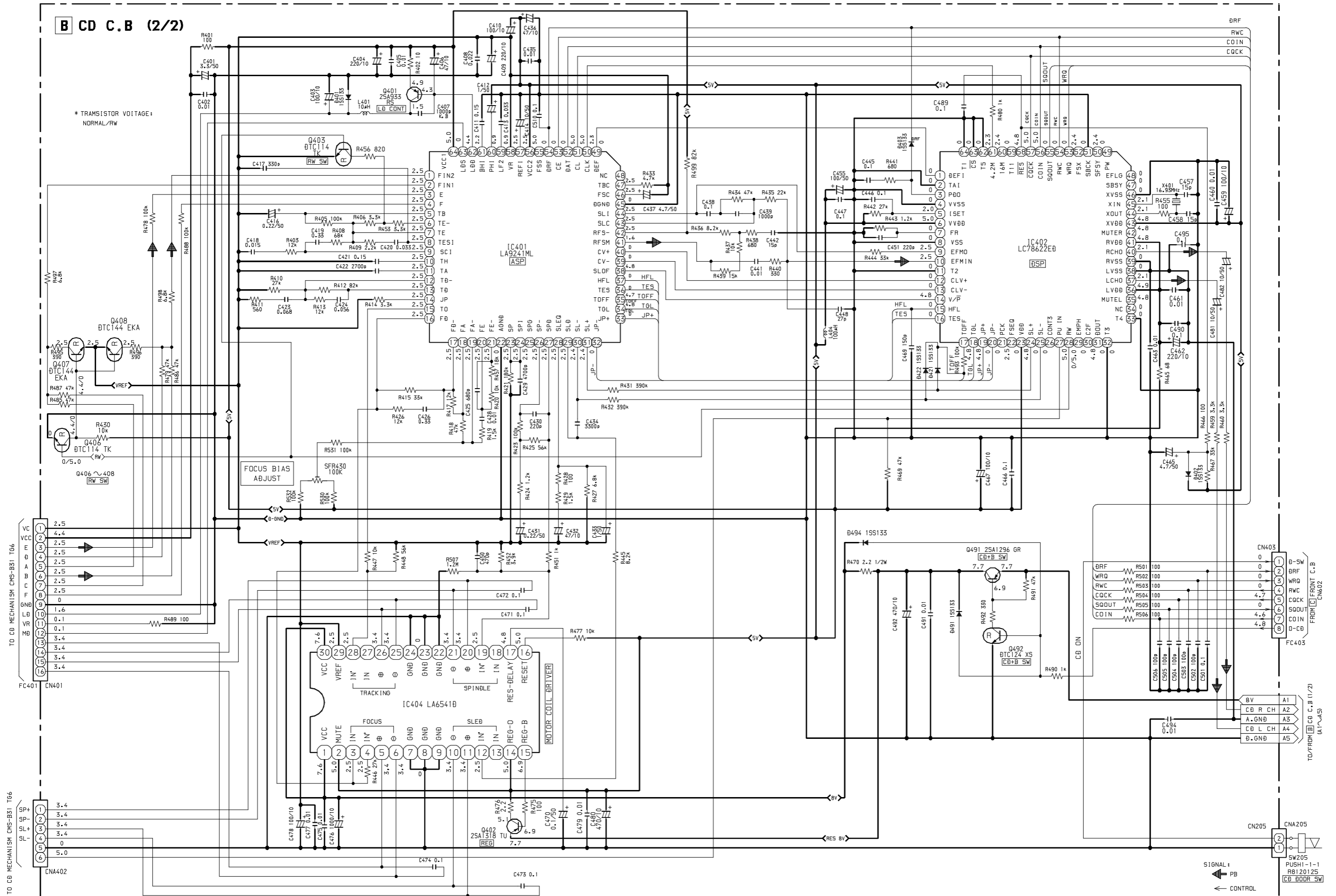
32	31	30	29	28	27	26	25	24	23	22	21	20	19	18	17	16	15	14	13	12	11	10	9	8	7	6	5	4	3	2	1
----	----	----	----	----	----	----	----	----	----	----	----	----	----	----	----	----	----	----	----	----	----	----	---	---	---	---	---	---	---	---	---

A
B
C
D
E
F
G
H
I
J
K
L
M
N
O
P
Q
R
S
T
U



SCHEMATIC DIAGRAM - 3 (MAIN/CD:1/2/H.P./KEY/BATT1/BATT2/SP) <LH>



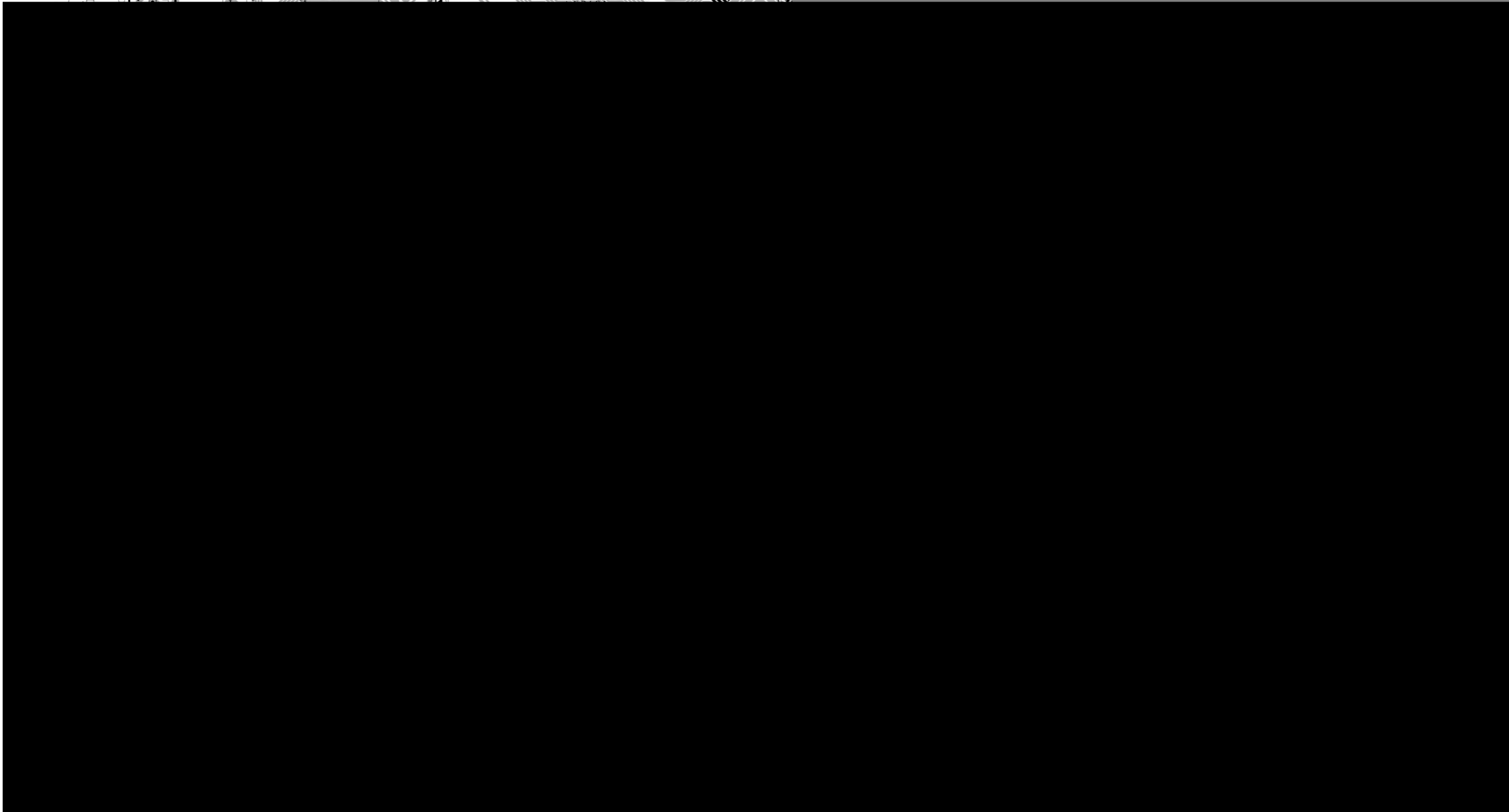
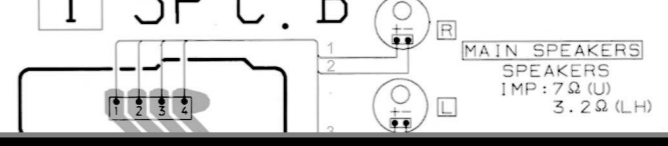
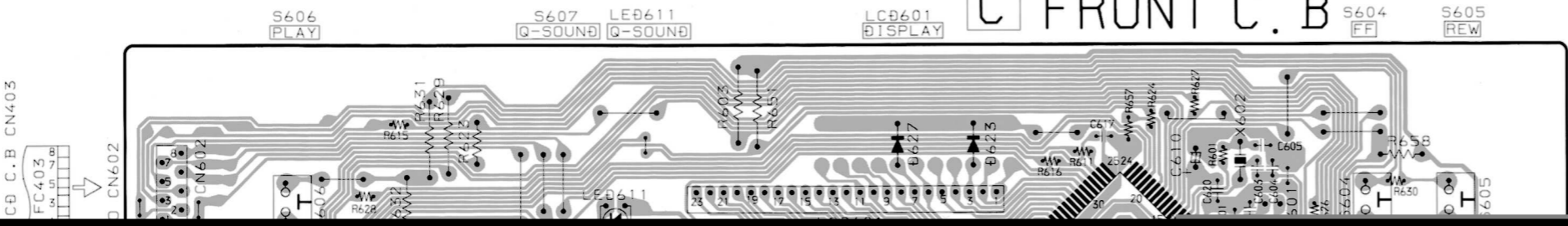


32	31	30	29	28	27	26	25	24	23	22	21	20	19	18	17	16	15	14	13	12	11	10	9	8	7	6	5	4	3	2	1
----	----	----	----	----	----	----	----	----	----	----	----	----	----	----	----	----	----	----	----	----	----	----	---	---	---	---	---	---	---	---	---

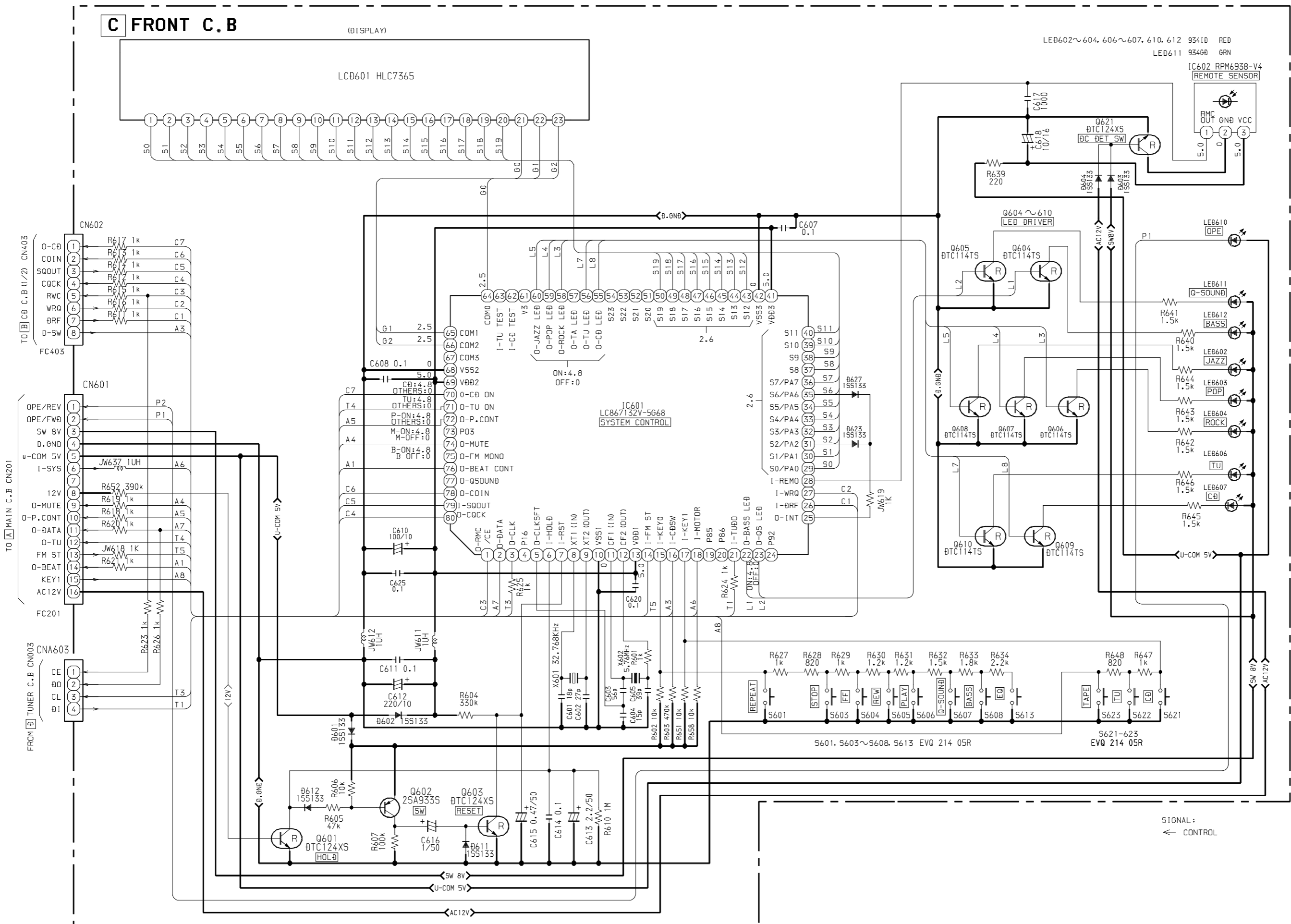
A
B
C
D
E
F
G
H
I
J
K
L
M
N
O
P
Q
R
S
T
U

C FRONT C. B

I SP C. B



SCHEMATIC DIAGRAM - 5 (FRONT)

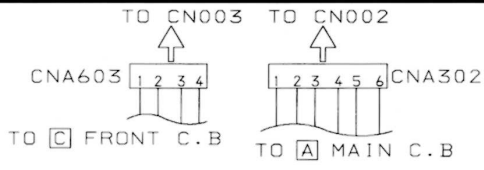
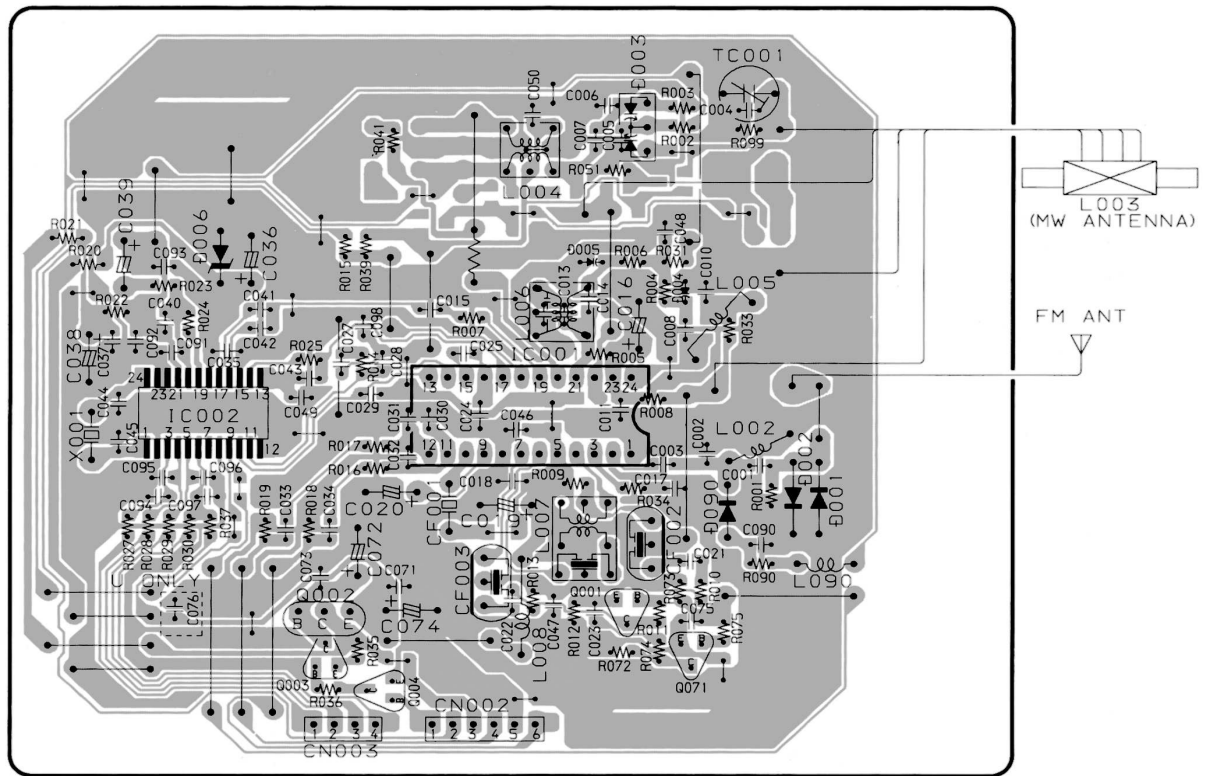


WIRING - 4 (TUNER)

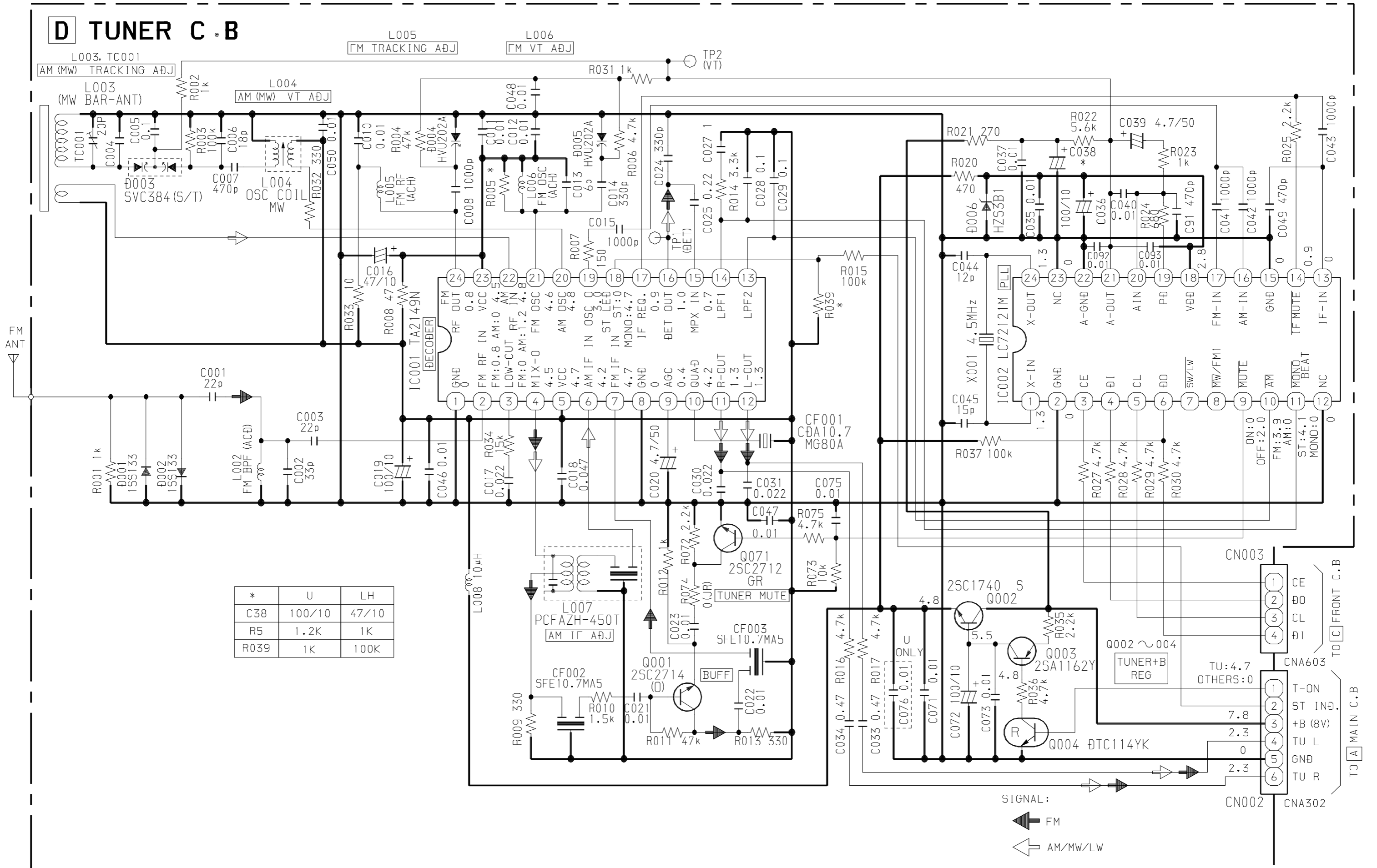
15	14	13	12	11	10	9	8	7	6	5	4	3	2	1
----	----	----	----	----	----	---	---	---	---	---	---	---	---	---

A
B
C
D
E
F
G
H
I
J
K
L
M
N
O
P
Q
R
S
T
U

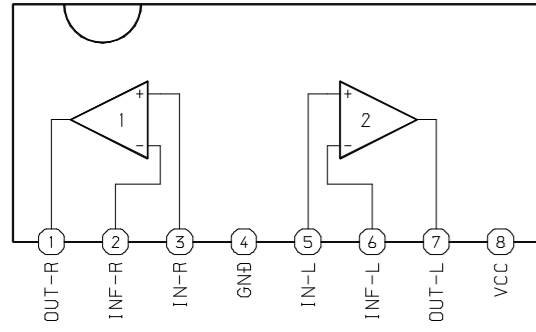
⊠ TUNER C. B



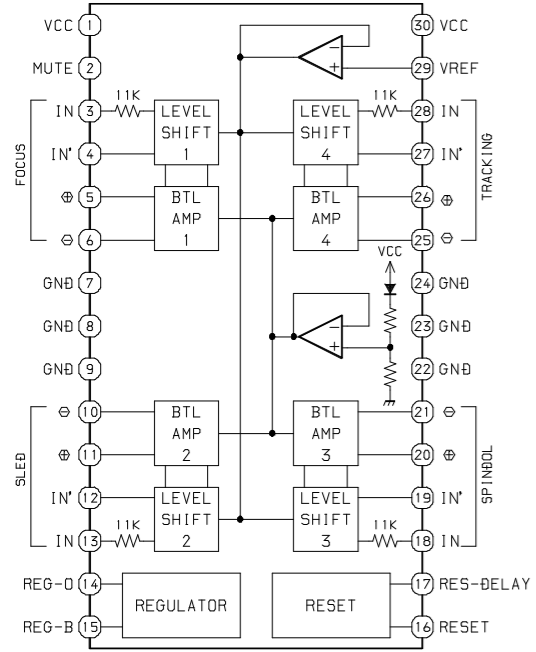
SCHEMATIC DIAGRAM - 6 (TUNER)



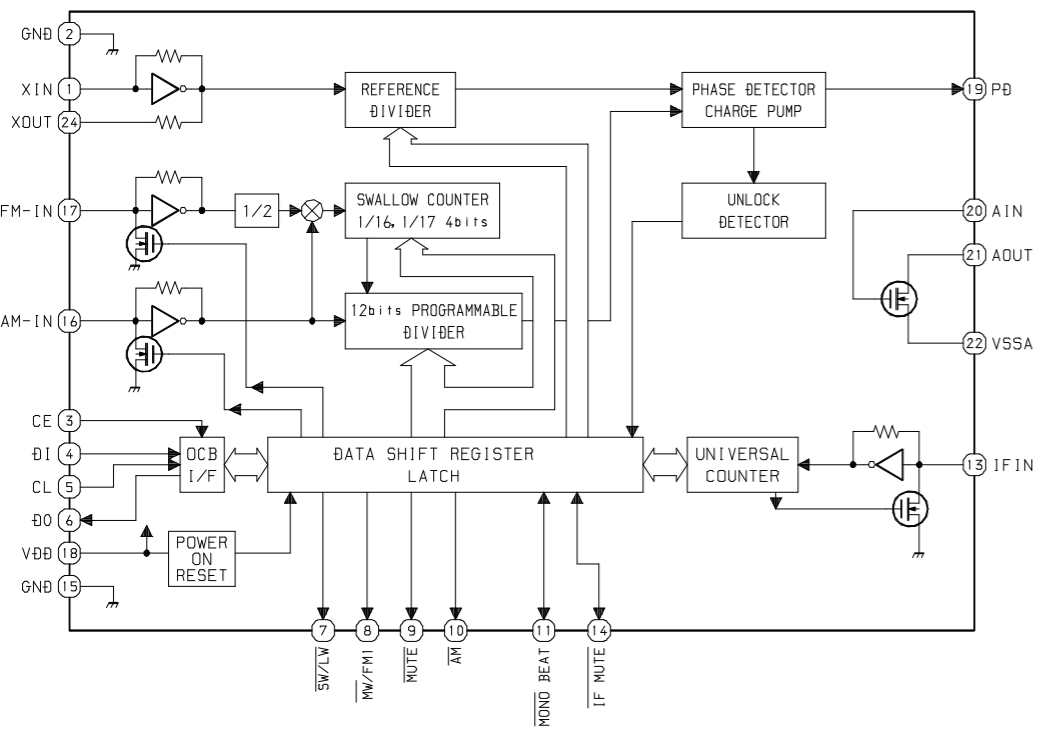
IC BLOCK DIAGRAM
IC,BA4560N



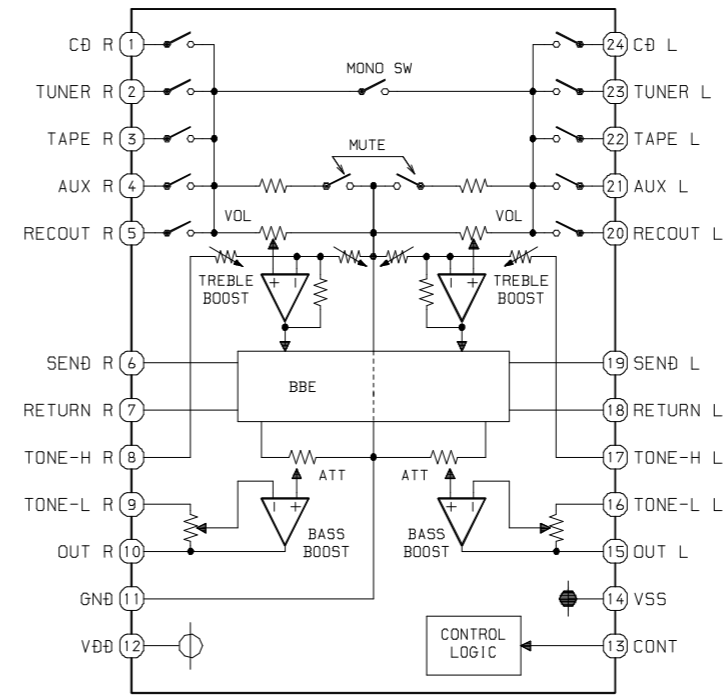
IC,LA6541D



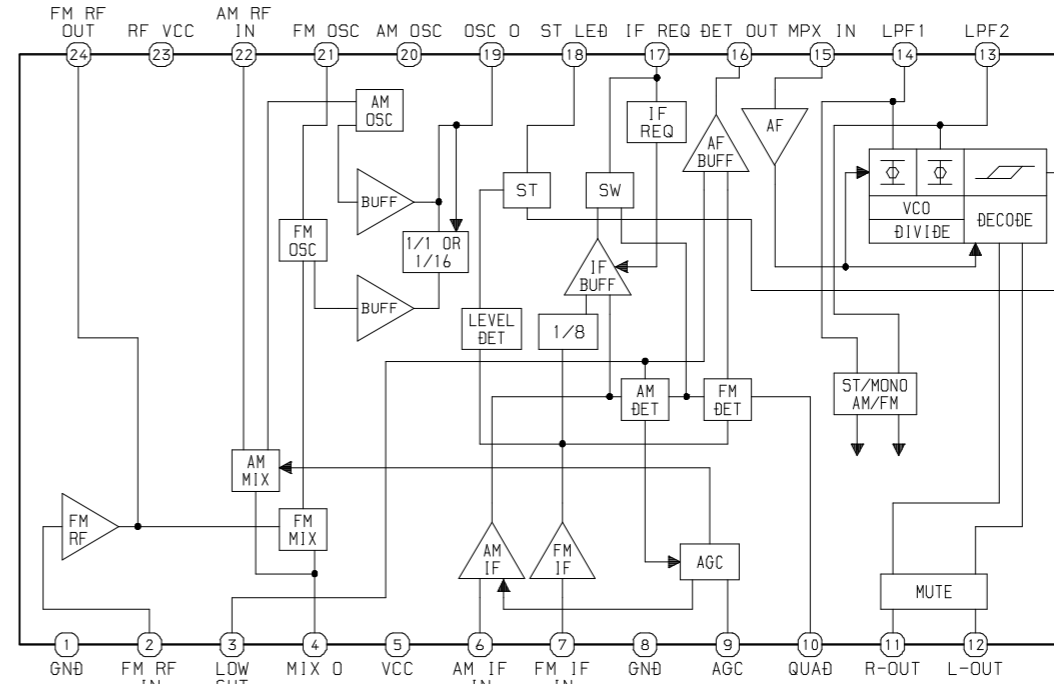
IC,LC72121M



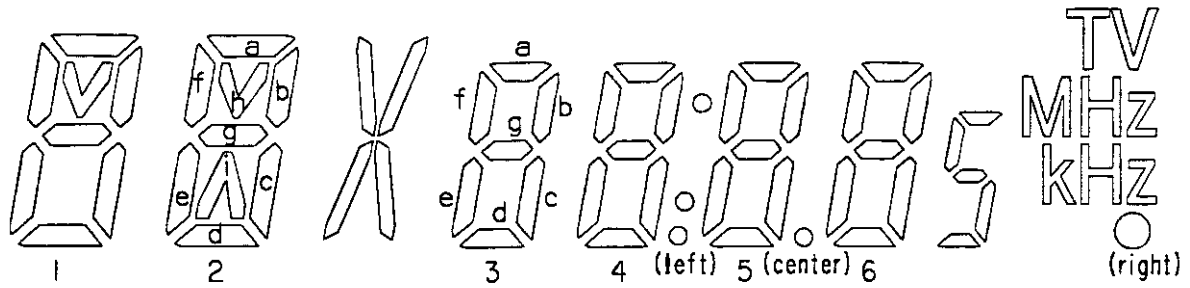
IC,M61509FP



IC,TA2149N



VOL G 1 M MONO STEREO



NO.	COM.1	COM.2	COM.3
1	2b	2c	2d
2	1b	1c	1d
3	1a	1f	1e
4	1h	1g	VOL
5	2a	2f	2e
6	2h	2g	2i
7	3f	3e	G
8	3a	3g	3d
9	3b	3c	1
10	4f	4e	M
11	4a	4g	4d
12	4b	4c	X
13	•	• (left)	MONO
14	5f	5e	• (right)
15	5a	5g	5d
16	5b	5c	• (center)
17	6f	6e	STEREO
18	6a	6g	6d
19	6b	6c	5
20	TV	MHz	KHz
21	COM.1		
22		COM.2	
23			COM.3

IC DESCRIPTION

IC, LC867132V-5G68

Pin No.	Pin Name	I/O	Description
1	O-RMC / CE	O	CD read/write control output and TU CE.
2	O-DATA	O	Data output to M61509FP.
3	O-CLK	O	Output to LC72121M CLK.
4	P16	-	Not used.
5	O-CLKSFT	O	Clock shift output of the microcomputer.
6	I-HOLD	I	Hold status detection.
7	I-RST	I	Microcomputer reset pin.
8	XT1 (IN)	I	Connected to 32.768 kHz crystal oscillator.
9	XT2 (OUT)	O	
10	VSS1	-	Connected to GND.
11	CF1 (IN)	I	Input pin for ceramic resonator oscillation.
12	CF2 (OUT)	O	Output pin for ceramic resonator oscillation.
13	VDD1	-	Power supply.
14	I-FM ST	I	FM STEREO status input.
15	I-KEY0	I	KEY AD input.
16	I-CDSW	I	CD DOOR SW status detection input.
17	I-KEY1	I	KEY AD input.
18	I-MOTOR	I	DECK MECHA MOTOR status input.
19	P85	-	Not used.
20	P86	-	Not used.
21	I-TUDO	I	Data input from LC72121M.
22	O-BASS LED	O	BASS LED ON/OFF control output.
23	O-QS LED	O	Q-Sound LED ON/OFF control output.
24	P92	-	Not used.
25	O-INT	O	INT DIODE MATRIX detection output.
26	I-DRF	I	CD RF level detection input.
27	I-WRQ	I	CD sub-code Q standby input.
28	I-REMO	I	Remote control input.
29	S0 / PA0	O	LCD segment output / Initial settings output (SW) (not used).
30	S1 / PA1	O	LCD segment output / Initial settings output (LW) (not used).
31	S2 / PA2	O	LCD segment output / Initial settings output (MW 10K).
32	S3 / PA3	O	LCD segment output / Initial settings output (FM WIDE) (not used).
33	S4 / PA4	O	LCD segment output / Initial settings output (AMST) (not used).
34	S5 / PA5	O	LCD segment output / Initial settings output (SW2) (not used).
35	S6 / PA6	O	LCD segment output / Initial settings output.
36	S7 / PA7		
37~40	S8~S11	O	LCD segment output.
41	VDD3	-	Power supply.
42	VSS3	-	Connected to GND.
43~50	S12~S19	O	LCD segment output.

Pin No.	Pin Name	I/O	Description
51~54	S20~S23	-	LCD segment output. (not used)
55	O-CD LED	O	LED ON/OFF control output for CD functions.
56	O-TU LED	O	LED ON/OFF control output for TUNER functions.
57	O-TA LED	-	LED ON / OFF control output for TAPE function (not used)
58	O-ROCK LED	O	LED ON/OFF control output for ROCK.
59	O-POP LED	O	LED ON/OFF control output for POP.
60	O-JAZZ LED	O	LED ON/OFF control output for JAZZ.
61	V3	-	Not used.
62	I-CD TEST	-	Not used.
63	I-TU TEST	-	Not used.
64~66	COM0~COM2	O	LCD common output.
67	COM3	-	LCD common output. (not used)
68	VSS2	-	Connected to GND.
69	VDD2	-	Power supply.
70	O-CD ON	O	CD PWR control output.
71	O-TU ON	O	TUNER PWR control output.
72	O-P.CONT	O	Power supply control output.
73	P03	-	Not used.
74	O-MUTE	O	Main mute output.
75	O-FM MONO	-	Not used.
76	O-BEAT CONT	O	BEAT switch over output.
77	O-QSOUND	-	Not used.
78	O-COIN	O	CD command output.
79	I-SQOUT	I	CD sub-code Q input.
80	O-CQCK	O	CLK for CD commands/sub-codes.

Pin No.	Pin Name	I/O	Description
1	DEFI	I	Defect detection signal (DEF) input.
2	TAI	I	Test input. A pull-down resistor is built in. Must be connected to 0V.
3	PDO	O	External VCO control phase comparator output.
4	VVSS	–	Internal VCO ground. Must be connected to 0V.
5	ISET	O	PDO output current adjustment resistor connection.
6	VVDD	–	Internal VCO power supply.
7	FR	I	VCO frequency range adjustment.
8	VSS	–	Digital system ground. Must be connected to 0V.
9	EFMO	O	Slice level control; EFM signal output.
10	EFMIN	I	Slice level control; EFM signal input.
11	T2	I	Test input. A pull-down resistor is built in. Must be connected to 0V.
12	CLV+	O	Disc motor control output. Three-value output is also possible when specified by microprocessor command.
13	CLV–		
14	V/P	O	Rough servo/phase control automatic switching monitor output. Outputs a high level during rough servo and a low level during phase control.
15	HFL	I	Track detection signal input. This is a Schmitt input.
16	TES	I	Tracking error signal input. This is a Schmitt input.
17	TOFF	O	Tracking off output.
18	TGL	O	Tracking gain switching output. Increase the gain when low.
19	JP+	O	Track jump output. Three-value output is also possible when specified by microprocessor command.
20	JP–		
21	PCK	O	EFM data playback clock monitor. Outputs 4.3218 MHz when the phase is locked. (Not used)
22	FSEQ	O	Synchronization signal detection output. Outputs a high level when the synchronization signal detected from the EFM signal and the internally generated synchronization signal agree. (Not used)
23	VDD	–	Digital system power supply.
24	SL+	O	Serial data command sled signal output terminal from microprocessor.
25	SL–		
26	CONT3	–	Not used.
27	PU IN	I	CD pickup inside limit switch.
28	RW	O	Serial data command sled output terminal from microprocessor.
29	EMPH	O	De-emphasis monitor pin. A high level indicates playback of a de-emphasis disk. (Not used)
30	C2F	O	C2 flag output. (Not used)
31	DOUT	O	Digital output (EIAJ format). (Not used)
32	T3	I	Test input. A pull-down resistor is built in. Must be connected to 0V.
33	T4		
34	NC	–	Unused. Must be left open.
35	MUTEL	O	Left channel one-bit D/A converter mute output. (Not used)
36	LVDD	–	Left channel one-bit D/A converter power supply.
37	LCHO	O	Left channel one-bit D/A converter output.

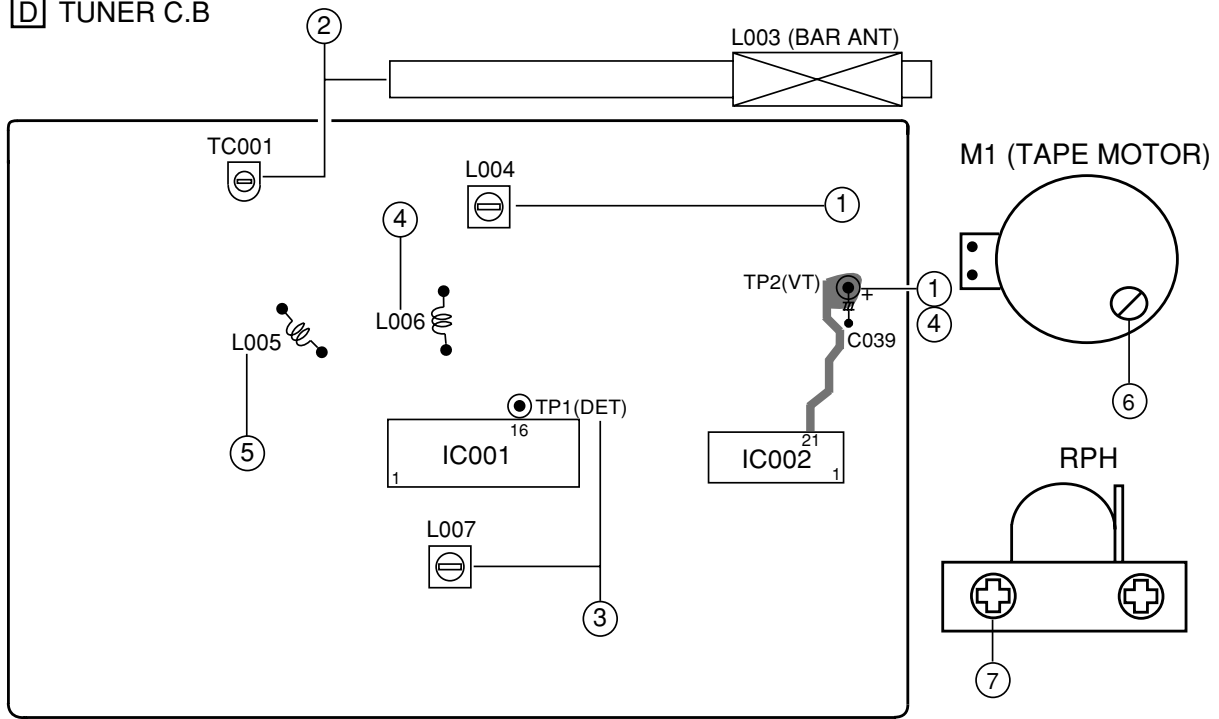
Pin No.	Pin Name	I/O	Description
38	LVSS	–	Left channel one-bit D/A converter ground. Must be connected to 0V.
39	RVSS	-	Right channel one-bit D/A converter ground. (Must be connected to 0V.)
40	RCHO	O	Right channel one-bit D/A converter output.
41	RVDD	-	Right channel one-bit D/A converter power supply.
42	MUTER	O	Right channel one-bit D/A converter mute output. (Not used)
43	XVDD	-	Crystal oscillator power supply.
44	XOUT	O	Connections for a 16.9344 MHz crystal oscillator element.
45	XIN	I	
46	XVSS	-	Crystal oscillator ground. (Must be connected to 0V.)
47	SBSY	O	Subcode clock synchronization signal output. (Not used)
48	EFLG	O	C1, C2, single and double error correction monitor. (Not used)
49	PW	O	Subcode P, Q, R, S, T, U and W output. (Not used)
50	SFSY	O	Subcode frame synchronization signal output. This signal falls when the subcode are in standby state. (Not used)
51	SBCK	I	Subcode readout clock input. This is a Schmitt input.
52	FSX	O	Output pin for the 7.35 kHz synchronization signal divided from the crystal oscillator. (Not used)
53	WRQ	O	Subcode Q output standby output.
54	RWC	I	Read/write control input. This is a Schmitt input.
55	SQOUT	O	Subcode Q output.
56	COIN	I	Command input pin from control microprocessor.
57	$\overline{\text{CQCK}}$	I	Input for both the command input acquisition clock and the SQOUT pin subcode readout clock input pin. This is Schmitt input.
58	$\overline{\text{RES}}$	I	Reset input. This pin must be set low briefly after power is first applied.
59	T11	O	Test output. Leave open. (Normally output a low level). (Not used)
60	16M	O	16.9344 MHz output. (Not used)
61	4.2M	O	4.2336 MHz output.
62	T5	I	Test input. A pull-down resistor is built-in. (Must be connected to 0V.)
63	$\overline{\text{CS}}$	I	Chip select input. A pull-down resistor is built-in. (Must be connected to 0V if not controlled.)
64	T1	I	Test input. No pull-down resistor. (Must be connected to 0V.)

Pin No.	Pin Name	I/O	Description
1	FIN2	O	For the connection of the pickup photodiode. Addition to the FIN1 pin creates an RF signal and subtraction from it create an EF signal.
2	FIN1	O	For the connection of the pickup photodiode.
3	E	O	For the connection of the pickup photodiode. Subtraction from the F pin creates a TE signal.
4	F	O	For the connection of the pickup photodiode.
5	TB	I	Inputs the DC components in the TE signal.
6	TE-	O	For the connection of a resistor which sets the gain of the TE signal between this pin and the TE pin.
7	TE	O	TE signal output.
8	TESI	I	TES (track error sense) comparator input. The signal is passed through a BPF.
9	SCI	I	Shock detection input.
10	TH	I	Sets the time constant for the tracking gain.
11	TA	O	TA amp output.
12	TD-	I	Composes the tracking phase compensation constant between the TD and VR pins.
13	TD	I	Sets the tracking phase compensation.
14	JP	I	Sets the amplitude of the tracking jump signal (kick pulses).
15	TO	O	Tracking control signal output.
16	FD	O	Focusing control signal output.
17	FD-	I	Composes the focusing phase compensation constant between the FD and FA pins.
18	FA	O	Composes the focusing phase compensation constant between the FD and FA pins.
19	FA-	I	Composes the focusing phase compensation constant between the FD and FA pins.
20	FE	O	FE signal output.
21	FE-	I	For the connection of a resistor which sets the gain of the FE signal between this pin and the TE pin.
22	AGND	O	Ground of analog signals.
23	SP	O	Single-ended output of the signals input to the CV+ and CV- pins.
24	SPI	I	Spindle amp input.
25	SPG	I	For the connection of a resistor which sets the gain in the spindle 12cm mode.
26	SP-	I	For the connection of the spindle phase compensation constant with the SPD pin.
27	SPD	O	Spindle control signal output.
28	SLEQ	I	For the connection of sled phase compensation constant.
29	SLD	O	Sled control signal output.
30	SL-	I	Sled feed signal input from the microprocessor.
31	SL+		
32	JP-	I	Tracking signal input from the DSP.
33	JP+		
34	TGL	I	Tracking gain control signal input from the DSP. Low gain when TGL is "H".
35	TOFF	I	Tracking off control signal input from the DSP. Off when TOFF is "H".
36	TES	O	Outputs the TES signal to the DSP.

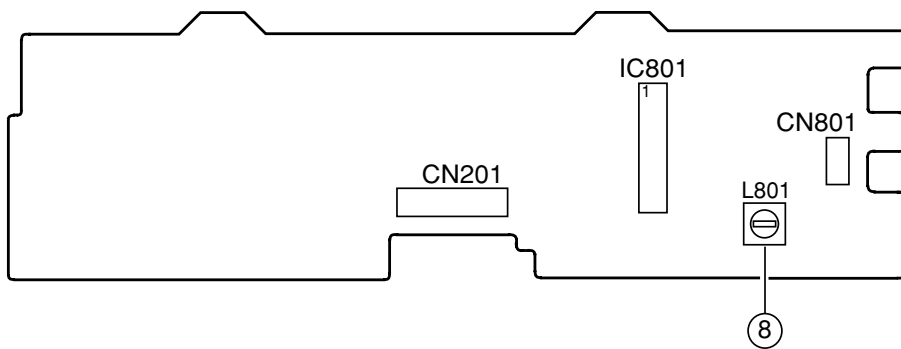
Pin No.	Pin Name	I/O	Description
37	HFL	O	The HFL (high frequency level) signal is used to judge whether the main beam is positioned on the pit or on the mirror.
38	SLOF	I	Sled servo off control input.
39	CV-	I	CLV error signal input from the DSP.
40	CV+		
41	RFSM	O	RF output.
42	RFS-	O	Sets the RF gain and the EFM signal's 3T compensation constant together with the RFSM pin.
43	SLC	O	The SLC (slice level control) signal is output to control the DSP's data slice level of the RF waveform.
44	SL1	I	Input to control the DSP's data slice level.
45	DGND	-	Ground of digital signals.
46	FSC	O	Output for the focus search smoothing capacitor.
47	TBC	I	The TBC (tracking balance control) signal sets the EF balance variation range.
48	NC	-	Not connected.
49	DEF	O	Disc defect detection output.
50	CLK	I	Reference clock input. 4.23 MHz is input from the DSP.
51	CL	I	Microprocessor command clock input.
52	DAT	I	Microprocessor command data input.
53	CE	I	Microprocessor chip enable input.
54	DRF	O	DRF (detect RF) is an output to detect the RF level.
55	FSS	I	The FSS (focus search select) signal switches the focus search modes (+/-search / +search with respect to the reference voltage). (Not connected)
56	VCC2	-	VCC of servo and digital circuits.
57	REF1	-	For the connection of bypass capacitor for the reference voltage.
58	VR	O	Reference voltage output.
59	LF2	-	Sets the time constant for disc defect detection.
60	PH1	-	For the connection of a capacitor to hold the RF signal peak.
61	BH1	-	For the connection of a capacitor to hold the RF signal bottom.
62	LDD	O	APC circuit output.
63	LDS	I	APC circuit input.
64	VCC1	-	VCC of RF signal circuits.

ADJUSTMENT <TUNER / DECK>

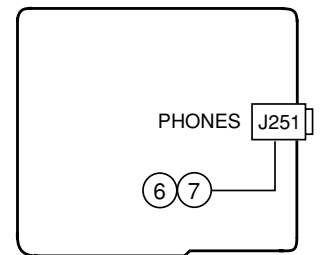
D TUNER C.B



A MAIN C.B



E H.P. C.B



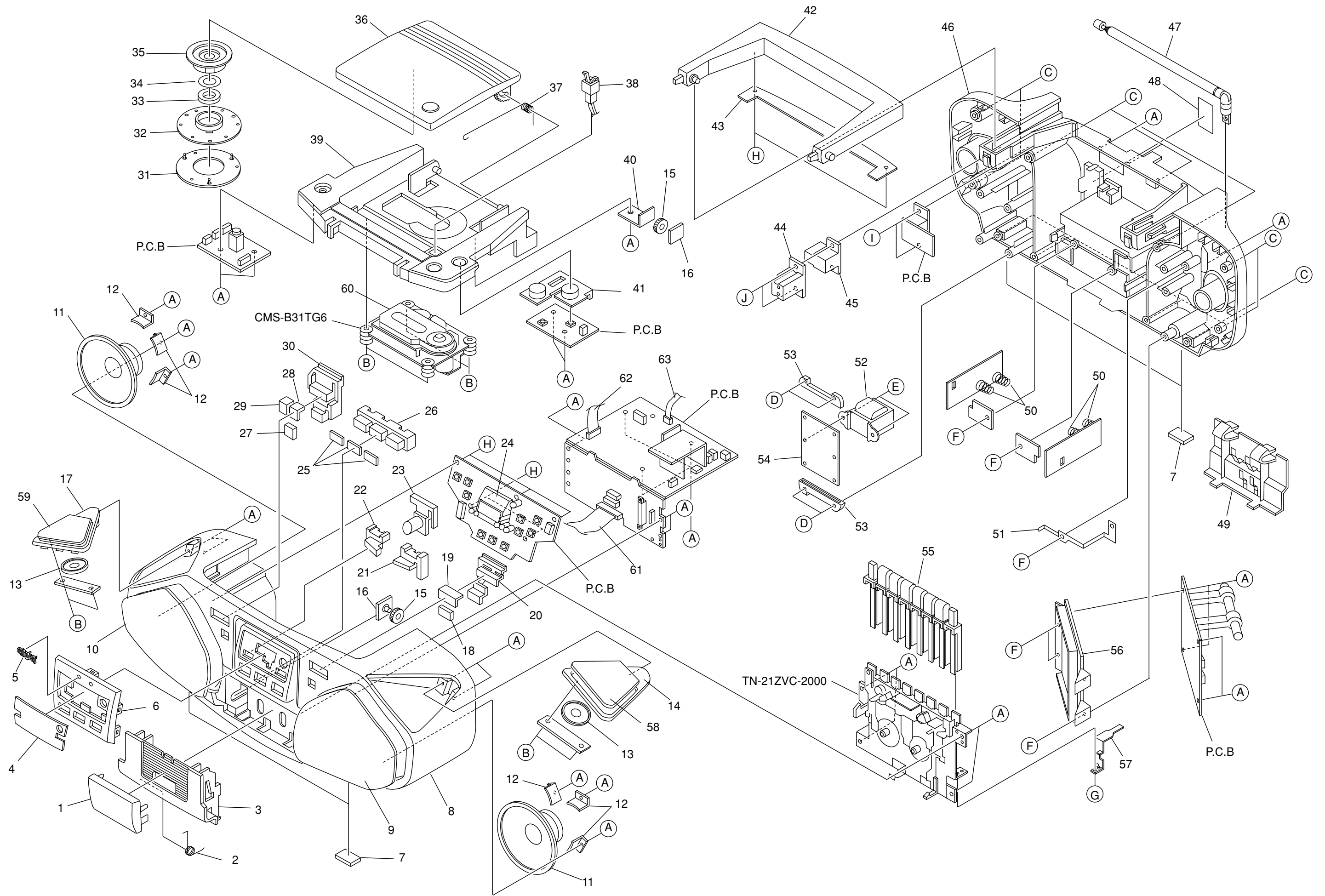
< TUNER SECTION >

1. AM (MW) VT Adjustment
 Settings : • Test point : TP2(VT)
 • Adjustment location : L004
 Method : Set to MW 1000kHz and adjust L004 so that the test point voltage becomes $3.75V \pm 0.02V$. Then set to 531kHz and check that the test point voltage is between 1.0V ~ 1.4V.
2. AM (MW) Tracking Adjustment
 L003.....600kHz
 TC001.....1400kHz
3. AM IF Adjustment
 Settings : • Test point : TP1(DET)
 • Adjustment location : L007
 Method : Adjust L007 so that the output level at 1000kHz becomes maximum.
4. FM VT Adjustment
 Settings : • Test point : TP2(VT)
 • Adjustment location : L006
 Method : Set to FM 108.0MHz and adjust L006 so that the test point voltage becomes $6.0V \pm 0.2V$

5. FM Tracking Adjustment
 L005.....98.0MHz

< DECK SECTION >

6. Tape Speed Adjustment
 Settings : • Test tape : TTA-100
 • Test point : J251 (PHONES jack)
 • Adjustment location : SFR on Tape Motor
 Method : Play back the test tape and adjust SFR so that the frequency counter reads $3000Hz \pm 30Hz$.
7. Head Azimuth Adjustment
 Settings : • Test tape : TTA-320
 • Test point : J251 (PHONES jack)
 • Adjustment location : Azimuth adjustment screw
 Method : Play back the 8kHz signal of the test tape and adjust screw so that the output becomes maximum.
8. Bias frequency Adjustment
 L801..... $85kHz \pm 0.5kHz$



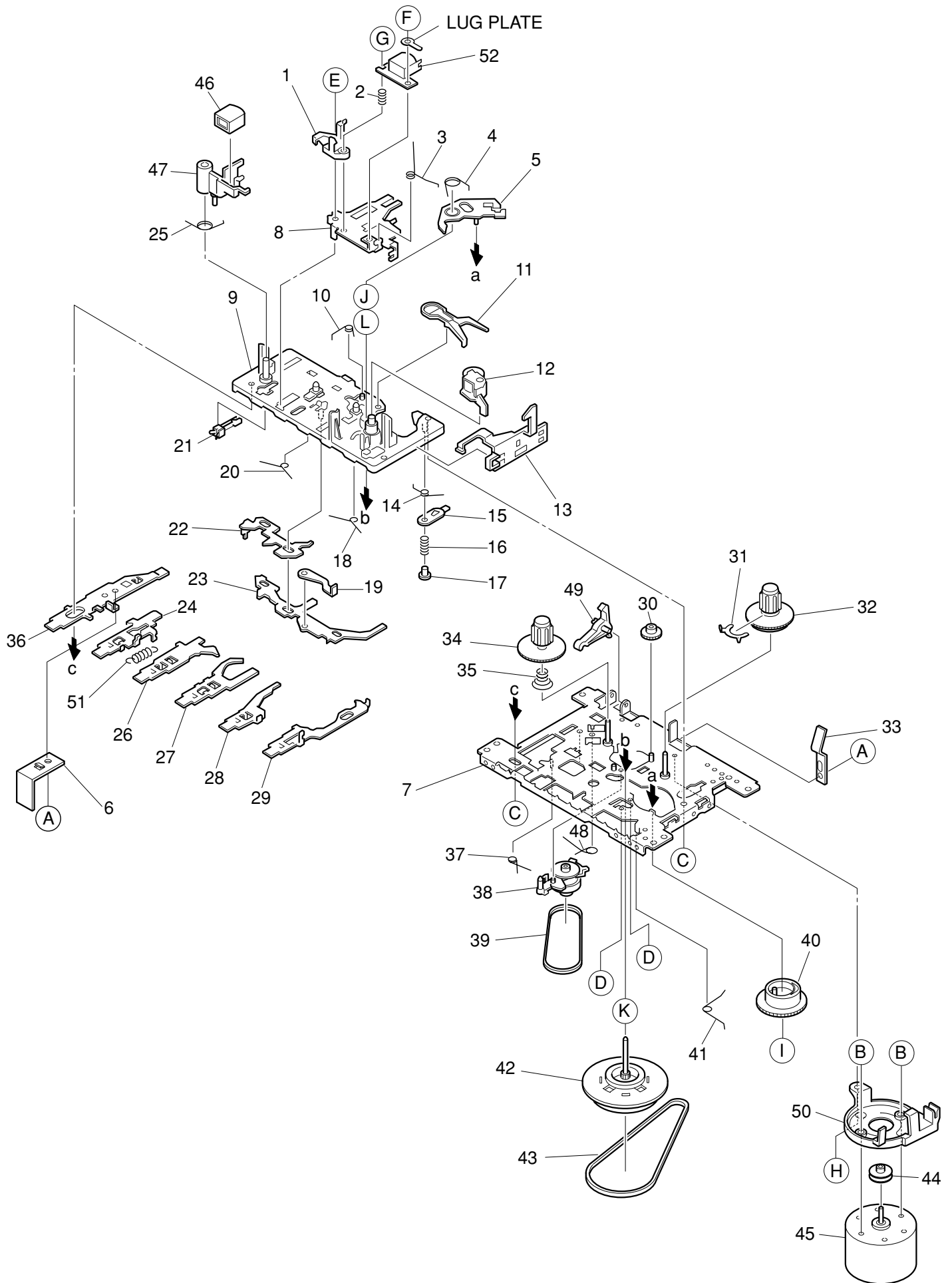
MECHANICAL PARTS LIST 1 / 1

REF. NO.	PART NO.	KANRI NO.	DESCRIPTION	REF. NO.	PART NO.	KANRI NO.	DESCRIPTION
1	8A-CHE-008-010		WINDOW, CASS E	39	8A-CHE-003-010		CHAS, CD 6K E
2	8A-CH4-205-010		SPR-T, CASS	40	8A-CH4-206-010		HLDL, OIL-DMPR
3	8A-CH4-007-010		BOX, CASS	41	8A-CHE-026-010		BTN, VOL E
4	8A-CHE-117-010		WINDOW, LCD LH E<83LHSC>	42	8A-CHE-018-010		HANDL, GRIP E
4	8A-CHE-010-010		WINDOW, LCD E<81USC>	43	8A-CHE-019-010		COVER, HANDL E
5	87-B00-010-010		BADGE, AIWA 30.5-5.2 S 2.5L	44	87-A90-086-010		COVER, AC-SOCKET
6	8A-CHE-009-010		PANEL, LCD E	△ 45	87-A60-177-010		JACK, AC U W/SW<81USC>
7	86-CT4-218-010		CUSHION, FOOT/PORON	△ 45	87-A60-178-010		JACK, AC E W/SW<83LHSC>
8	8A-CH4-001-010		CABI, FR	46	8A-CH4-002-010		CABI, REAR
9	8A-CH4-015-010		GRILLE, FR R	47	8Z-CH4-640-010		ANT, ROD
10	8A-CH4-014-010		GRILLE, FR L	48	87-CD6-041-010		PLATE, AC<81USC>
11	8A-CH4-681-010		SPKR, 10- 3.2OHM<83LHSC>	49	8A-CH4-011-010		LID, BATT
11	8A-CH4-682-010		SPKR, 10- 7OHM<81USC>	50	87-CD6-213-010		SPR-C, BATT (-)
12	8Z-CH4-204-010		HLDL, SPEAKER	51	8A-CH4-210-010		HLDL, ANT
13	8Z-CH4-645-010		SPKR, MAYLOR 8OHM SILVER	△ 52	8A-CH4-668-010		PT, H<83LHSC>
14	8A-CH4-013-010		PANEL, TW R	△ 52	8A-CD9-606-010		PT, U 2.5W<81USC>
15	84-CD5-215-010		GEAR	53	8A-CH4-211-010		COVER, HLDL PT
16	84-CD5-216-010		BRACKET	54	8A-CH4-209-010		HLDL, PT
17	8A-CH4-012-010		PANEL, TW L	55	8A-CHE-020-010		KEY, CASS 6K E
18	8A-CH4-030-010		CAP, STOP	56	8A-CH4-203-010		HLDL, TU
19	8A-CH4-029-010		CAP, PLAY	57	8A-CH4-207-010		SPR-P, REC 6K
20	8A-CH4-022-010		BTN, PLAY	58	8A-CH4-017-010		GRILLE, TW R
21	8A-CH4-027-010		BTN, BASS	59	8A-CH4-016-010		GRILLE, TW L
22	8A-CH4-024-010		BTN, EQ	60	88-CH6-019-010		PANEL, CD
23	8A-CH4-028-010		BTN, SOUND	61	8A-CD9-620-010		FF-CABLE, 16P FR-MAIN
24	8A-CH4-201-010		HLDL, LCD	62	8A-CD9-621-010		FF-CABLE, 16P CD-RF
25	8A-CH4-034-010		LENS, FUNC	63	8A-CD9-622-010		FF-CABLE, 8P CD-FR
26	8A-CH4-025-010		BTN, FUNC	A	87-741-096-410		UT2+3-10
27	8A-CH4-033-010		CAP, REPEAT	B	87-342-074-010		UT2+2.6-8
28	8A-CH4-032-010		CAP, REW	C	87-741-100-410		UT2+3-16 (W/O) SLOT
29	8A-CH4-031-010		CAP, FF	D	87-661-100-410		VFT1+3-16
30	8A-CH4-023-010		BTN, SKIP	E	87-067-566-010		TAPPING SCREW, VFTT+3-6
31	8Z-CH4-212-010		RING, CHUCK	F	87-741-095-410		UT2+3-8 GLD
32	8Z-CH4-211-010		BASE, CHUCK	G	87-571-032-410		VIT+2-3
33	87-036-368-010		MAGNET	H	87-B10-239-010		QT2+3-8 W/O CR
34	84-CD5-217-010		PLATE, MAGNET	I	87-751-075-410		VT2+2.6-10
35	85-CD7-217-010		HLDL, CHUCK A				
36	8A-CHE-121-010		BOX, CD U E				
37	8A-CH4-204-010		SPR-T, CD				
38	87-036-389-010		SW, PUSH LOCK				

COLOR NAME TABLE

Basic color symbol	Color	Basic color symbol	Color	Basic color symbol	Color
B	Black	C	Cream	D	Orange
G	Green	H	Gray	L	Blue
LT	Transparent Blue	N	Gold	P	Pink
R	Red	S	Silver	ST	Titan Silver
T	Brown	V	Violet	W	White
WT	Transparent White	Y	Yellow	YT	Transparent Yellow
LM	Metallic Blue	LL	Light Blue	GT	Transparent Green
LD	Dark Blue	DT	Transparent Orange	GM	Metallic Green
YM	Metallic Yellow	DM	Metallic Orange		

TAPE MECHANISM EXPLODED VIEW 1 / 1



TAPE MECHANISM PARTS LIST 1 / 1

REF. NO.	PART NO.	KANRI NO.	DESCRIPTION	REF. NO.	PART NO.	KANRI NO.	DESCRIPTION
1	S1-921-030-4A0		HEAD BASE	36	S1-921-140-030		REC BUTTON LEVER
2	S1-821-030-070		AZIMUTH SPRING	37	S1-921-140-170		P.S.LEVER SPRING
3	S1-921-030-090		PANEL P SPRING	38	S1-921-073-040		RF CLUTCH ASSY
4	S1-921-260-050		GEAR PLATE SPRING	39	S1-921-070-030		RF BELT
5	S1-921-265-020		GEAR PLATE ASSY	40	S1-921-260-020		CAM GEAR
6	S1-510-020-020		REC SPRING PLATE	41	S1-921-140-160		E ACTUATOR SPRING
7	S1-921-015-010		CHASSIS ASSY	42	S1-921-093-210		FLYWHEEL ASSY
8	S1-921-030-110		HEAD PANEL	43	S1-921-090-380		MAIN BELT
9	S1-921-143-160		BASE ASSY	44	S1-921-120-590		MOTOR PULLEY
10	S1-921-141-8A0		M CONTROL SPRING	45	S6-002-030-220		MOTOR EG530AD-2B
11	S1-921-260-4A0		SENSING LEVER	46	S6-209-100-100		E HEAD PH-K380-MS1
12	S1-921-043-100		PINCH ROLLER ARM ASSY	47	S1-921-030-050		MG ARM
13	S1-921-130-010		EJECT SLIDE LEVER	48	S1-921-140-210		REC BUTTON LEVER SPRING
14	S1-921-141-3A0		P CONTROL SPRING	49	S1-821-100-690		RECORD SAFETY LEVER
15	S1-921-140-550		PAUSE LEVER(E)	50	S1-821-128-9A0		MOTOR BRACKET
16	S1-921-140-120		PAUSE LEVER SPRING	51	S1-821-010-500		PLAY BUTTON LEVER SPRING
17	S1-921-140-110		PAUSE STOPPER	52	S6-201-011-110		HEAD,RP7442ES-0951
18	S1-921-140-150		BUTTON LEVER SPRING(B)	A	S9-P04-200-310		C TAPPING SCREW 2-3
19	S1-821-011-590		E KICK LEVER	B	S1-921-120-020		MOTOR COLLER SCREW
20	S1-921-141-070		BUTTON LEVER SPRING(A)	C	S9-B10-200-510		P TAPPING BIND SCREW M2-5
21	S6-401-011-490		LEAF SW MSW-1541T	D	S9-C07-204-510		SCREW,TAPPING(CAMERA)M2-4.5
22	S1-921-140-090		SWITCH ACTUATOR	E	S9-P01-200-610		SCREW,M2-6
23	S1-921-140-080		PUSH BUTTON ACTUATOR	F	S9-B01-200-310		(+)BIND SCREW M2-3
24	S1-921-140-190		PLAY BUTTON LEVER	G	S9-F08-200-710		AZIMUTH SCREW M2-7
25	S1-921-030-100		MG ARM SPRING	H	S1-921-120-030		MB SCREW
26	S1-921-140-040		REW BUTTON LEVER	I	S9-W02-300-100		P WASHER CUT 1.2-3.8-0.3
27	S1-921-140-050		FF,BUTTON REVER	J	S9-W02-500-100		P WASHER CUT 1.45-3.8-0.5
28	S1-921-140-060		STOP BUTTON LEVER	K	S9-W01-400-100		P WASHER 2-3.5-0.4
29	S1-921-140-600		PAUSE BUTTON LEVER	L	S9-W01-130-200		P WASHER 2.1-4-0.13
30	S1-821-100-700		FF GEAR				
31	S1-921-050-060		SENER				
32	S1-921-053-100		TAKE UP REEL ASSY				
33	S1-829-100-010		PACK SPRING				
34	S1-921-050-150		S REEL HUB				
35	S1-921-050-220		BACK TENSION SPRING				

アイワ株式会社 〒110-8710 東京都台東区池之端1-2-11 ☎03(3827)3111 (代表)
AIWA CO.,LTD. 2-11, IKENOHATA 1-CHOME, TAITO-KU, TOKYO 110, JAPAN TEL:03 (3827) 3111