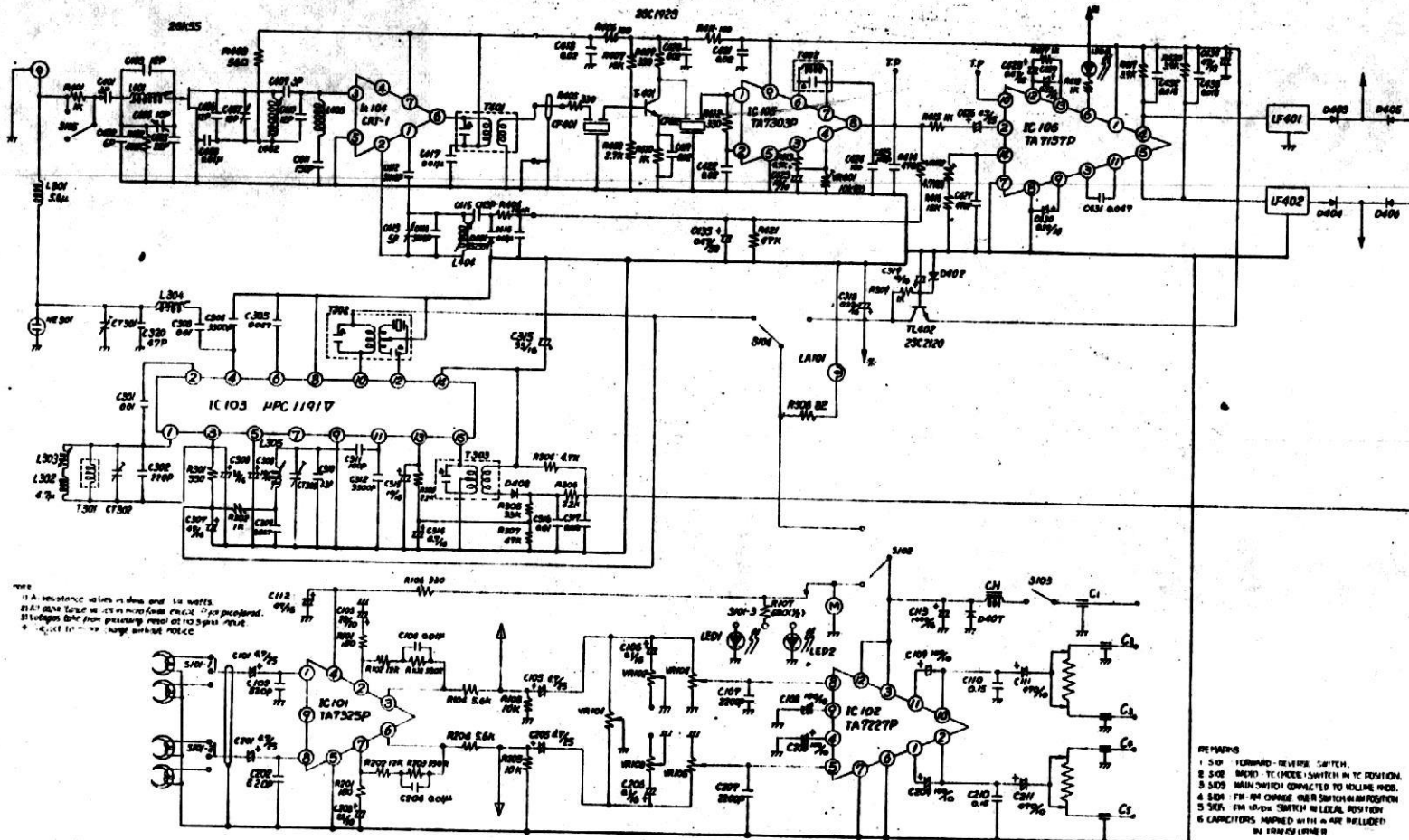


RC - 5110 F

SCHEMATIC DIAGRAM



1. A resistive alarm alarm and 10 watts.
 2. A103 1000 ohm 1% resistor pack 1% resistor.
 3. 100 ohm 1% resistor pack 1% resistor.
 4. 100 ohm 1% resistor pack 1% resistor.
 5. 100 ohm 1% resistor pack 1% resistor.

- REMARKS
1. S-101 FORWARD-REVERSE SWITCH.
 2. S-102 (M-102) TC (M-102) SWITCH IN TC POSITION.
 3. S-103 (M-103) SWITCH CONNECTED TO VOLUME PROB.
 4. S-104 (M-104) SWITCH IN MIDDLE POSITION.
 5. S-105 (M-105) SWITCH IN MIDDLE POSITION.
 6. CAPACITORS MARKED WITH A ARE BELLEFON.

PRINTED IN JAPAN

MRC504F

NAHML
 TA7227
 - PREVIOUS PAGE 5 TL.