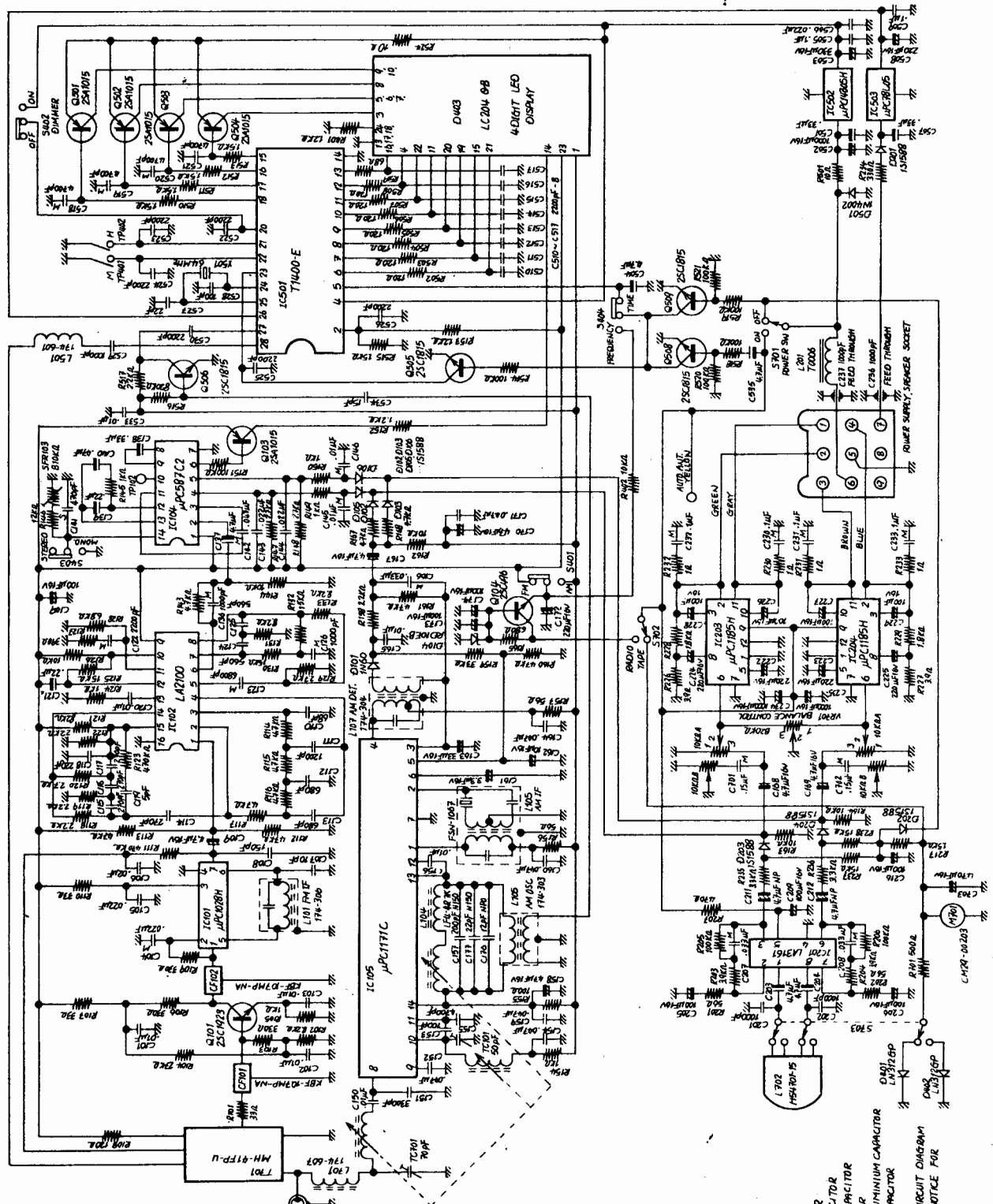


UPC58702
FM MPX I.C.
P.S. - 2.44.

without ARI



Sub = TA7157
4147157
UPC1026
SN 76115N
LM1310
ECE 1226

CK300

NOTE
 ● INDICATIONS OF CAPACITOR
 CERAMIC CAPACITOR
 POLYESTER-IE CAPACITOR
 MYLAR CAPACITOR
 TANTALUM OR ALUMINUM CAPACITOR
 ELECTROLYTIC CAPACITOR
 ● ALL RESISTOR ARE 1/8 WATT
 ● SUBJECT TO CHANGE THE CIRCUIT DIAGRAM AND COMPONENTS WITHOUT NOTICE FOR IMPROVEMENTS