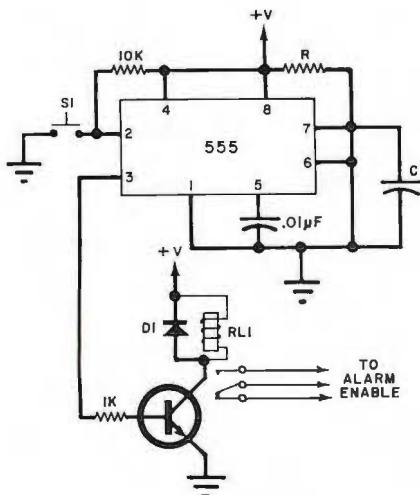


ALARM EXIT DELAY

Q. I want to add an exit delay (about 30 seconds) to my 6-volt alarm system. Any ideas?

—Scott Goldman, Great Neck, NY

A. We've received a number of similar requests, some of which sought a circuit to turn off an alarm siren, say, five minutes after it was enabled. The circuit shown can perform either function. As an exit delay, push *S1* to activate. Then *T* seconds later ($T = 1.1RC$),



relay *K1* will be deenergized. Use the relay contacts to activate the alarm sensor circuit (however this is done in your alarm system). To turn off a siren, *K1*'s contacts can simply interrupt the siren power supply. To activate this circuit, pin 2 of the 555 must be momentarily brought to ground — through an inverted one-shot, or similar means. Use a momentary pushbutton for *S1*, a general-purpose diode for *D1*, and a low-voltage (6-18 V, depending on supply) dc relay for *K1*. Be sure to select a switching transistor (*Q1*) which can handle the relay coil's current.