

NOT QUITE TRUE RMS

It has come to our attention that there are a couple of errors in the schematic diagram (Fig. 2) for the article "True RMS Converter for your DMM," that appeared in the December 1988 issue of **Radio-Electronics**. Neither pin 4 of IC1 nor the anode of D2 should be connected to ground, as the schematic indicates. Instead, as shown here in Fig. 1, pin 4 of IC1 should be connected directly to the anode of D2, and the connection from J4 to pin 4 should be removed.—*Editor*

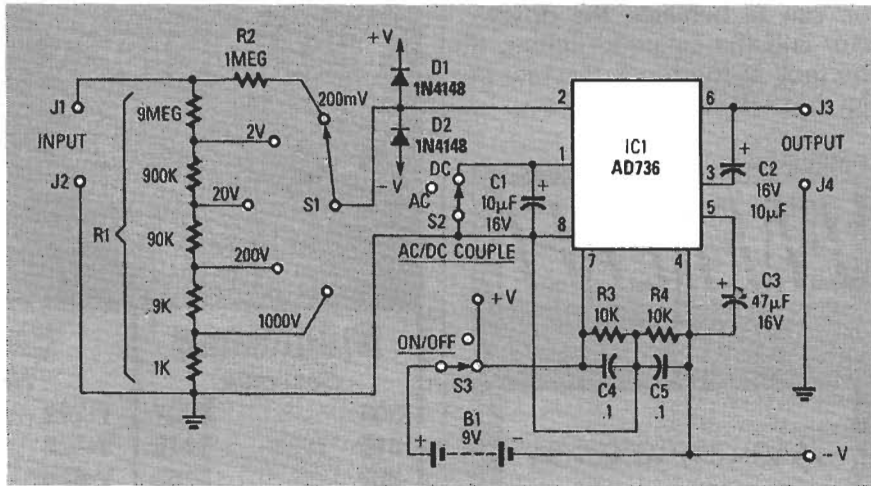


FIG. 1