



LETTERS

SEND YOUR COMMENTS TO THE EDITORS OF ELECTRONICS NOW MAGAZINE

Brainwave Correction

It has come to our attention that there was an error in the schematic diagram for the "Learn to Relax with a Brainwave Synchronizer" that appeared in the April 1999 issue. In Fig. 2, on page 30, a connection is shown between R1/R2/C1 and R3/R4/C2. There should not be any connection between the two nodes; C1 and R3 should not be connected together. If the unit is built according to the schematic, the oscillators will not work. The foil pattern for the PC board, on the other hand, is correct. We apologize for the error.—*Editor*

Attenuator Series

It has come to our attention that there was an error in the schematic diagram for the "Build a Step Attenuator" that was published in the April issue. Although the text was correct in saying that the various attenuator circuits are wired in *series*, the drawing in Fig. 5 showed the circuits wired in *parallel*. A corrected schematic diagram is shown here as Fig. 1. We apologize for any confusion that arose from this error.—*Editor*

SmartProbe Errors

It has come to our attention that there were two errors in the article "Test Digital Circuits with the SmartProbe" (*Electronics Now*, March 1999). In the "How It Works" section on page 45, column 3, the second sentence of the para-

graph that begins "The SmartProbe's tip is connected to one of the inputs on each comparator," the following sentence

should read "Note that two of the comparators ('a' and 'c') ..."

The second error is in the schematic diagram (Fig. 1) that appears on page 46. There should not be a connection between R2 and R3. All four comparators should have their outputs connected to the printer-port inputs the same way: a signal diode and a pull-up resistor.—*Editor*

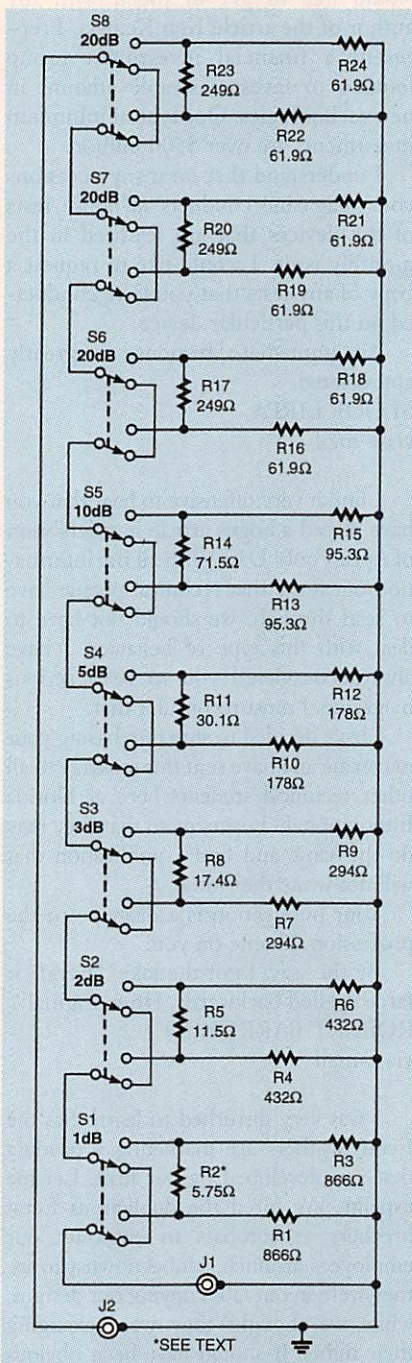


Fig. 1.

Excellent Review

Regarding the recent excellent review of The SoundSmith's new CDT-4 Automated Audio Tester "Equipment Report" (*Electronics Now*, April 1999), we would like to make the following comments:

The CDT-4 not only tests CD Players, CD ROMs, and DVDs, but also pre-amps, amplifiers, VCRs/Camcorders, DATs/Tape Decks, Tuners, or anywhere an analog signal can go. It can also be used to test complete computer systems, including hard drives, memory and sound cards for long-term integrity.

Now available as an accessory for the CDT-4 is our modified MP3 player for use as a signal source, eliminating the need to use a "known good" CD player as the source. While the suggested user price of the CDT-4 Automated Audio Tester is \$1099.95, we are pleased to continue our introductory price of \$749.95 until further notice.

We welcome customer inquiries at either our Web site: www.sound-smith.com or our toll-free number: 800-942-8009.

PETER LEDERMAN, President
The SoundSmith Corporation

April Fooled

I read the entire article "The EC909-12 Analog Microprocessor" (*Electronics Now*, April 1999) by Ken Kemski (although I stumbled over the part where it describes the amount of light output versus energy input—didn't that

Write To:
Letters,
Electronics Now Magazine,
500 Bi-County Blvd.,
Farmingdale, NY 11735

Due to the volume of mail we receive, not all letters can be answered personally. All letters are subject to editing for clarity and length.