

CORRIGENDA

ISSUE 1

Page 4. On Combo PCB overlay D6 above R67 should read D4.

Page 6. Fig. 8, Dimns. given for 'B' holes on Front View are incorrect, mount PCB in 'A' holes and drill through fixing holes for correct positions.

ISSUE 3

Page 3. Fig. 2, SK2 Pin numbers are incorrect, from left to right they should read 1, 2, 4, 6, 8, 7, 5, 3. Note the PCB is correct.

ISSUE 4

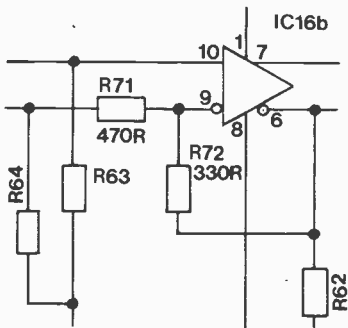
Page 5. Digi-tel Motherboard cct. There are 4 Diodes shown below R1 to 11 without cct references, their designations are D31 to 34, working from top to bottom; Pin 15 on Skts 1-4 goes to IC's 7, 8, 9 & 10 Pin 2 not 15 as shown; Veropin 48 should be connected to collector of TR2 not to IC4 Pin 10; Veropin 55 has been omitted and joins to IC19 Pin 11.

Page 41. Frequency Counter: Fig. 2, R47 value is 10M.

Page 42. Fig. 3, on IC7 Pin 10 goes to D13.

Page 43. Fig. 6, R65 value is 1k; R71 & R72

have been added thus:—



Page 44. Fig. 7, for better performance IC14 has been changed to SP8680, but please note that the circuit and PCB require no modifications, the order code (QY18U) is also unchanged. Some early kits may still contain the 11C90, however.

Page 45. Main Parts List: Add R71 to 470R (Qty 8), Add R65 to 1k (Qty 9), Delete R47 from 1M (Qty 1), Delete R65 from 47k (Qty 1), Add R47 value 10M, Add R72 value 330R; Diode 1N4148 Qty should be 24.

Page 57. ZX81 I/O Port: Fig. 1, IC1 Pin 9 goes to A10.