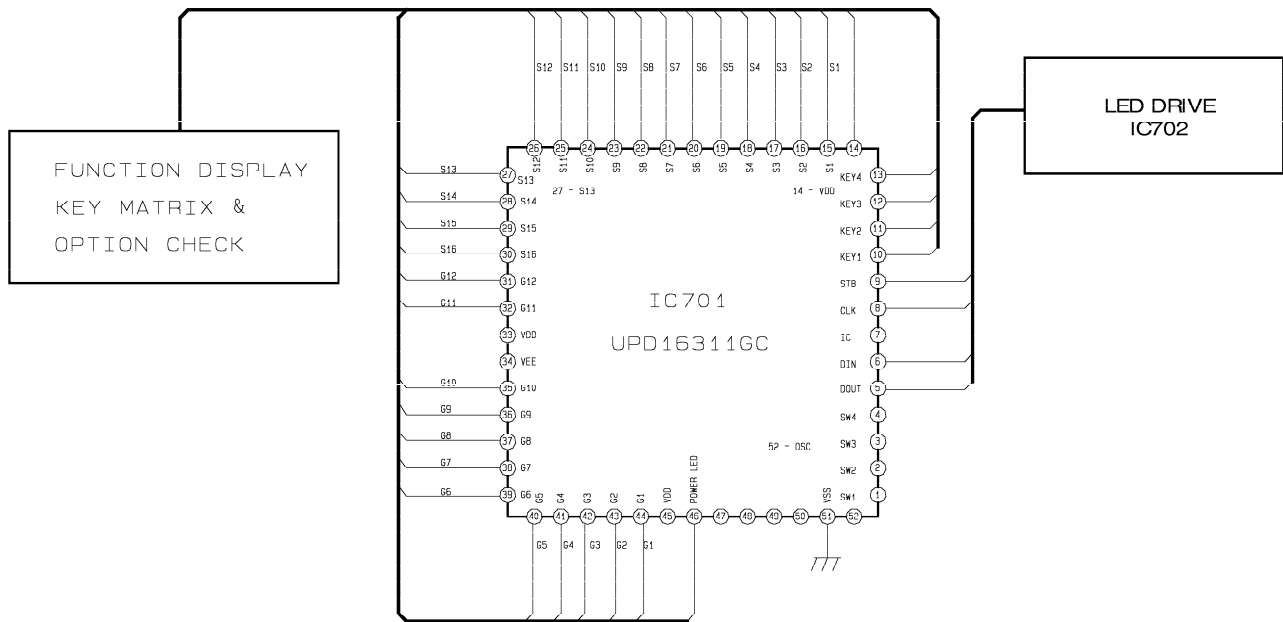


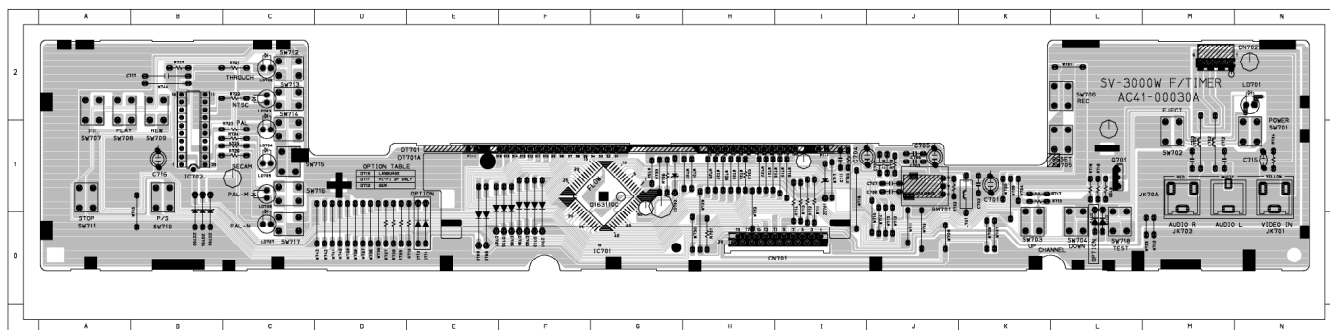
7-2 Function-Timer



43

## 8. Function-Timer PCB Diagram

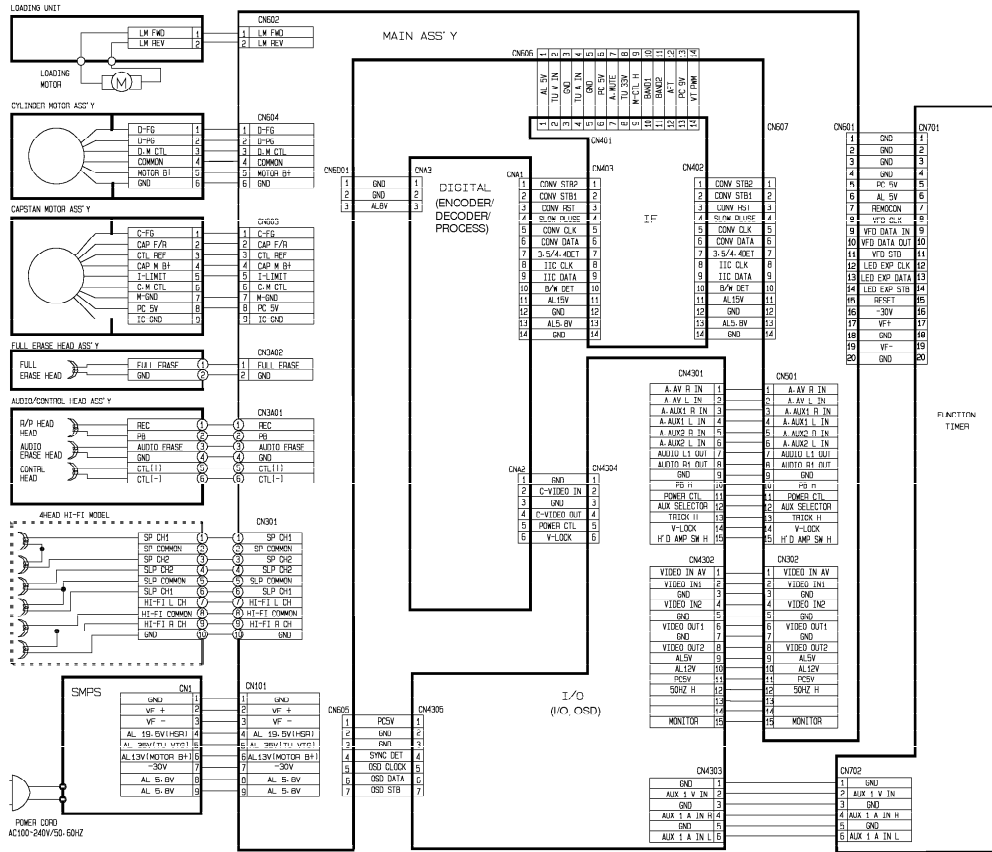
The PCB Diagram of TIMER (Page 10-7), JOINT & FUNCTION (Page 10-8) on SV-4000W Service Manual are not used for this model.  
This PCB Diagram is only used for SV-3000W.



\*\*\* RESISTOR \*\*\*    \*\*\* CONDENSER \*\*\*    \*\*\* DIODE \*\*\*    \*\*\* TO \*\*\*    \*\*\* IC/WAFER \*\*\*

R702 L211	C701 KK11	D701 1F01	Q701 1L11	IC702 1M21
R704 1N01	C702 KK11	D702 1F01		IC703 1B11
R705 1J11	C703 L211	D703 1F01		JKT01 1M11
R706 1G11	C704 L211	D704 1F01		JKT03 1M11
R707 1D01	C705 L211	D705 1F01		
R708 1D01	C706 L211	D706 1F01		
R709 1D01	C707 L211	D707 1E01		
R710 1E01	C708 L211	D708 1E01		
R711 1B11	C709 L211	D709 1E01		
R712 1J11	C710 L211	D710 1L11		
R713 1K11	C711 1L11	D711 1L11		
R714 1L11	C712 1M11	D712 1E11		
R715 1K11	C713 1M11	D713 1L11		
R716 1L11	C714 1M11	D714 1L11		
R717 1K11	C715 1M11	D715 1L11		
R718 1L11	C716 1M11	D716 1L11		
R719 1L11	C717 1M11	D717 1L11		
R720 1L11	C718 1M11	D718 1L11		
R721 1B21	C719 1B21	D719 1B11		
R722 1B21		D720 1B11		
R723 1B11		D721 1B11		
R724 1B11		D722 1B11		
R725 1B11		D723 1B11		
R726 1B11		D724 1B11		
R727 1B21		D725 1B11		

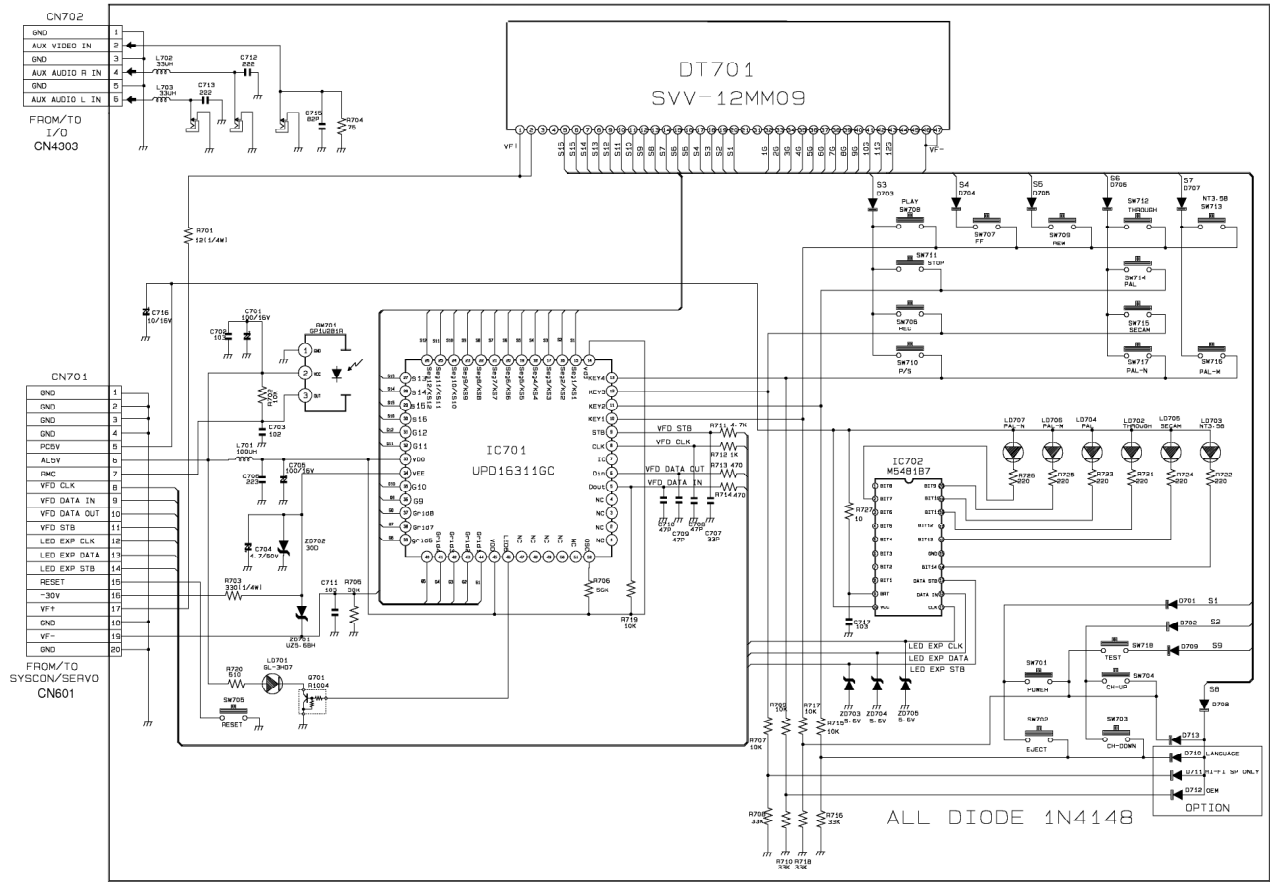
## 9. Wiring Diagram



# 45

# 10. Function-Timer Schematic Diagram

The Schematic Diagram of TIMER (Page 12-22) & JOINT/FUNCTION (Page 12-23) on SV-4000W Service Manual are not used for this model. This Schematic Diagram is only used for SV-3000W.



# 46