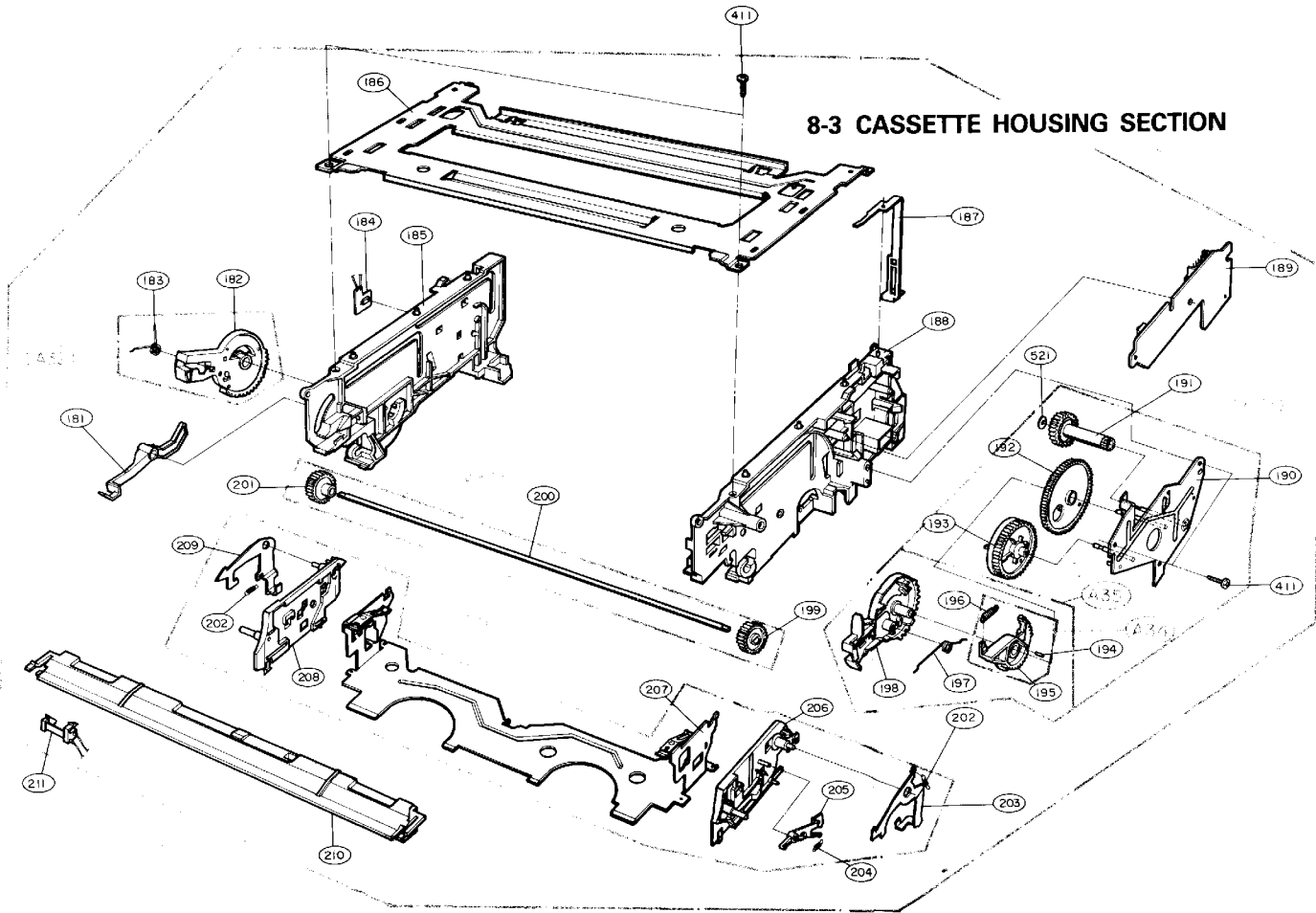


8-3 CASSETTE HOUSING SECTION



S : SERVICE PART
NSP : NOT SERVICE

Rep. No.	Part No.	Description
PARTS SECTION		
181	465-014A	OPENER, DOOR
182	435-129A	GEAR, ARM(L)
183	442-172A	SPRING, ARM GFAR(L)
184	511-393A	PCB AY, SUP D-09 HOUSING
185	321-231A	BRACKET, SIDE(L)
186	256-361A	PLATE, TOP
187	256-399A	PLATE, CROUND
188	321-230A	BRACKET, SIDE(R)
189	511-392A	PCB AY, T/JP D-09 HOUSING
190	321-233A	BRACKET SUB AY, RIGHT
191	435-136A	GEAR, WORM
192	435-130A	GEAR, IDLER
193	435-131A	GEAR, CONNECT
194	356-101A	PIN, CUSHION
195	435-135A	GEAR, CUSHION
196	442-174A	SPRING, CUSHION
197	442-173A	SPRING, ARM GEAR(R)
198	435-134A	GEAR, ARM(R)
199	435-127A	GEAR, DRIVE(R)
200	423-190A	SHAFT, DRIVE

201	435-142A	GEAR, DRIVE(L)
202	442-169A	SPRING, CASSETTE PROTECT
203	386-130A	ARM, CASSETTE PROTECT(R)
204	442-170A	SPRING, LID OPENER
205	465-013A	OPENER, LID
206	321-227A	BRACKET, HOLDER(R)
207	324-360A	HOLDER SUB AY, CASSETTE
208	321-229A	BRACKET, HOLDER(L)
209	386-131A	ARM, CST PROTECT(L)
210	384-028A	GUIDE, CST
211	566-048A	SWITCH SAFTY
SCREW, WASHER		
411	353-046B	SCREW SPECIAL (3x8F2MV)
521	354-033A	WASHER, STOPPER
ASSEMBLY SECTION		
A31	219-010B	HOUSING, F/L (D-09)
A32	435-128A	GEAR AY, ARM(L)
A33	321-232A	BRACKET AY, RIGHT
A34	435-168A	GEAR AY, CUSHION
A35	435-132A	GEAR AY, ARM(R)
A36	324-358A	HOLDER AY, CASSETTE
A37	435-126A	GFAR AY, DHIVE