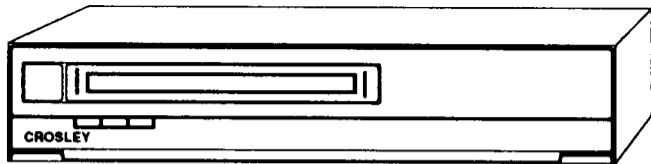


Sylvania

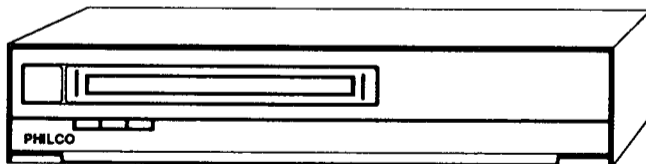
Model : VC4243AT01

Model : VC4263AT01



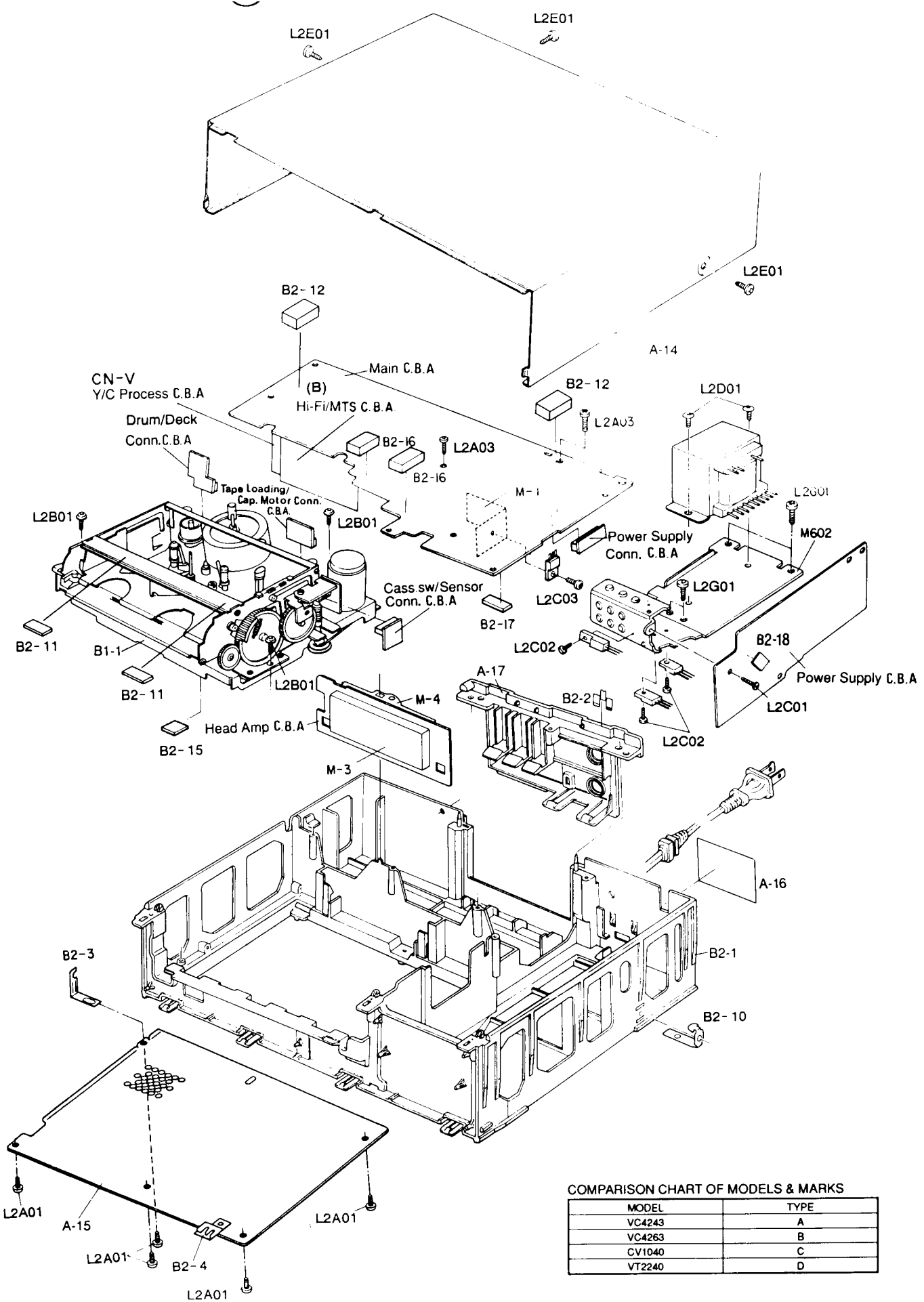
Crosley

Model : CV1040AT01



Philco

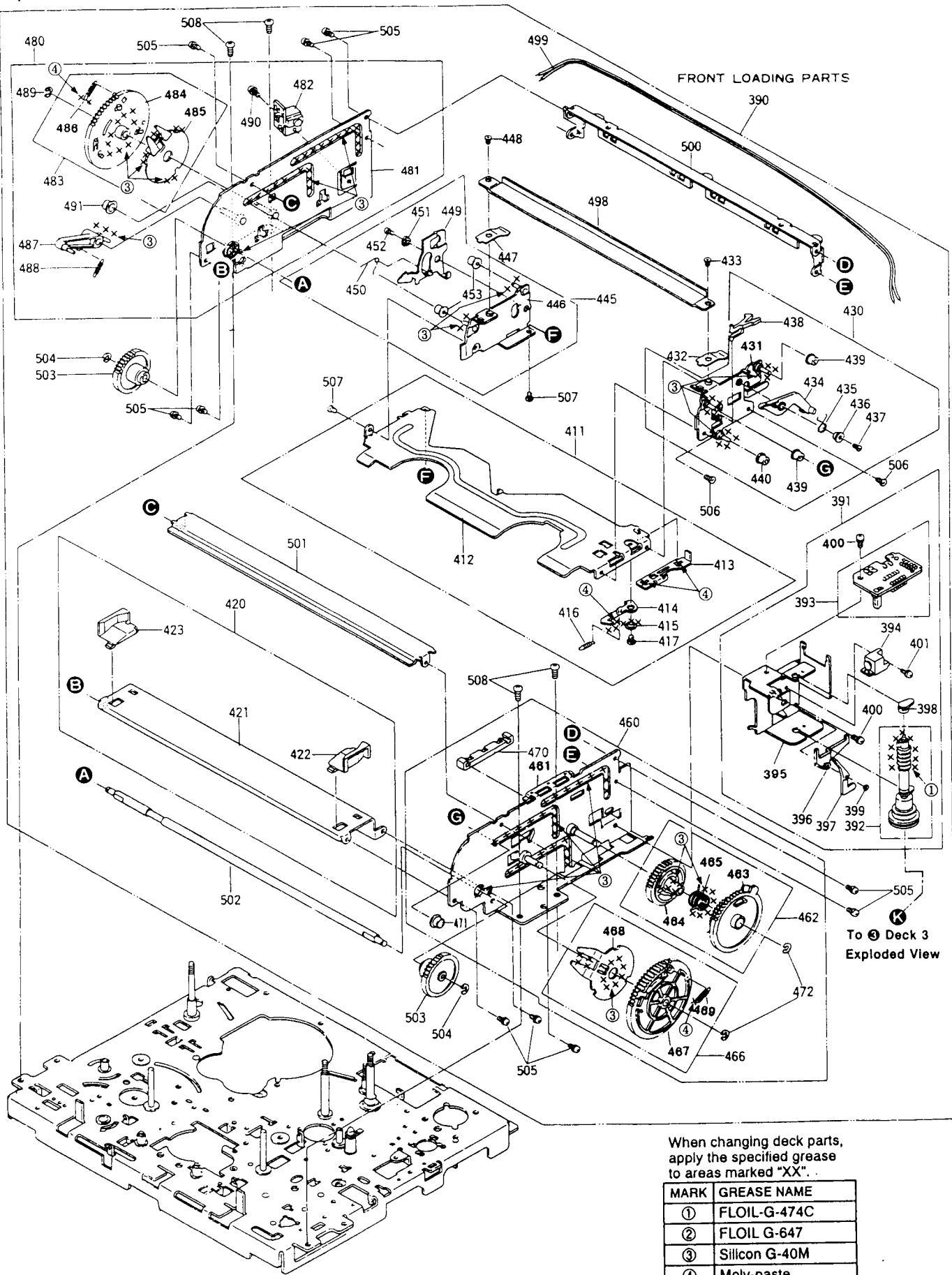
Model : VT2240AT01



COMPARISON CHART OF MODELS & MARKS

MODEL	TYPE
VC4243	A
VC4263	B
CV1040	C
VT2240	D

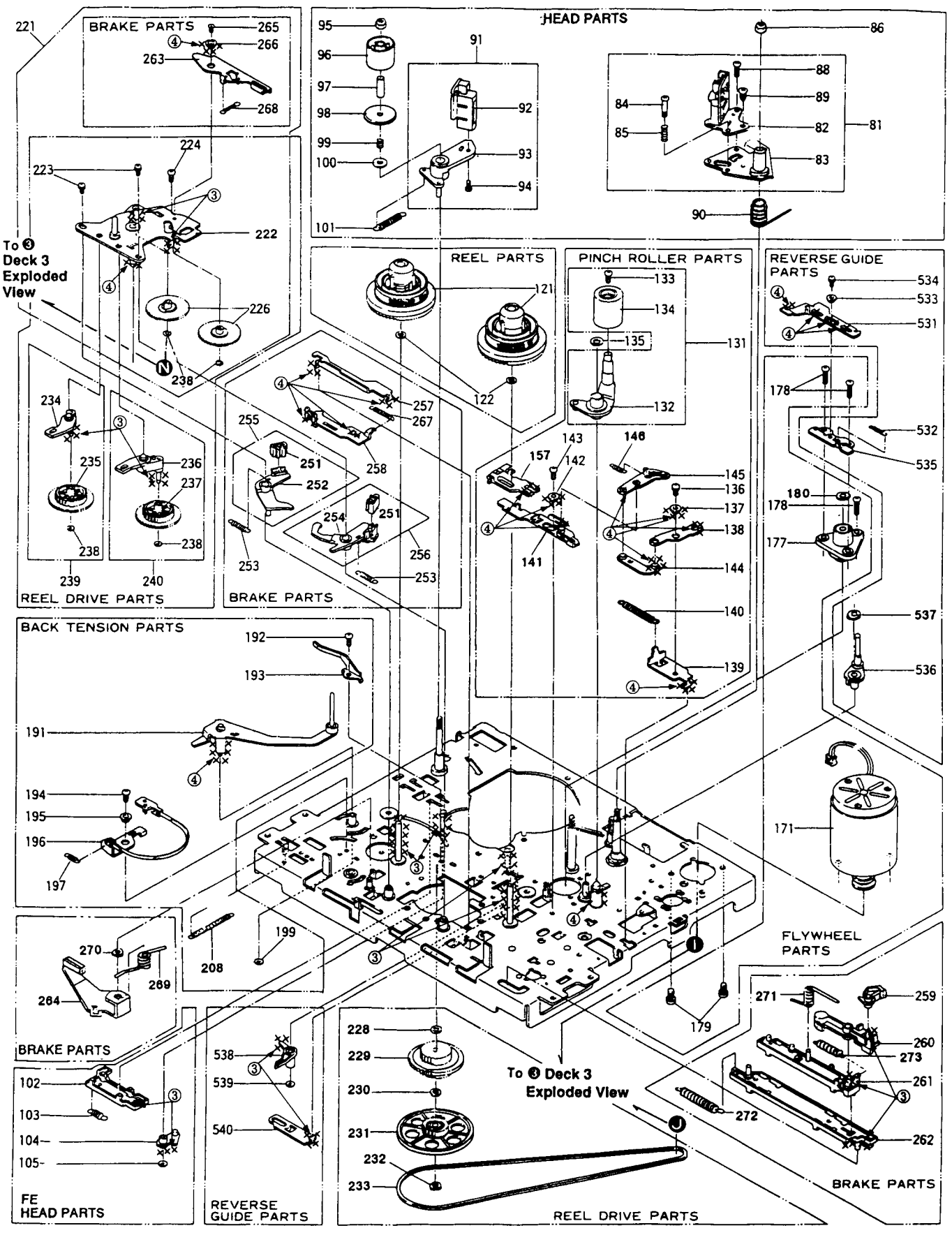
NOTE: Letters are used to show installation location for some parts. (Ex; J located at Capstan 171 mounted position and J' is placement of belt on Capstan pulley).



To Deck 3 Exploded View

When changing deck parts, apply the specified grease to areas marked "XX".

MARK	GREASE NAME
①	FLOIL-G-474C
②	FLOIL G-647
③	Silicon G-40M
④	Moly-paste



BRAKE PARTS

HEAD PARTS

To Deck 3
Exploded
View

REEL PARTS

PINCH ROLLER PARTS

REVERSE GUIDE PARTS

REEL DRIVE PARTS

BRAKE PARTS

BACK TENSION PARTS

BRAKE PARTS

FE HEAD PARTS

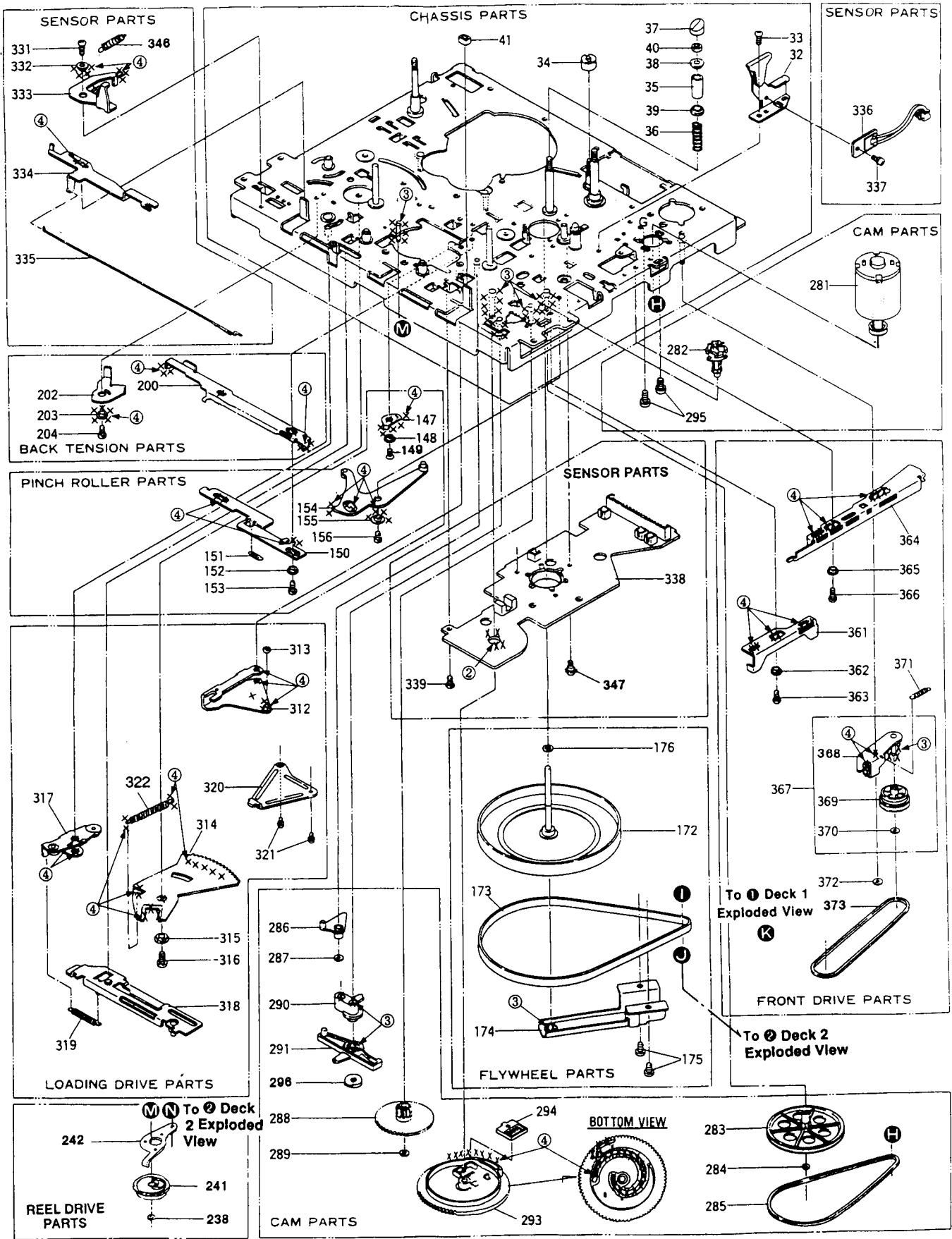
REVERSE GUIDE PARTS

FLYWHEEL PARTS

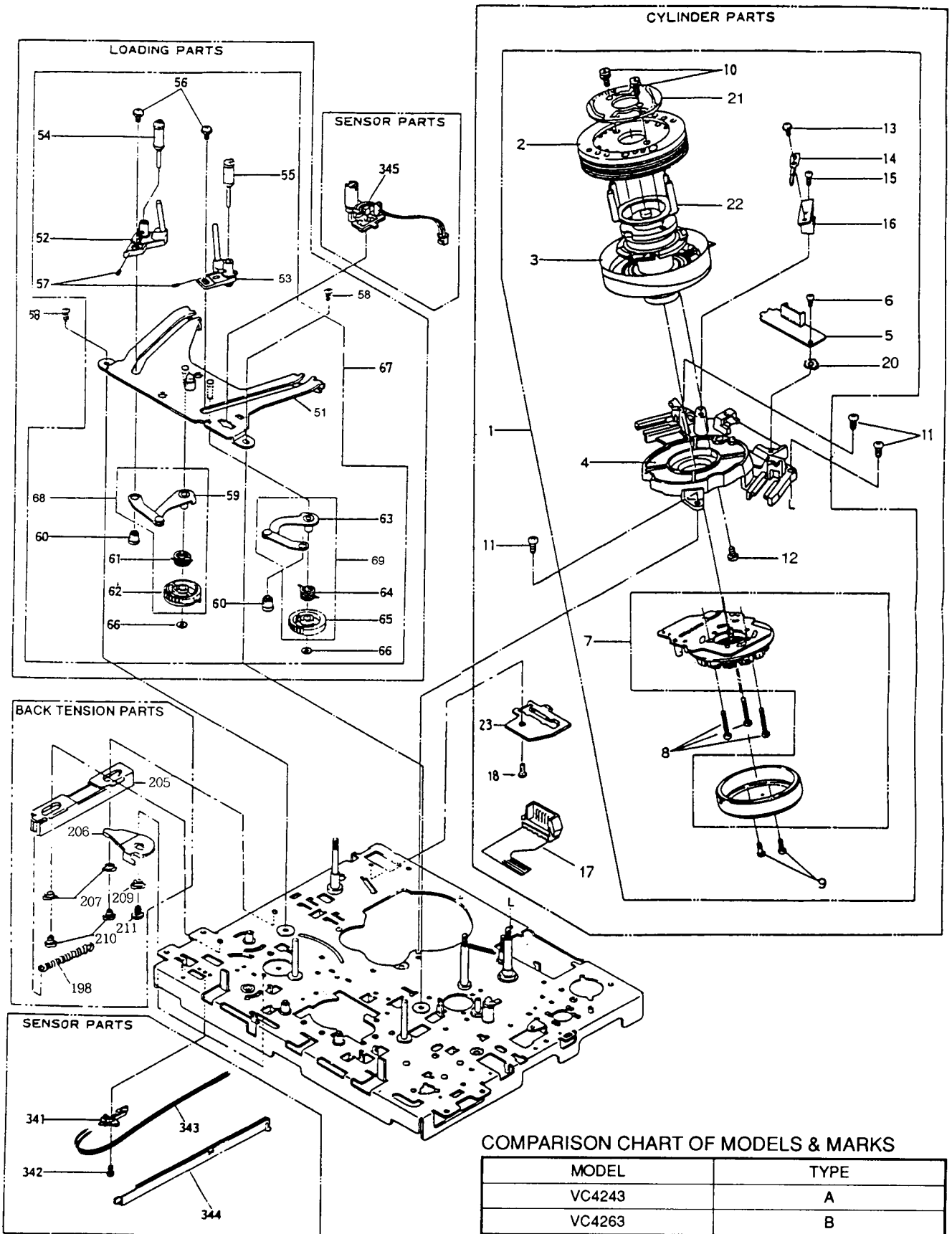
BRAKE PARTS

To Deck 3
Exploded View

REEL DRIVE PARTS



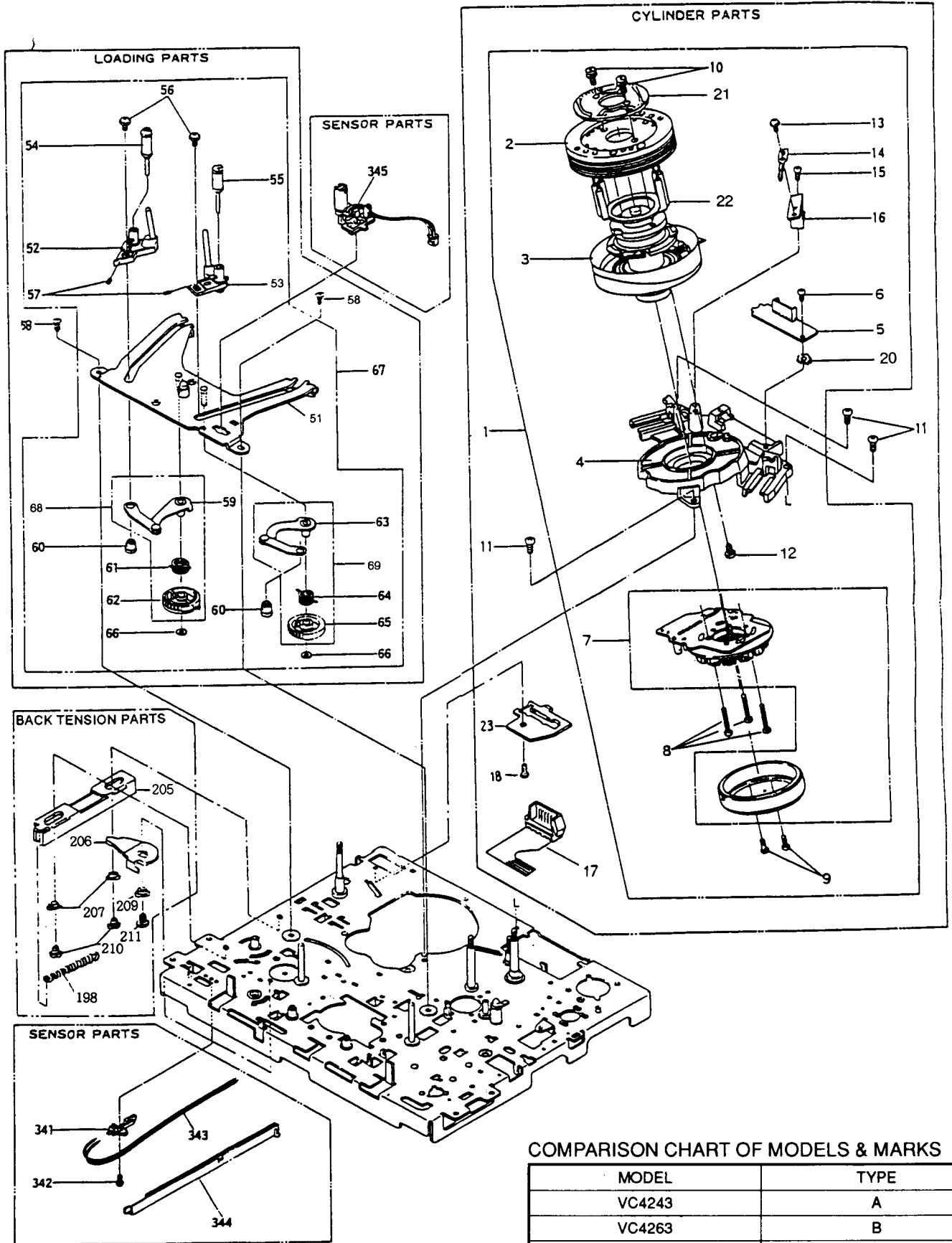
④ DECK 4 EXPLODED VIEW (A,C,D)



COMPARISON CHART OF MODELS & MARKS

MODEL	TYPE
VC4243	A
VC4263	B
CV1040	C
VT2240	D

④ DECK 4 EXPLODED VIEW (B)



COMPARISON CHART OF MODELS & MARKS

MODEL	TYPE
VC4243	A
VC4263	B
CV1040	C
VT2240	D

MECHANICAL REPLACEMENT PARTS LIST

COMPARISON CHART OF MODELS & MARKS

MODEL	TYPE
VC4243	A
VC4263	B
CV1040	C
VT2240	D

Ref.	Type	Drawing	Description	Q'ty	ID No.	Part No.
A-1X	A	B	Front Ass'y	1	OVM200500	4835 443 47162
	B	B		1	OVM200503	4835 443 47161
	C	B		1	OVM200501	4835 443 47163
	D	B		1	OVM200502	4835 443 47166
			Consists of the following :			
A-1	A	B	Front Panel Ass'y : (Consists of A2~A4)	1	OVM200500X	-----
	B	B	Front Panel Ass'y : (Consists of A2~A4)	1	OVM200503X	-----
	C	B	Front Panel Ass'y : (Consists of A2~A4)	1	OVM200501X	-----
	D	B	Front Panel Ass'y : (Consists of A2~A4)	1	OVM200502X	-----
A-2	A,B,C,D	B	Plate, Counter (Non repairable)	1		
A-3	B	B	Plate, Level (Non repairable)	1		
A-4	A,B,C,D	B	Panel, Counter (Non repairable)	1		
A-5	A,C,D	B	Plate, Timer	1	OVM300324	4835 459 17219
	B		Plate, Timer	1	OVM300434	4835 459 17221
A-6	A,B,C,D	B	Latch	2	6D51218	4835 417 27005
A-7	A,B,C,D	B	Door, Timer	1	OVM200335	4835 443 67137
A-8	A,B	B	Badge, Brand	1	OVM400816	4835 459 17184
	C		Badge, Brand	1	OVM401475	4835 459 17203
	D		Badge, Brand	1	OVM401494	4835 459 17204
A-9	A,B,C,D	B	Cushion, Door	1	OVM400346	-----
A-10	A,B,C,D	B	Spacer	1	OVM400719	-----
A-11	A,B,C,D	B	Spring, Door	1	6V50109	4835 492 97081
A-12	A,B,C,D	B	Door, Cassette	1	OVM401443	4835 443 67138
A-13	A,B,C,D	B	Foot	2	6E50453	4835 462 47039
A-14	A,B,C,D	A	Case, Top	1	OVM100096	4835 443 27016
A-15	A,B,C,D	A	Panel, Bottom	1	6G50110A	4835 443 57022
A-16	A	A	Label, Type	1	OVM401447	-----
	B	A	Label, Type	1	OVM401446	-----
	C	A	Label, Type	1	OVM401489	-----
	D	A	Label, Type	1	OVM401527	-----
A-17	A,B,C,D	A	Jack Board (See Main Parts List)			
B1-1	A,C,D	A	Deck Ass'y (See Deck List)	1	OVDK00077	4835 691 27109
	B	A	Deck Ass'y (See Deck List)	1	OVDK00078	4835 691 27111
B2-1	A,B,C,D	A	Chassis	1	OVM000002	-----
B2-2	A,B,C,D	A	Ground Plate, Conv.	1	OVM401437	-----
B2-3	A,B,C,D	A	Ground Plate, Side	1	6S50356	-----
B2-4	A,B,C,D	A	Ground Plate, C.B.A.	1	OVM401157	-----
B2-10	A,B,C,D	A	Ground Plate, Top Case	1	OVM401133	-----
B2-11	A,B,C,D	A	Spacer, Deck Top	2	OVM401389	4835 532 97052
B2-12	A,B,C,D	A	Spacer, Main C.B.A.	2	OVM401165	-----
B2-15	A,B,C,D	A	Spacer, Deck Bottom	1	OVM400836	-----
B2-16	A,B,C,D	A	Spacer, Main C.B.A.	2	OVM402001	-----
B2-17	A,B,C,D	A	Spacer, Main C.B.A. Bottom (See Main Parts List)			

MECHANICAL REPLACEMENT PARTS LIST (CONTINUED)

Ref.	Type	Drawing	Description	Q'ty	ID No.	Part No.
B2-18	A,B,C,D	A	Spacer (See Power Supply Parts List)			
L2B01	A,B,C,D	A	Screw, P-tight, Brazier, Flange, M3x10	3	GCMP3100	-----
L2D01	A,B,C,D	A	Screw, CE-tight, Tras Head, M4x8 or C-tight, Tras Head, M4x8 (See Power Supply Parts List)	2		
L2E01	A,B,C,D	A	Screw, P-tight, Bind Head, M4x12	3	GBKP4120	-----
L2G01	A,B,C,D	A	Screw, P-tight, Bind Head, M4x12 (See Power Supply Parts List)	4		
L2A01	A,B,C,D	A	Screw, P-tight, Bind Head, M3x10 (See Main Parts List)	5	GBMP3100	-----
L2A03	A,B,C,D	A	Screw, P-tight, Bind Head, M3x10 (See Main Parts List)	2	GBMP3100	-----
L2C01	A,B,C,D	A	Screw, Tapping, Bind Head, M3x10 (See Power Supply Parts List)	1		
L2C02	A,B,C,D	A	Screw, Tapping, Bind Head, M3x10 (See Power Supply Parts List)	3		
L2C03	A,B,C,D	A	Screw, Tapping, Bind Head, M3x10 (See Main Parts List)	1		
M-1	A,B,C,D	A	Heat Sink (See Main Parts List)			
M-3	A,B,C,D	A	Shield Plate, Top (See Main Parts List)			
M-4	A,B,C,D	A	Shield Plate, Bottom (See Main Parts List)			
M602	A,B,C,D	A	Holder, Trans (See Power Supply Parts List)			
M801	A,B,C,D	B	Holder, Fip (See Display / Control Parts List)			
M802	B	B	Holder, Level Meter (See Display / Control Parts List)			
			Accessory			
	A,B,C,D		RF Cable	1	5750406	4835 323 27011
				1	5750398	4835 323 27011
				1	5750476	4835 323 27011
	A		Remote Control	1	1813740	4835 214 37041
	B		Remote Control	1	1813738	4835 218 37051
	C		Remote Control	1	1813739	4835 218 37054
	D		Remote Control	1	1813775	4835 218 37053
	A		Owner's Manual	1	0VMN00337	00IB 602 00001
	B		Owner's Manual	1	0VMN00336	00IB 604 70001
	C		Owner's Manual	1	0VMN00355	00IB 602 20001
	D		Owner's Manual	1	0VMN00360	00IB 602 10001

DECK REPLACEMENT PARTS LIST

COMPARISON CHART OF MODELS & MARKS

MODEL	TYPE
VC4243	A
VC4263	B
CV1040	C
VT2240	D

NOTE: Items 14 and 19 must be replaced together.

Ref.	Model	Drawing No.	Description	Q'ty	ID No.	Part No.
1	ACD	4	Cylinder Assembly	1	8054-84-40A	4835 691 27112
	B	4	Cylinder Assembly	1	8059-86-40A	4835 691 27117
2	ACD	4	Drum, Upper	1	8059-01-34	4835 691 27115
	B	4	Drum, Upper	1	8059-01-35	4835 691 27116
3	ACD	4	Drum Assembly, Lower	1	8059-01-315	4835 691 27113
	B	4	Drum Assembly, Lower	1	8059-01-327	4845 691 27114
4	ABCD	4	Mount, Cylinder	1	8059-01-01	-----
5	ACD	4	P.C.B. Assembly, Video Out	1	8059-01-316	4835 214 37361
	B	4	P.C.B. Assembly, Video Out	1	8059-01-328	4835 214 37362
6	ABCD	4	Screw, W Sems, M2.6 x 6	1	9973-00-00	-----
7	ABCD	4	Motor TM84	1	6004-09-01	4835 361 27059
8	ABCD	4	Screw, C-tight, M2.6 x 20	3	9055-00-00	4835 503 97009
9	ABCD	4	Screw, Sems, M2.6 x 6	2	9098-00-00	-----
10	ABCD	4	Screw, Bind Sems, M3 x 8	2	9972-00-00	-----
11	ABCD	4	Screw, C-tight, M3 x 10	3	9205-00-00	-----
12	ABCD	4	Screw, B-tight M2 x 6	1	9999-18-18	-----
13	ABCD	4	Screw, Cap, M2.6 x 3	1	9665-00-00	-----
14	ABCD	4	Flat Spring Ground, Drum	1	8059-01-54	-----
15	ABCD	4	Screw, C-tight, M2.6 x 5	1	9192-00-00	-----
16	ABCD	4	Bracket, Drum Ground	1	8059-01-02	-----
17	ABCD	4	P.C.B. Assembly, DM	1	8059-01-347	4835 214 37175
18	ABCD	4	Screw, C-tight, M2.6 x 5	1	9192-00-00	-----
19	ABCD	4	Drum Ground	1	8059-01-23	4835 290 87033
20	ABCD	4	Washer, Toothed Lock, M2.6	1	9715-00-00	4835 530 87078
21	ACD	4	P.C.B. for Upper Drum (C)	1	8059-01-30	4835 214 37358
	B	4	P.C.B. for Upper Drum (C)	1	8059-01-31	4835 214 37359
22	ACD	4	Relay, Terminal (B)	1	8000-01-46	4835 290 47058
	B	4	Relay, Terminal (D)	1	8059-01-24	4835 290 47059
23	ABCD	4	Connector Bracket	1	8059-01-71	-----
32	ABCD	3	Open Angle	1	8059-02-301	-----
33	ABCD	3	Screw, C-tight, M2.6 x 4	1	9191-00-00	-----
34	ABCD	3	Adjuster, Tracking	1	8059-02-29	-----
35	ABCD	3	Guide, Tape	1	8000-03-14	4835 402 97234
36	ABCD	3	Spring, Tape Guide	1	8059-02-26	4835 492 97083
37	ABCD	3	Cap, Guide	1	8000-03-19	-----
38	ABCD	3	Flange (C), Tape Guide	1	8000-03-28	4835 530 87064
39	ABCD	3	Flange (D), Tape Guide	1	8000-03-29	4835 530 87065
40	ABCD	3	Nut M3.0	1	9453-00-00	-----
41	ABCD	3	Rubber, Damper	1	8059-02-23	-----
51	ABCD	4	Loading Base	1	8059-03-501	-----
52	ABCD	4	Block (L), Loading	1	8059-03-04	-----
53	ABCD	4	Block (R), Loading	1	8059-03-05	-----
54	ABCD	4	Roller Post ST	1	8000-03-37	4835 402 97235
55	ABCD	4	Roller Post ST	1	8000-03-37	4835 402 97235
56	ABCD	4	Screw, Cup, M2.6 x 3	2	9665-00-00	-----
57	ABCD	4	Screw, Set, M2.0 x 3 (Plane Type)	2	9550-00-00	-----
58	ABCD	4	Screw, C-tight, M2.6 x 5	2	9192-00-00	-----

DECK REPLACEMENT PARTS LIST (Continued)

Ref.	Model	Drawing No.	Description	Q'ty	ID No	Part No
59	ABCD	4	Plate (L), Loading	1	8059-03-502	-----
60	ABCD	4	Boss, Loading	2	8059-03-14	-----
61	ABCD	4	Spring (L), Loading Gear	1	8059-03-08	4835 522 37105
62	ABCD	4	Gear (L), T Loading	1	8059-03-06	4835 522 37103
63	ABCD	4	Plate (R), Loading	1	8059-03-503	-----
64	ABCD	4	Spring (R), Loading Gear	1	8059-03-09	4835 492 97084
65	ABCD	4	Gear (R), T Loading	1	8059-03-07	4835 522 37104
66	ABCD	4	Washer, Polyslider 2.6 x 6 x 0.5	2	9884-00-00	4835 530 87082
67	ABCD	4	Loading Base Assembly	1	8059-03-301	4835 464 77054
68	ABCD	4	Loading Gear (L) Assembly	1	8059-03-302	4835 522 37106
69	ABCD	4	Loading Gear (R) Assembly	1	8059-03-303	4835 522 37107
81	ABCD	2	Head Base Assembly	1	8059-04-308	4835 464 77056
82	ABCD	2	Head, ACE	1	6204-15-06	-----
83	ABCD	2	Base, Head	1	8059-04-502	-----
84	ABCD	2	Screw, Azimuth Spring	1	8000-06-26	-----
85	ABCD	2	Spring, Azimuth	1	8000-06-04	4835 492 97082
86	ABCD	2	Nut, Nylon M3	1	9953-00-00	4835 506 97014
88	ABCD	2	Screw, M2.6 x 7	1	9705-00-00	-----
89	ABCD	2	Screw, Set, M3 x 6	1	9999-20-25	-----
90	ABCD	2	Spring, Head	1	8059-04-15	4835 492 97088
91	ABCD	2	Plate Assembly, Full Erase	1	8059-04-302	4835 464 77055
92	ABCD	2	Head, Full Erase	1	6204-15-03	-----
93	ABCD	2	Plate, Full Erase	1	8059-04-04	-----
94	ABCD	2	Screw, Flange Bind, M2 x 3	1	9114-00-00	-----
95	ABCD	2	Nut, Nylon M3	1	9953-00-00	4835 506 97014
96	ABCD	2	Roller, Impedance	1	8059-04-05	4835 528 77033
97	ABCD	2	Sleeve, Impedance Roller	1	8059-04-06	4835 530 87066
98	ABCD	2	Flange (A), Tape Guide	1	8059-04-07	4835 530 87067
99	ABCD	2	Spring, Tape Guide Flange	1	8059-04-09	4835 492 97086
100	ABCD	2	Washer, Plane $\phi 3 \times \phi 8 \times 0.5$	1	9337-00-00	4835 530 87077
101	ABCD	2	Spring, FE Plate	1	8059-04-08	4835 492 97085
102	ABCD	2	Plate, FE Slide	1	8059-04-10	-----
103	ABCD	2	Spring, FE Actuate	1	8059-04-12	4835 492 97087
104	ABCD	2	Lever, FE Actuate	1	8059-04-11	4835 402 97236
105	ABCD	2	Washer, Polyslider $\phi 2.1 \times \phi 5 \times 0.5$	1	9876-00-00	4835 530 87089
121	ABCD	2	Reel Assembly	2	8059-05-301	4835 528 17018
122	ABCD	2	Washer, $\phi 3.1 \times \phi 6 \times 0.5$	2	9912-00-00	4835 530 87083
131	ABCD	2	Arm Assembly, Pinch Roller	1	8059-06-301	4835 464 77057
132	ABCD	2	Arm Pinch Roller	1	8059-06-501	-----
133	ABCD	2	Screw, M2.6 x 4	1	9038-00-00	-----
134	ABCD	2	Roller (A), Pinch	1	8000-09-22	-----
135	ABCD	2	Washer, Polyslider, $\phi 5 \times \phi 8 \times 0.5$	1	9999-03-11	4835 530 87085
136	ABCD	2	Screw, Sems, M2.6 x 4	1	9096-00-00	-----
137	ABCD	2	Collar	1	8059-06-18	4835 530 87072
138	ABCD	2	Angle, P Actuate	1	8059-06-05	-----
139	ABCD	2	Holder, P Angle	1	8059-06-19	-----
140	ABCD	2	Spring, P Roller	1	8059-06-20	4835 492 97091
141	ABCD	2	Plate (A), P Slide	1	8059-06-24	-----
142	ABCD	2	Collar	1	8059-06-18	4835 530 87072
143	ABCD	2	Screw, C-tight, M2.6 x 5	1	9192-00-00	-----
144	ABCD	2	Joint Plate	1	8059-06-06	-----
145	ABCD	2	Arm, P Actuate	1	8059-06-04	4835 402 97237
146	ABCD	2	Spring, P Actuate Arm	1	8059-06-09	4835 492 97089
147	ABCD	3	Crank, P	1	8059-06-12	4835 402 97239
148	ABCD	3	Collar, P Crank	1	8059-06-13	4835 530 87069
149	ABCD	3	Screw, C-tight FH (For Camera), M2.6 x 4	1	9999-18-10	-----
150	ABCD	3	Slider, P	1	8059-06-10	4835 402 97238

DECK REPLACEMENT PARTS LIST (Continued)

Ref.	Model	Drawing No.	Description	Q'ty	ID No.	Part No.
151	ABCD	3	Spring, P Slider	1	8059-06-23	4835 492 97092
152	ABCD	3	Collar, P Slider	1	8059-06-11	4835 530 87068
153	ABCD	3	Screw, C-tight, M2.6 x 5	1	9192-00-00	-----
154	ABCD	3	Lever, P Cam	1	8059-06-502	4835 402 97241
155	ABCD	3	Collar, P Cam Lever	1	8059-06-17	4835 530 87071
156	ABCD	3	Screw, C-tight, M2.6 x 5	1	9192-00-00	-----
157	ABCD	2	Plate (B), P Slide	1	8059-06-25	-----
171	ABCD	2	Motor Assembly, Capstan	1	8059-07-302	4835 361 27039
172	ABCD	3	Capstan, Flywheel	1	8059-07-14	4835 528 67002
173	ABCD	3	Belt, Main	1	8059-07-10	4835 358 37075
174	ABCD	3	Angle Assembly, Flywheel	1	8059-07-303	-----
175	ABCD	3	Screw, C-tight, M3 x 5	2	9202-00-00	-----
176	ABCD	3	Washer, $\phi 3.1 \times \phi 6 \times 10.5$	1	9912-00-00	4835 530 87083
177	ABCD	2	Housing Assembly, Metal	1	8059-07-301	-----
178	ABCD	2	Screw, C-tight, M2.6 x 8	3	9195-00-00	-----
179	ABCD	2	Screw, Sems, M3 x 4	2	9105-00-00	-----
180	ABCD	2	Nylon Washer $\phi 2.92 \times \phi 5 \times 10.5$	1	9999-06-03	4835 530 87087
191	ABCD	2	Arm, Back Tension	1	8059-08-501	4835 402 97245
192	ABCD	2	Screw, C-tight, M2.6 x 4	1	9191-00-00	-----
193	ABCD	2	Support, Back Tension	1	8059-08-09	4835 402 97242
194	ABCD	2	Screw, C-tight, M2.6 x 4	1	9191-00-00	-----
195	ABCD	2	Collar, Band Holder	1	8059-08-15	4835 530 87073
196	ABCD	2	Band, BT	1	8059-08-302	4835 463 17003
197	ABCD	2	Spring, Band Holder	1	8059-08-17	4835 492 97094
198	ABCD	4	Spring, Back Tension	1	8059-08-13	4835 492 97093
199	ABCD	2	Washer, Polyslider, $\phi 2.1 \times \phi 4 \times 10.5$	1	9999-03-15	4835 530 87086
200	ABCD	3	Plate, BT Change	1	8059-08-10	4835 466 97025
202	ABCD	3	Lever, BT Return	1	8059-08-23	4835 402 97244
203	ABCD	3	Collar	1	8059-06-18	4835 530 87072
204	ABCD	3	Screw, C-tight, M2.6 x 5	1	9192-00-00	-----
205	ABCD	4	Plate, BT Actuate	1	8059-08-19	-----
206	ABCD	4	Lever, BT Actuate	1	8059-08-18	4835 402 97243
207	ABCD	4	Collar, BT Actuate Plate	2	8059-08-21	4835 530 87074
208	ABCD	2	Spring, BT Actuate Plate	1	8059-08-20	4835 492 97095
209	ABCD	4	Collar	1	8059-06-18	4835 530 87072
210	ABCD	4	Screw, S-tight (For Camera) M2.6 x 3.5	2	9840-00-00	-----
211	ABCD	4	Screw, C-tight M2.6 x 5	1	9192-00-00	-----
221	ABCD	2	Plate Assembly	1	8059-09-312	4835 464 77058
222	ABCD	2	Plate Semi Assembly	1	8059-09-503	-----
223	ABCD	2	Screw, Sems, M2 x 4	2	9077-00-00	-----
224	ABCD	2	Screw, C-tight, M2.6 x 4	1	9192-00-00	-----
226	ABCD	2	Gear, Reel Drive	2	8059-09-06A	4835 402 97246
228	ABCD	2	Washer, Nylon, $\phi 3.1 \times \phi 6 \times 10.3$	1	9853-00-00	4835 530 87081
229	ABCD	2	Clutch Assembly	1	8059-09-311	4835 522 37108
230	ABCD	2	Washer, Nylon, $\phi 2.98 \times \phi 6 \times 10.3$	1	9999-06-04	4835 530 87088
231	ABCD	2	Pulley Assembly, Middle	1	8059-09-301	4835 528 87011
232	ABCD	2	Washer, Polyslider, $\phi 2.6 \times \phi 6 \times 10.5$	1	9884-00-00	4835 530 87082
233	ABCD	2	Belt, Drive	1	8059-09-17	4835 358 37076
234	ABCD	2	Arm Assembly, P Gear	1	8059-09-303	-----
235	ABCD	2	Gear, Play	1	8059-09-20A	-----
236	ABCD	2	Arm Assembly, RF Gear	1	8059-09-304	-----
237	ABCD	2	Gear, FF	1	8059-09-22A	-----
238	ABCD	2,3	Washer, Polyslider, $\phi 1.6 \times \phi 3.8 \times 10.3$	5	9743-00-00	4835 530 87079
239	ABCD	2	Gear Assembly, P	1	8059-09-314	4835 522 37111
240	ABCD	2	Gear Assembly, RF	1	8059-09-315	4835 522 37112
241	ABCD	3	Return Gear Assembly	1	8059-09-313	4835 522 37109
242	ABCD	3	Return Arm	1	8059-09-53	4835 402 97247

DECK REPLACEMENT PARTS LIST (Continued)

Ref.	Model	Drawing No.	Description	Q'ty	ID No.	Part No.
251	ABCD	2	Shoe, Brake	2	8059-10-19	-----
252	ABCD	2	Arm, S Brake	1	8059-10-01	-----
253	ABCD	2	Spring, Brake Arm	2	8059-10-02	4835 492 97096
254	ABCD	2	Arm, T Brake	1	8059-10-03	-----
255	ABCD	2	Arm Assembly, S Brake	1	8059-10-301	4835 464 77059
256	ABCD	2	Arm Assembly, T Brake	1	8059-10-302	4835 464 77061
257	ABCD	2	Lifter, Brake	1	8059-10-16	4835 466 47015
258	ABCD	2	Actuator, L Brake	1	8059-10-17	4835 466 47016
259	ABCD	2	Hook, Trigger	1	8059-10-14	4835 402 97249
260	ABCD	2	Lever, Trigger	1	8059-10-13	4835 402 97248
261	ABCD	2	Plate, Brake	1	8059-10-11	4835 466 97026
262	ABCD	2	Brake Actuate, Base	1	8059-10-09	4835 466 47014
263	ABCD	2	Brake, Take-up soft	1	8059-10-303	-----
264	ABCD	2	Brake, S Soft	1	8059-10-304	4835 466 47017
265	ABCD	2	Screw, SL FH (For Camera), M2 x 3	1	9974-00-00	-----
266	ABCD	2	Collar, Take-up Soft Brake Arm	1	8059-10-07	-----
267	ABCD	2	Spring, L Brake Actuator	1	8059-10-18	4835 492 97099
268	ABCD	2	Spring, Take-up Soft Brake Arm	1	8059-10-06	-----
269	ABCD	2	Spring, S Soft Brake	1	8059-10-22	4835 492 97101
270	ABCD	2	Washer, Polyslider, $\phi 2.1 \times \phi 5 \times 10.5$	1	9876-00-00	4835 530 87089
271	ABCD	2	Spring, Trigger Lever	1	8059-10-23	4835 492 97102
272	ABCD	2	Brake Actuate Base Spring	1	8059-10-10	4835 492 97097
273	ABCD	2	Brake Plate Spring	1	8059-10-12	4835 492 97098
281	ABCD	3	LM Assembly	1	8059-11-301	4835 361 27041
282	ABCD	3	Bearing Assembly, Trigger	1	8059-11-302	4835 464 77063
283	ABCD	3	Pulley, Loading	1	8059-11-03	4835 528 87012
284	ABCD	3	Washer, Polyslider, $\phi 1.6 \times \phi 3.8 \times 10.3$	1	9743-00-00	4835 530 87079
285	ABCD	3	Belt, Loading	1	8059-11-06	4835 358 37077
286	ABCD	3	Arm (B), Search	1	8059-11-12	4835 402 97251
287	ABCD	3	Washer, Polyslider, $\phi 2.6 \times \phi 6 \times 10.5$	1	9884-00-00	4835 530 87082
288	ABCD	3	Gear, Loading	1	8059-11-04	4835 522 37113
289	ABCD	3	Washer, Polyslider, $\phi 2.1 \times \phi 5 \times 10.5$	1	9876-00-00	4835 530 87089
290	ABCD	3	Arm, Brake Actuate	1	8059-11-13	4835 402 97252
291	ABCD	3	Arm, Eject Actuate	1	8059-11-14	4835 402 97253
293	ABCD	3	Cam, Loading	1	8059-11-01	4835 528 37007
294	ABCD	3	Brush, S	1	8059-11-02	4835 464 77062
295	ABCD	3	Screw, C-tight, M3 x 4	2	9105-00-00	-----
296	ABCD	3	Washer, Polyslider, $\phi 2.6 \times \phi 8 \times 10.5$	1	9999-03-10	4835 530 87084
312	ABCD	3	Lever Semi Assembly, Loading	1	8059-12-501	4835 402 97255
313	ABCD	3	Roller, Cam	1	8059-12-13	4835 528 77034
314	ABCD	3	Plate, Loading Gear	1	8059-12-09	4835 402 97254
315	ABCD	3	Collar, Loading Gear Plate	1	8059-12-10	4835 530 87075
316	ABCD	3	Screw, C-tight, M3 x 6	1	9203-00-00	-----
317	ABCD	3	Lever Semi Assembly, Loading Actuate	1	8059-12-502	4835 402 97256
318	ABCD	3	Plate, Semi Assembly, Loading Actuate	1	8059-12-503	4835 466 97028
319	ABCD	3	Spring, Loading Actuate	1	8059-12-05	4835 492 97103
320	ABCD	3	Plate, Loading Lever Reinforce	1	8059-12-11	4835 466 97027
321	ABCD	3	Screw, Sems, M2 x 5	2	9078-00-00	-----
322	ABCD	3	Spring, L Gear Plate	1	8059-12-12	4835 492 97104
331	ABCD	3	Screw, C-tight, M2.6 x 5	1	9192-00-00	-----
332	ABCD	3	Collar	1	8059-06-18	4835 530 87072
333	ABCD	3	Lever, REC	1	8059-13-06	4835 402 97257
334	ABCD	3	Actuator, REC	1	8059-13-07	4835 402 97258
335	ABCD	3	Spoke, REC Actuate	1	8059-13-11	4835 526 17007
336	ABCD	3	Sensor, DEW	1	6808-08-04	4835 280 97004
337	ABCD	3	Screw, Sems, M2.6 x 4	1	9096-00-00	-----
338	ABCD	3	Plate, Base	1	8059-13-307	-----

DECK REPLACEMENT PARTS LIST (Continued)

Ref.	Model	Drawing No.	Description	Q'ty	ID No.	Part No.
339	ABCD	3	Screw, S-tight (For Camera), M2.6 x 5	1	9691-00-00	-----
341	ABCD	4	Switch, Leaf	1	6401-01-151	4835 267 17001
342	ABCD	4	Screw, C-Tight, M2.6 x 5	1	9192-00-00	-----
343	ABCD	4	Wire	2	8059-13-08	-----
344	ABCD	4	Holder, Wire	1	8059-13-10	-----
345	ABCD	4	Lamp Holder Assembly	1	8059-13-306	4835 464 77064
346	ABCD	3	Spring, Rec Lever	1	8059-13-14	4835 492 97105
347	ABCD	3	Collar, Screw	1	8059-13-17	-----
361	ABCD	3	Actuator, Eject	1	8059-15-08	4835 402 97259
362	ABCD	3	Collar	1	8059-06-18	4835 530 87072
363	ABCD	3	Screw, C-tight, M2.6 x 5	1	9192-00-00	-----
364	ABCD	3	Plate, L Brake	1	8059-15-07	4835 466 97029
365	ABCD	3	Collar	1	8059-06-18	4835 530 87072
366	ABCD	3	Screw, C-tight, M2.6 x 5	1	9192-00-00	-----
367	ABCD	3	Arm Assembly, E Idler	1	8059-15-303	4835 464 77065
368	ABCD	3	Arm Semi Assembly, E Idler	1	8059-15-502	-----
369	ABCD	3	Pulley, Eject	1	8059-15-15	-----
370	ABCD	3	Washer, Polyslider, $\phi 1.6 \times \phi 3.8 \times t 0.3$	1	9743-00-00	4834 530 87079
371	ABCD	3	Spring, Idler Arm	1	8059-15-11	4835 492 97106
372	ABCD	3	Washer, Polyslider, $\phi 2.1 \times \phi 6 \times t 0.5$	1	9876-00-00	4835 530 87089
373	ABCD	3	Belt, Front Loading	1	8059-15-06	4835 358 37078
390	ABCD	1	Loading Assembly, Front	1	8059-16-337	4835 691 27043
391	ABCD	1	Bracket Assembly, Cassette Load	1	8059-16-318	4835 464 77071
392	ABCD	1	Clutch Assembly, Front Loading	1	8059-16-319	4835 528 27007
393	ABCD	1	P.C.B. Assembly, Front Loading	1	8059-16-320	4835 214 37176
394	ABCD	1	Sensor, P.C.B. (RM)	1	8059-16-316	-----
395	ABCD	1	Bracket Semi Assembly, Cassette Load	1	8059-16-506	4835 530 87079
396	ABCD	1	Lever, IN SW	1	8059-16-34	-----
397	ABCD	1	Lever, S SW	1	8059-16-33	-----
398	ABCD	1	Bearing (A), F Worm	1	8059-16-06	-----
399	ABCD	1	Washer, Polyslider, $\phi 1.6 \times \phi 3.8 \times t 0.3$	1	9743-00-00	-----
400	ABCD	1	Screw, Sems, M2.6 x 4	2	9096-00-00	-----
401	ABCD	1	Screw, Sems, M2 x 5	1	9078-00-00	-----
411	ABCD	1	Holder Assembly, Cassette	1	8059-16-306	4835 464 77066
412	ABCD	1	Holder, Cassette	1	8000-22-03	-----
413	ABCD	1	Plate, Slide	1	8000-22-13	-----
414	ABCD	1	Plate (A), C Lock	1	8000-22-12	-----
415	ABCD	1	Collar	1	8059-06-18	4835 530 87072
416	ABCD	1	Spring, Lock	1	8059-16-29	-----
417	ABCD	1	Screw, SL (For Camera), M2.6 x 3	1	9968-00-00	-----
420	ABCD	1	Angle Assembly, Front	1	8059-16-307	4835 464 77067
421	ABCD	1	Angle, Front	1	8059-16-18	-----
422	ABCD	1	Guide (R), Tape	1	8059-16-25	-----
423	ABCD	1	Guide (L), Tape	1	8059-16-24	-----
430	ABCD	1	Plate (R) Assembly, Side	1	8059-16-308	4835 464 77068
431	ABCD	1	Plate (R), Side	1	8059-16-502	-----
432	ABCD	1	Plate, Cassette Push	1	8059-16-28	4835 466 97031
433	ABCD	1	Screw (For Camera), M2.3 x 2	1	9833-00-00	-----
434	ABCD	1	Lever, Open	1	8000-22-25	-----
435	ABCD	1	Spring, Open Lever	1	8000-22-44	-----
436	ABCD	1	Lever Collar, Open	1	8000-22-42	-----
437	ABCD	1	Screw, SL (For Camera), M2 x 4	1	9967-00-00	-----
438	ABCD	1	Lever, Lock Release	1	8000-22-16	-----
439	ABCD	1	Roller, Guide	2	8000-22-75	-----
440	ABCD	1	Roller, Guide	1	8000-22-23	-----
445	ABCD	1	Plate (L) Assembly, Side	1	8059-16-309	4835 464 77069
446	ABCD	1	Plate (L), Side	1	8059-16-503	-----

DECK REPLACEMENT PARTS LIST (Continued)

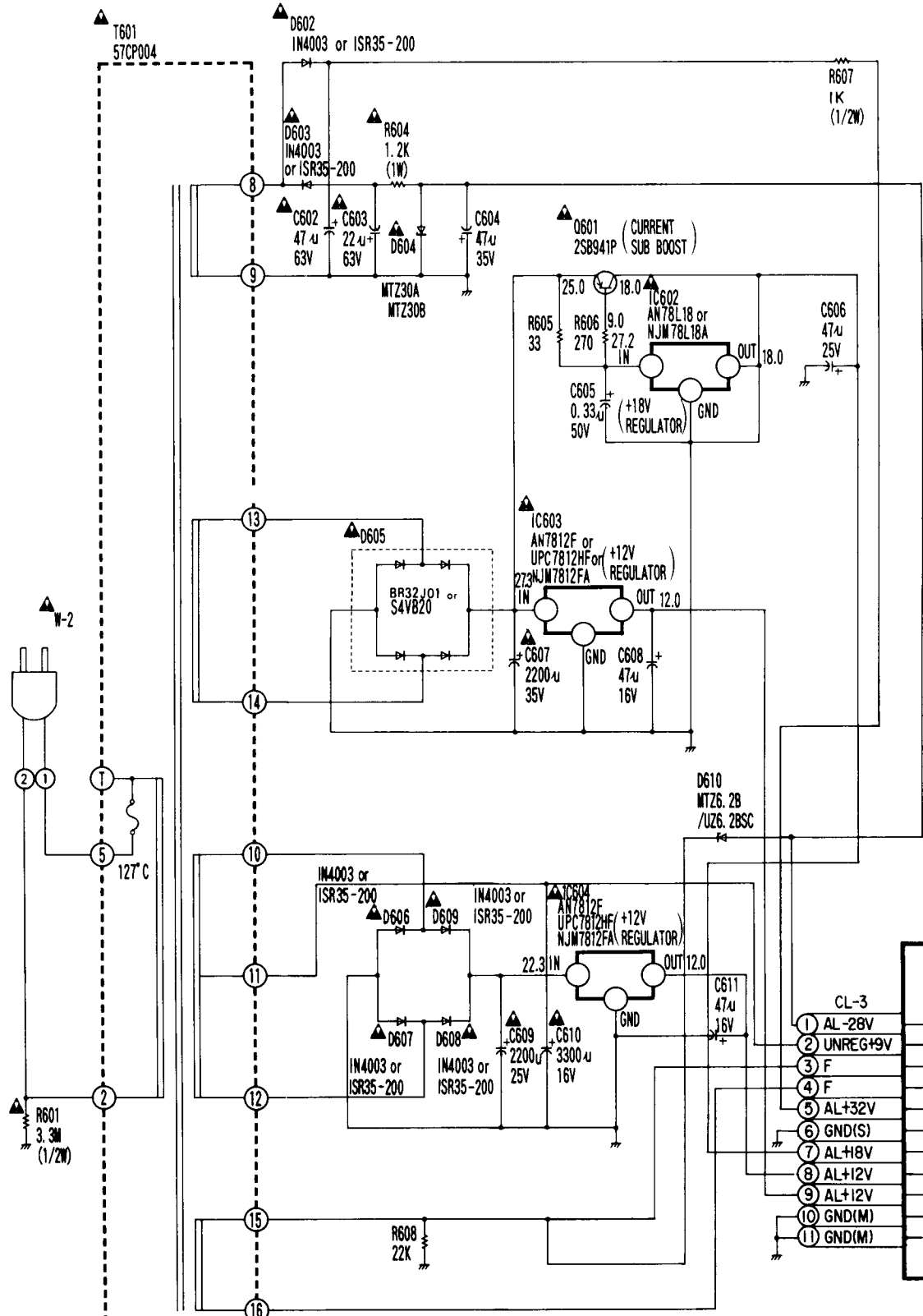
Ref.	Model	Drawing No	Description	Q'ty	ID No	Part No.
447	ABCD	1	Plate, Cassette Push	1	8059-16-70	4835 466 97031
448	ABCD	1	Screw (For Camera), M2.3 x 2	1	9833-00-00	-----
449	ABCD	1	Plate (L), C Lock	1	8000-22-66	-----
450	ABCD	1	Spring (L), Lock Plate	1	8059-16-30	-----
451	ABCD	1	Collar, Lock Plate	1	8000-19-63	-----
452	ABCD	1	Screw (For Camera), M2 x 2.5	1	9966-00-00	-----
453	ABCD	1	Roller, Guide	2	8000-22-75	-----
460	ABCD	1	Frame (R) Assembly	1	8059-16-341	4835 464 77073
461	ABCD	1	Frame (R)	1	8059-16-507	-----
462	ABCD	1	Wheel Assembly, Worm	1	8059-16-342	4835 522 37117
463	ABCD	1	Wheel, Worm	1	8059-16-36	-----
464	ABCD	1	Gear, Friction	1	8059-16-45	-----
465	ABCD	1	Spring, Friction	1	8059-16-69	-----
466	ABCD	1	Gear (R) Assembly, Lift	1	8059-16-312	4835 522 37115
467	ABCD	1	Gear (R), Lift	1	8000-22-15	-----
468	ABCD	1	Arm, Lift	1	8000-22-11	-----
469	ABCD	1	Spring, LP	1	8000-22-45	-----
470	ABCD	1	Guide, Open Lever	1	8000-22-26	-----
471	ABCD	1	Sleeve, Guide	1	8000-22-24	-----
472	ABCD	1	E Ring S 2.5	2	9504-00-00	4835 530 77004
480	ABCD	1	Frame (L) Assembly	1	8059-16-338	4835 464 77072
481	ABCD	1	Frame (L)	1	8059-16-508	-----
482	ABCD	1	Sensor, P.C.B. (LM)	1	8059-16-301	-----
483	ABCD	1	Gear (L) Assembly, Lift	1	8059-16-314	4835 522 37116
484	ABCD	1	Gear, Lift	1	8000-22-14	-----
485	ABCD	1	Arm, Lift	1	8000-22-11	-----
486	ABCD	1	Spring, LP	1	8000-22-45	-----
487	ABCD	1	Lever, Lift	1	8059-16-67	-----
488	ABCD	1	Spring, Lift Lever	1	8059-16-68	-----
489	ABCD	1	E Ring S 2.5	1	9504-00-00	4835 530 77004
490	ABCD	1	Screw, Sems, M2.6 x 7	1	9099-00-00	-----
491	ABCD	1	Sleeve, Guide	1	8000-22-24	-----
498	ABCD	1	Stay, Top	1	8000-22-65	-----
499	ABCD	1	Wire, End Sensor	1	8059-16-19	4835 280 97005
500	ABCD	1	Angle, Rear	1	8059-16-09	-----
501	ABCD	1	Plate, Upper	1	8059-16-66	4835 466 97032
502	ABCD	1	Shaft, Synchronize	1	8059-16-60	4835 526 17008
503	ABCD	1	Gear (A), Synchronize	2	8059-16-17	4835 522 37114
504	ABCD	1	E Ring S 2.5	2	9504-00-00	4835 530 77004
505	ABCD	1	Screw, Sems, M2.6 x 4	10	9096-00-00	-----
506	ABCD	1	Screw (For Camera), M2.6 x 3	2	9556-00-00	-----
507	ABCD	1	Screw (For Camera), M2.3 x 2.5	2	9991-00-00	-----
508	ABCD	1	Screw, C-Tight, M2.6 x 5	4	9192-00-00	-----
531	ABCD	2	Plate, RG Slide	1	8059-17-03	4835 466 97033
532	ABCD	2	Spring, RG Slide	1	8059-17-11	4835 492 97107
533	ABCD	2	Collar, RG Slide Plate	1	8059-17-10	4835 530 87076
534	ABCD	2	Screw, Sems, M2 x 4	1	9077-00-00	-----
535	ABCD	2	Base, RG Slide	1	8059-17-09	-----
536	ABCD	2	Arm Semi Assembly, RG	1	8059-17-502	4835 402 97263
537	ABCD	2	Washer, Polyslider, $\phi 2.6 \times \phi 6 \times t0.5$	1	9884-00-00	4835 530 87082
538	ABCD	2	Arm, RG Actuate	1	8059-17-01	4835 402 97261
539	ABCD	2	Washer, Polyslider, $\phi 2.1 \times \phi 5 \times t0.5$	1	9876-00-00	4835 530 87089
540	ABCD	2	RG Actuator	1	8059-17-02	4835 402 97262

ponents are grouped in one
bol ▲ on the schematics o

Use of substitute replacem
same specified safety cha
fire, or other hazards.

Under no circumstances sh
fied or altered without writ
sumer Electronics Compai
express or implied, arising
tion of design. Servicer a

* Broken Line: — • —



POWER SUPPLY
CONN. C.B.A.

CL-3

- ① AL -28V
- ② UNREG+9V
- ③ F
- ④ F
- ⑤ AL+32V
- ⑥ GND(S)
- ⑦ AL+18V
- ⑧ AL+12V
- ⑨ AL+12V
- ⑩ GND(M)
- ⑪ GND(M)

TO MAIN
CN-3PS

- 1 AL -28V
- 2 UNREG +9V
- 3 F
- 4 F
- 5 AL +32V
- 6 GND (S)
- 7 AL +18V
- 8 AL +12V
- 9 AL +12V
- 10 GND (M)
- 11 GND (M)

REFER TO PAGE 1-4 FOR SCHEM

REFER TO PAGES 1, 101 AND 1, 1