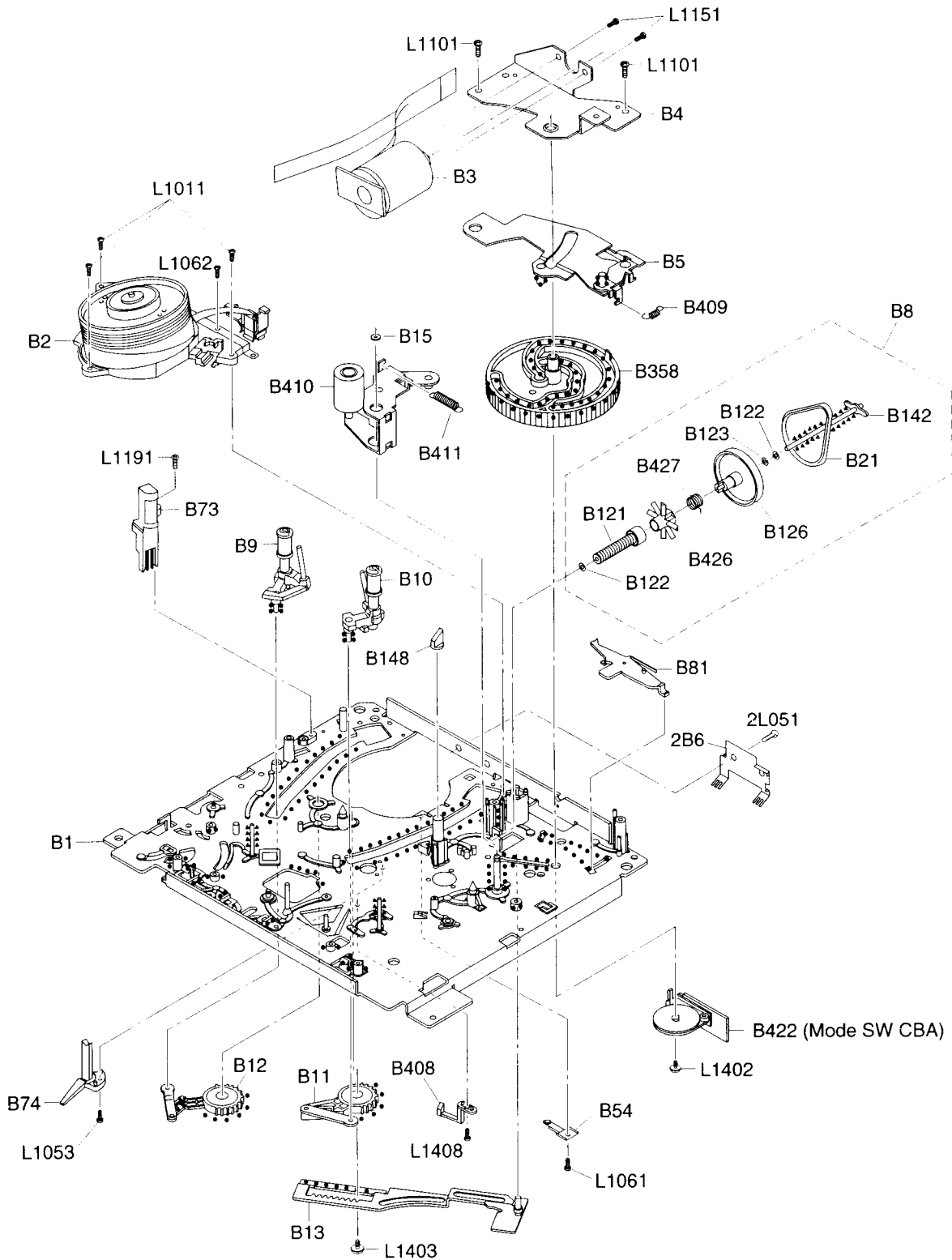


# Deck Mechanism View 1

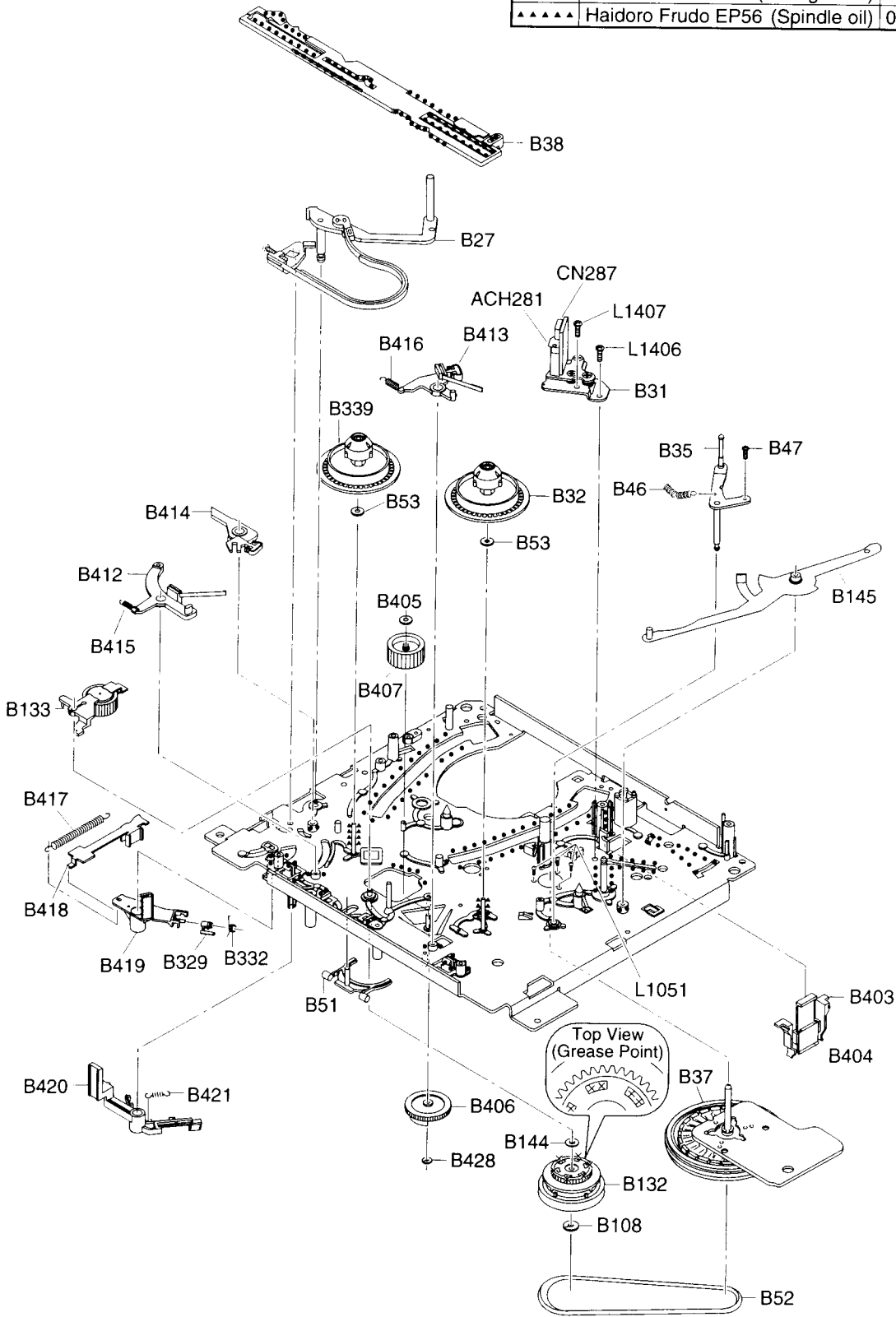
Mark	Description	Part No.
•••••	Floil G-374G (Blue grease)	0VZZ00109
▲▲▲▲▲	Haidoro Frudo EP56 (Spindle oil)	0VZZ00068



Some Ref. Numbers are not in sequence.

# Deck Mechanism View 2

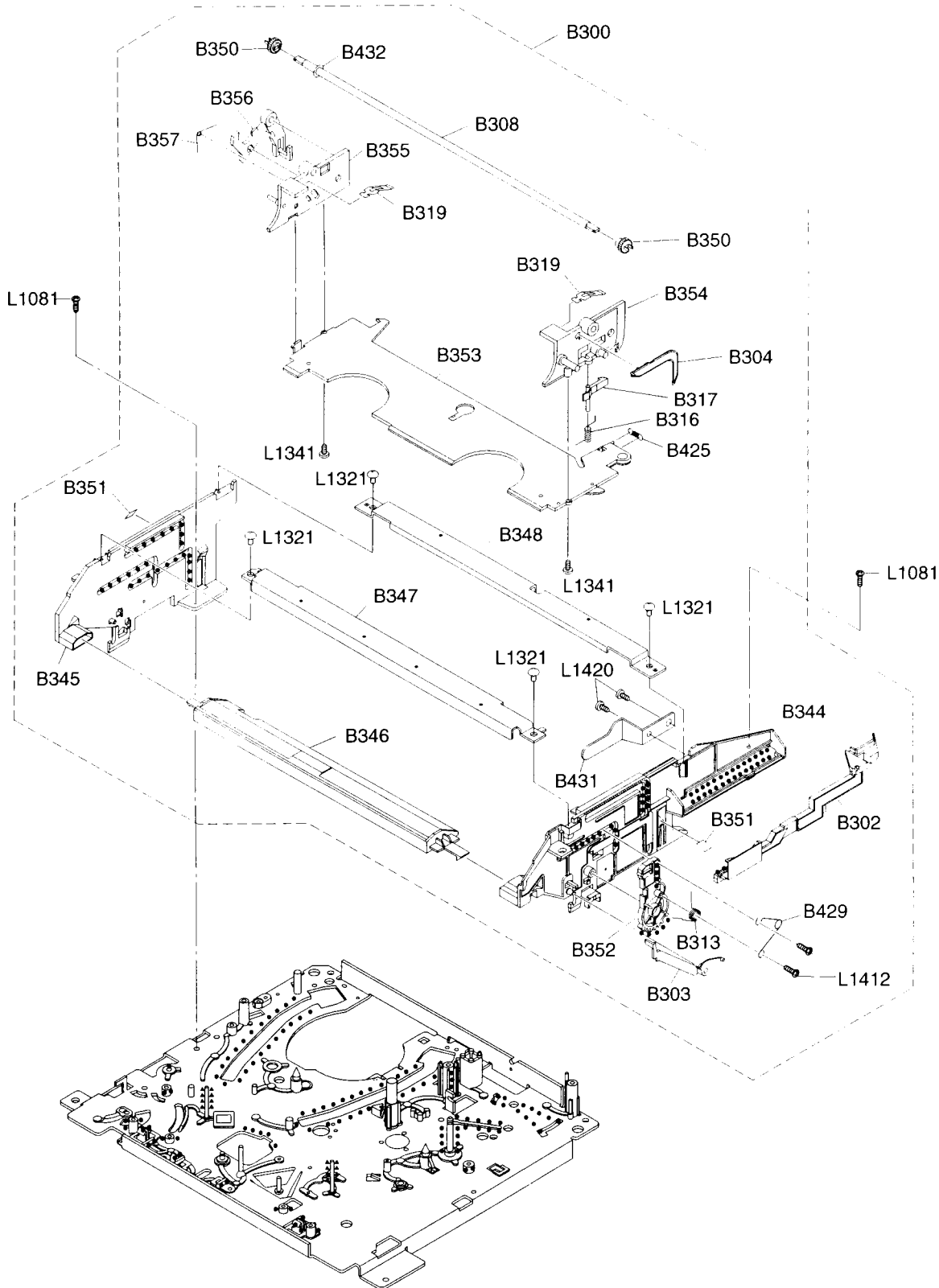
Mark	Description	Part No.
xxxxxx	Sankohl FG-84M (White grease)	0VZZ00062
.....	Floil G-374G (Blue grease)	0VZZ00109
.....	Haidoro Frudo EP56 (Spindle oil)	0VZZ00068



Some Ref. Numbers are not in sequence.

# Deck Mechanism View 3

Mark	Description	Part No.
•••••	Floil G-374G (Blue grease)	0VZZ00109
▲▲▲▲▲	Haidoro Frudo EP56 (Spindle oil)	0VZZ00068



Some Ref. Numbers are not in sequence.

# DECK PARTS LIST

**NOTE:** Parts that are not assigned part numbers (-----) are not normally available.

Ref.	Description	ID No.
ACH281	ACE HEAD(MK6) HVMXA0014A	DHV3A03AL007
B 1	CHASSIS ASSEMBLY MK6	OVSA08139
B 2	CYLINDER ASSEMBLY(MK6) NTSC 2HD	N6007CYL
B 3	LOADING MOTOR ASSEMBLY MK6	OVSA08112
B 4	MOTOR HOLDER MK6	OVM407676
B 5	CASSETTE DRIVE LEVER ASSEMBLY MK6	OVSA08219
B 8	PULLY ASSEMBLY	OVSA08132
B 9	MOVING GUIDE S PREPARATION MK6	OVSA08228
B 10	MOVING GUIDE T PREPARATION MK6	OVSA08229
B 11	LOADING ARM T ASSEMBLY MK6	OVSA08135
B 12	LOADING ARM S ASSEMBLY MK6	OVSA08134
B 13	LOADING LEVER ASSEMBLY MK6	OVSA08138
B 15	LUMIRROR WASHER 3.1X6X0.35	OVM403269
B 21	LOADING BELT MK6	OVM407712
B 27	TENSION LEVER ASSEMBLY MK6	OVSA08128
B 31	AC HEAD ASSEMBLY MK6	OVSA08124
B 32	REEL BASE ASSEMBLY MK6 T	OVSA08236
B 35	TAPE GUIDE ASSEMBLY MK6	OVSA08127
B 37	CAPSTAN MOTOR F2QTB30	MMDZB12SJ003
B 38	MODE LEVER MK6	OVM202000
B 46	TAPE GUIDE ARM SPRING MK6	OVM407704C
B 47	TAPE GUIDE ARM ADJUST SCREW	OVM403242
B 51	FF ARM MK6	OVM407669A
B 52	CAPSTAN BELT (2) MK6	OVM408223
B 53	P.S.W B	OVM402625
B 54	GROUND BRUSH	OVSA08140
B 73	FE HEAD(MK6) HVFHP0005A	DHVEC01AL003
B 74	PRISM MK6	OVM302723
B 81	M LEVER HOLDER MK6	OVM302711C
B 108	P.S.W F	OVM402629
B 121	WORM MK6	OVM407662
B 122	P.S.W C	OVM402626
B 123	P.S.W (WORM THRUST)	OVM403348
B 126	PULLEY MK6	OVM407661
B 132	CLUTCH ASSEMBLY MK6	OVSA08320
B 133	IDLER ASSEMBLY MK6	OVSA08136
B 142	SHAFT LOCK ASSEMBLY	OVSA04642
B 144	CLUTCH WASHER MK2	OVM404428
B 145	MAIN LEVER ASSEMBLY MK6	OVSA08117
B 148	TG CAP (2) MK4	OVM406389B
B 300	FL ASSEMBLY MK6	OVSA08101
B 302	RACK MK6	OVM302167B
B 303	FRONT DOOR OPENER MK6	OVM302730
B 304	DOOR OPENER MK6	OVM302729
B 308	SLIDER SHAFT MK6	OVM407693B
B 313	C. DRIVE GEAR SPRING MK6	OVM407698A
B 316	DOOR LOCK RELEASE ARM SPRING	OVM402508C
B 317	D OOR LOCK RELEASE ARM (3) MK3	OVM405034D
B 319	CASSETTE SPRING MK6	OVM407984
B 329	HOLDER KICK ARM JOG SHUTTLE MK3 or HOLDER KICK ARM(2) JOG SHUTTLE MK3	OVM301979D OVM302219B
B 332	HOLDER ARM SPRING MK6	OVM408062
B 339	REEL BASE ASSEMBLY MK6 S	OVSA08235

Ref.	Description	ID No.
B 344	CASSETTE GUIDE R MK6	OVM100640C
B 345	CASSETTE GUIDE L MK6	OVM100639B
B 346	FRONT GUIDE MK6	OVM302726B
B 347	GUIDE HOLDER F MK6	OVM302736
B 348	GUIDE HOLDER R MK6	OVM302737D
B 350	SLIDER GEAR MK6	OVM407673
B 351	MIRROR MK6	OVM407713
B 352	CASSETTE DRIVE GEAR MK6	OVM302728C
B 353	CASSETTE PLATE SUB ASSEMBLY MK6	OVSA08217
B 354	SLIDER R MK6	OVM202003E
B 355	SLIDER L MK6	OVM202002C
B 356	LOCK LEVER MK6	OVM302731C
B 357	LOCK LEVER L SPRING MK6	OVM407796
B 358	CAM MK6	OVM100638
B 403	ACH-9A MK6	OVM302725
B 404	ACH-9B MK6	OVM407672
B 405	P.S.W 1.7X3.2X0.5T	OVM403678
B 406	SENSOR GEAR MK6	OVM407668
B 407	M GEAR MK6	OVM407666A
B 408	PRISM T MK6	OVM407670B
B 409	EJECT SPRING MK6	OVM407700A
B 410	PINCH ROLLER ASSEMBLY MK6	OVSA08113
B 411	PINCH SPRING MK6	OVM407702
B 412	S BRAKE LEVER ASSEMBLY MK6	OVSA08118
B 413	M BRAKE T ASSEMBLY MK6	OVSA08119
B 414	M BRAKE S ASSEMBLY MK6	OVSA08120
B 415	S BRAKE LEVER SPRING MK6	OVM407699B
B 416	M BRAKE T SPRING MK6	OVM407705B
B 417	T LEVER SPRING MK6	OVM407706
B 418	TENSION PLATE MK6	OVM407809B
B 419	BT ARM MK6	OVM302721C
B 420	REC ARM MK6	OVM302720C
B 421	REC ARM SPRING MK6	OVM407708
B 425	LOCK LEVER SPRING MK6	OVM407755
B 426	KICK PULLEY MK6	OVM407663A
B 427	KICK SPRING MK6	OVM407701
B 428	P.S.W 1.7X3.2X0.5T	OVM403678
B 429	EJECT SPRING B MK6	OVM407961
B 431	LDG PLATE MK6	OVM408077
B 432	SLIDER WASHER MK6	OVM408078
B 440	CS RING (D=3)	WTK3083
2B 6	DECK GROUNDING PLATE	OVM407975
2L051	SCREW, S-TIGHT M3X5 BIND HEAD+	GBMS3050
L 1011	SCREW, C-TIGHT M3X9 PAN HEAD+	GPMS3090
L 1051	SCREW, S-TIGHT M2.6X6 PAN HEAD+	GPMS9060
L 1053	SCREW, S-TIGHT M2.6X6 PAN HEAD+	GPMS9060
L 1061	SCREW:SPRING PLATE MK6	OVM407914
L 1062	SCREW, S-TIGHT M2.6X8 PAN HEAD+	GPMS9080
L 1081	SCREW, S-TIGHT 3X6 BIND HEAD+	GBMS3060
L 1101	SCREW, P-TIGHT 3X10 BIND HEAD	GBMP3100
L 1151	SCREW, SEMS M3X4 PAN HEAD +	CPM33040
L 1191	SCREW, P-TIGHT M2.6X12	GCMP9120
L 1321	SCREW, P-TIGHT 3X8 BIND HEAD+	GBMP3080