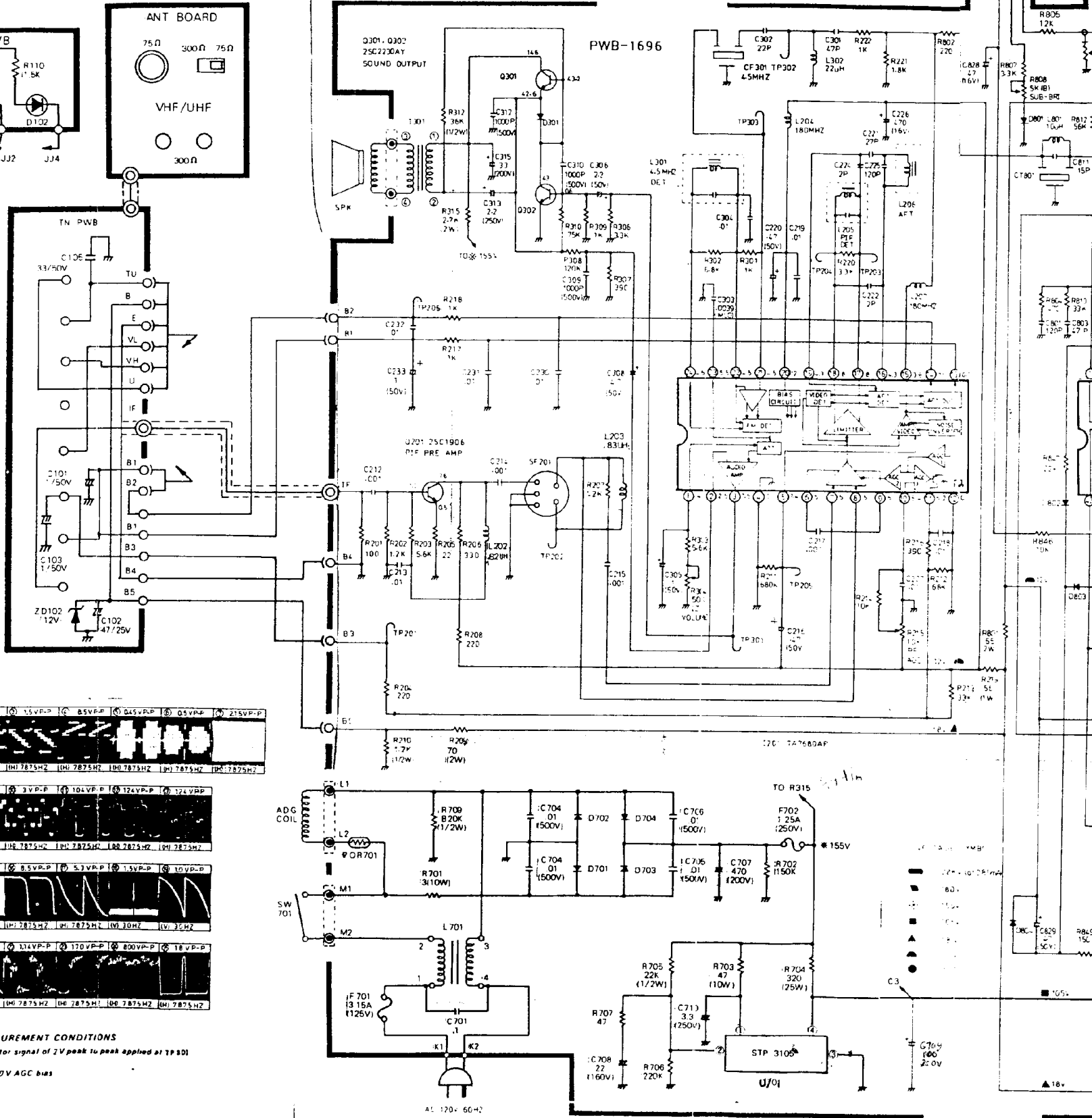


VOLTAGE MEASUREMENT CONDITIONS

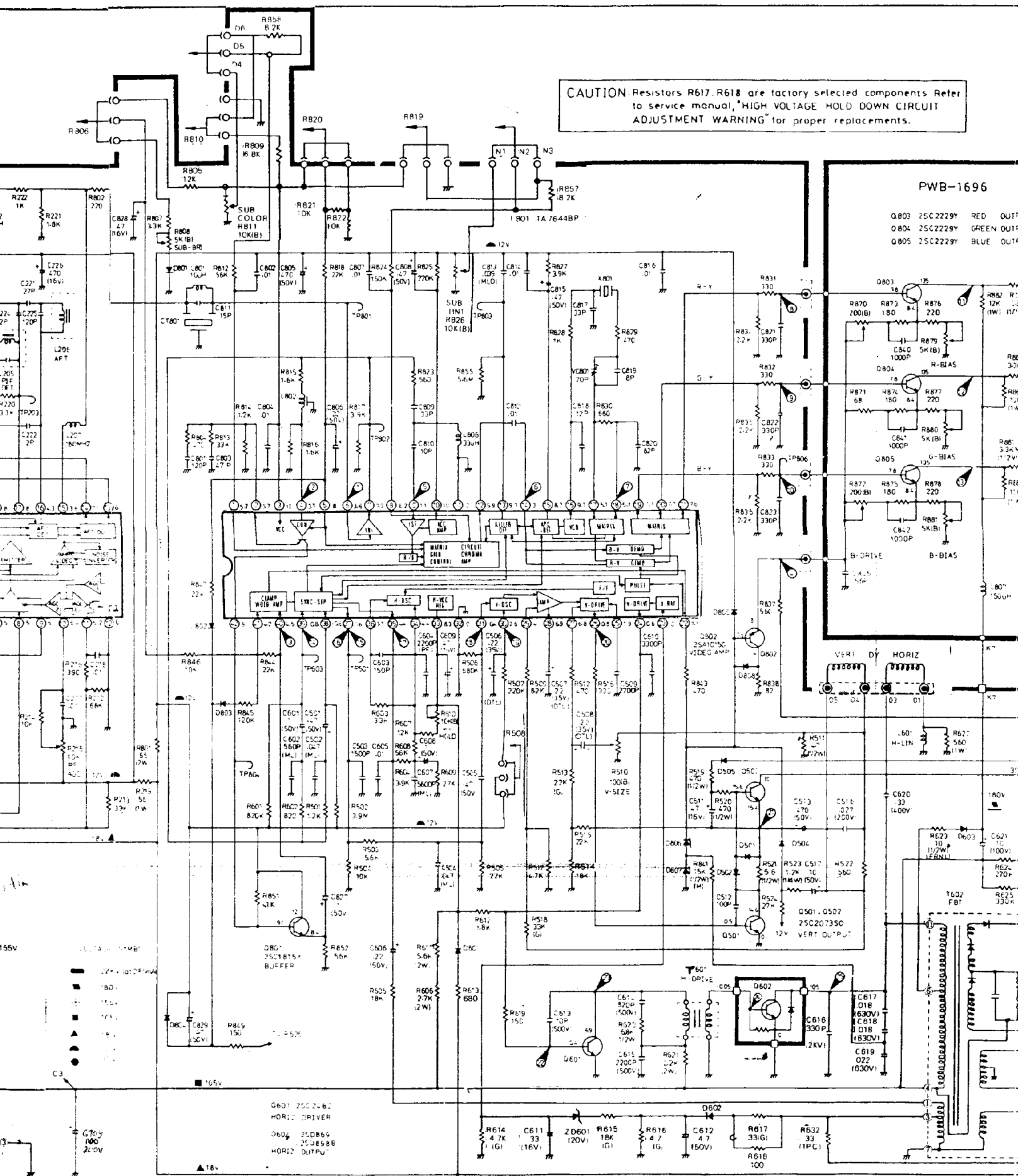
- 1 DC voltages are measured with VTVM placed between points indicated and chassis ground; line voltage set at 120V AC and all controls set for normal picture unless otherwise indicated; READ/WRITE SW switch to READ position and TV sets to ch2
- 2 Voltages without parenthesis measured with 1000V B & W or Color signal

CRITICAL COMPONENT WARNING
 THESE CRITICAL COMPONENTS THAT ARE SHADED ON THE SCHEMATIC DIAGRAM AND ASTERISKED ON THE PARTS LIST ARE USED TO PREVENT SHOCK, FIRE HAZARD AND EXCESSIVE X-RADIATION. ALL THESE SPECIAL COMPONENTS MUST BE REPLACED ONLY WITH THE SAME TYPE IDENTICAL TO THOSE IN THE SCHEMATIC DIAGRAM AND PARTS LIST



MEASUREMENT CONDITIONS
 For signal of 2V peak to peak applied at TP 801
 120V AGC bias

CAUTION Resistors R617, R618 are factory selected components. Refer to service manual, "HIGH VOLTAGE HOLD DOWN CIRCUIT ADJUSTMENT WARNING" for proper replacements.



PWB-1696

- Q803 25C2229Y RED OUT
- Q804 25C2229Y GREEN OUT
- Q805 25C2229Y BLUE OUT

- D601 25C2482
- HORIZ DRIVER
- D602 25D865
- 25D858B
- HORIZ OUTPUT

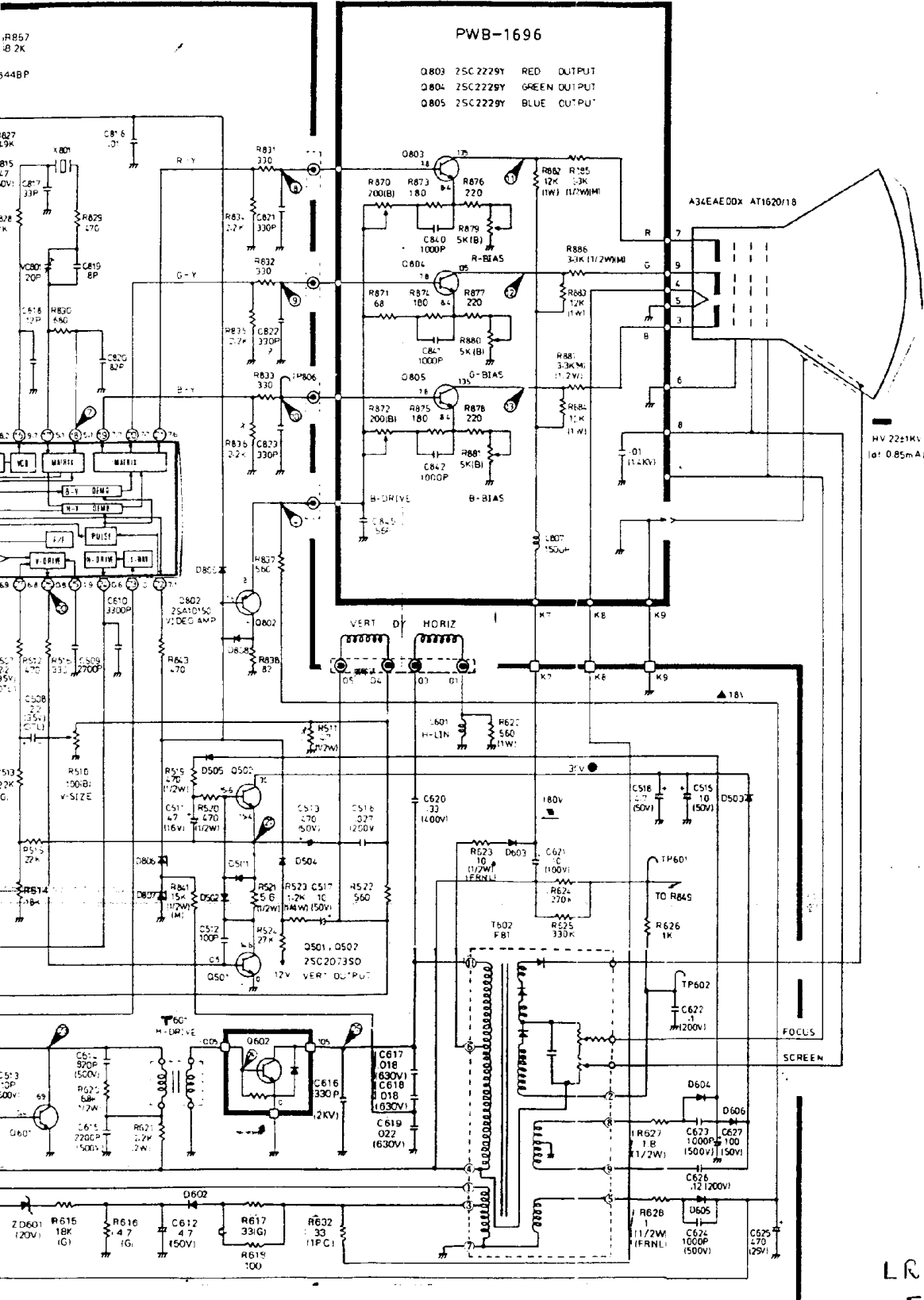
- R614 4.7K (1G)
- C611 33 (16V)
- ZD601 18K (20V)
- R615 18K (1G)
- R616 4.7 (1G)
- C612 4.7 (150V)
- R617 33G
- R618 33 (1P/C)
- R619 100

- C617 018 (630V)
- C618 018 (630V)
- C619 022 (630V)

NOTE

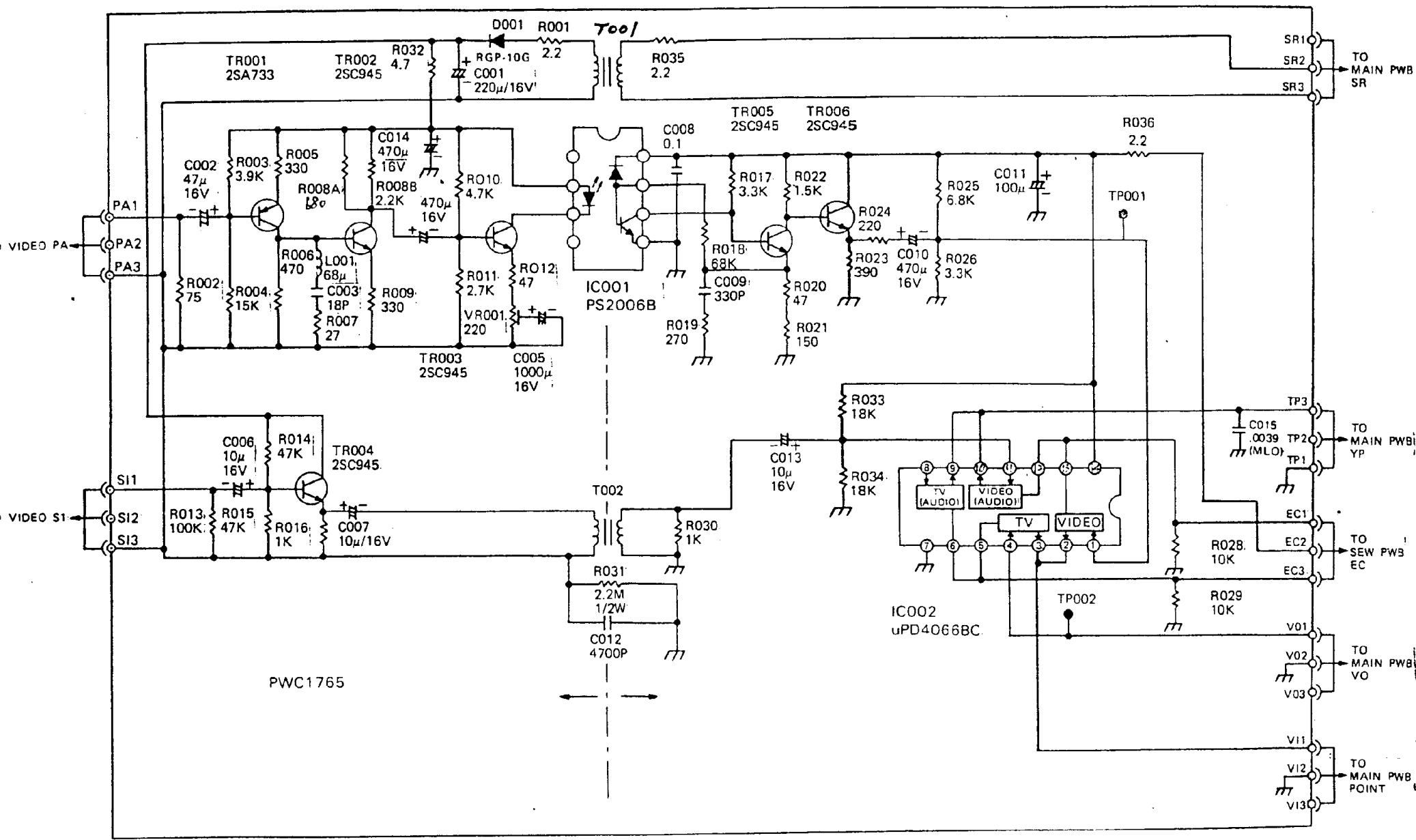
1. The unit of resistance "ohm" is omitted 1K 1000 ohms M 1 Megohm
2. All resistors are 1/4 watt, unless otherwise noted
3. All capacitors MFD, unless otherwise noted P-MMFD.
4. This is a standard schematic diagram, some sets may be modified slightly for better performance.

CAUTION: Resistors R617, R618 are factory selected components Refer to service manual, "HIGH VOLTAGE HOLD DOWN CIRCUIT ADJUSTMENT WARNING" for proper replacements.



LR57506-FIG

((KEEP THIS FOR YOUR SERVICEMAN))
77800205037



PWC1765

LL57506-2
FIG 2