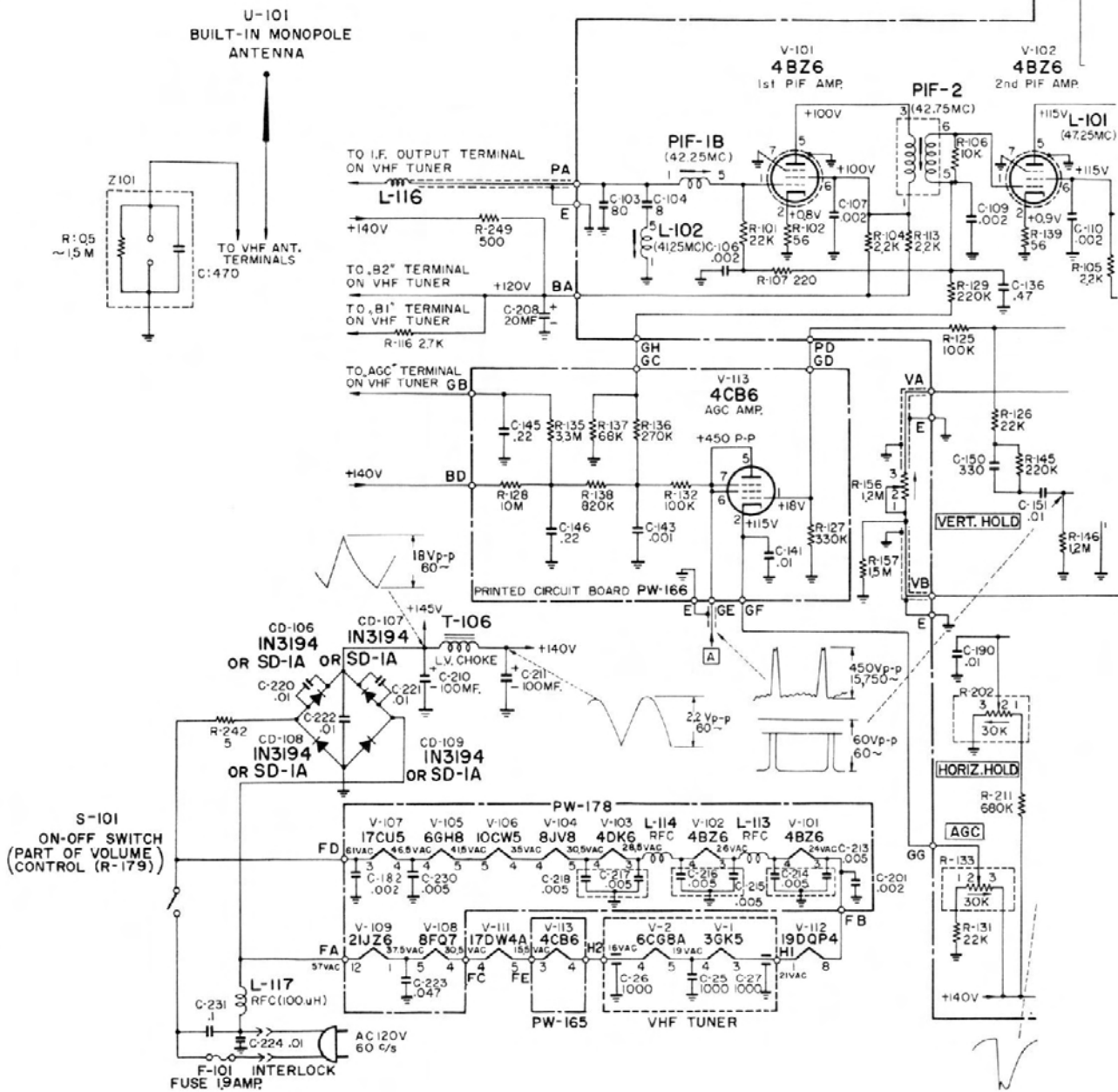


NOTES:

ALL RESISTANCE VALUES IN OHMS
K=1000 OHMS, M=1000000 OHMS

ALL CAPACITANCE VALUES LESS THAN 1.0 IN MF.
AND ABOVE 1.0 IN MMF. UNLESS OTHERWISE NOTED.

(X) VALUE OF R-201 MAY VARY 39K OHM TO 56K OHM
DEPENDING FACTORY ADJUSTMENT.



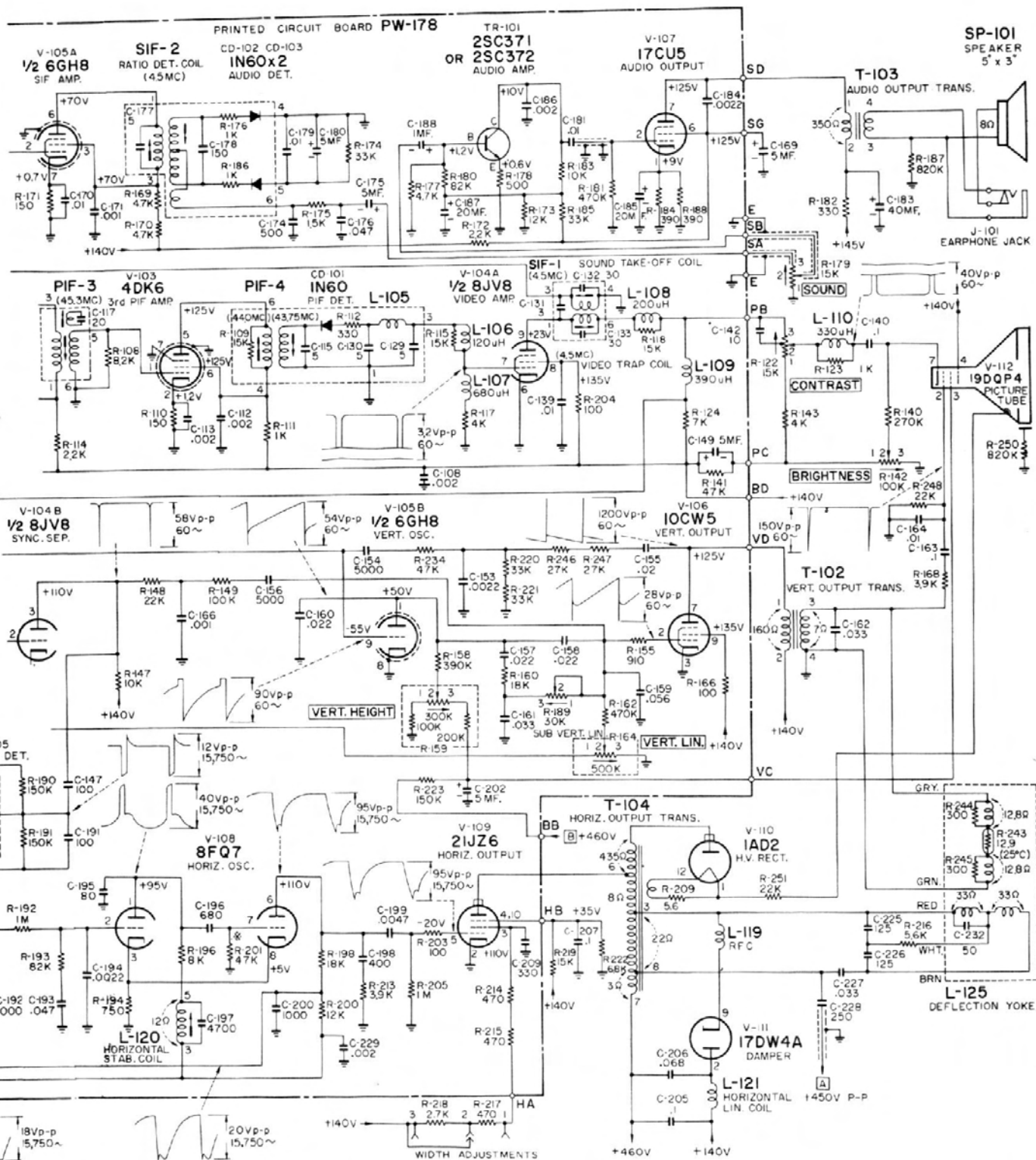


Fig. 5-68. Penncrest Model 2374-87 TV (made by Toshiba America Inc.). (Courtesy J. C. Penney Co.)