

- (NOTES)
- 1 RESISTANCES ARE SHOWN IN OHMS K=1000 M=1,000,000
  - 2 CAPACITANCE VALUES LESS THAN ( ) ARE IN MFD AND MORE THAN ( ) IN MMFD UNLESS OTHERWISE NOTED
  - 3 COIL RESISTANCE VALUES LESS THAN ( ) OHM ARE NOT SHOWN
  - 4 NUMERALS AT CONTROLS TRANSFORMERS INDICATE NUMBER OF THOSE TERMINALS
  - 5 D C VOLTAGES ARE READ WITH VACUUM TUBE VOLT METER AND ALL CONTROLS SET FOR NORMAL PICTURE
  - 6 ALL WAVEFORMS ARE PEAK TO PEAK VOLTAGE WHEN VIDEO INPUT IS SET TO 4.5Vpp AND CONTRAST BRIGHTNESS CONTROLS ARE SET FOR MAXIMUM
  - 7 NUMERALS BESIDE SUPPLY VOLTAGES INDICATE NUMBER OF THOSE SUPPLY POINTS ON SCHEMATIC
  - 8 MARKS ( ) INDICATE JUNCTION POINT OR TERMINAL OF THE PRINTED CIRCUIT BOARD TUNER & FB1

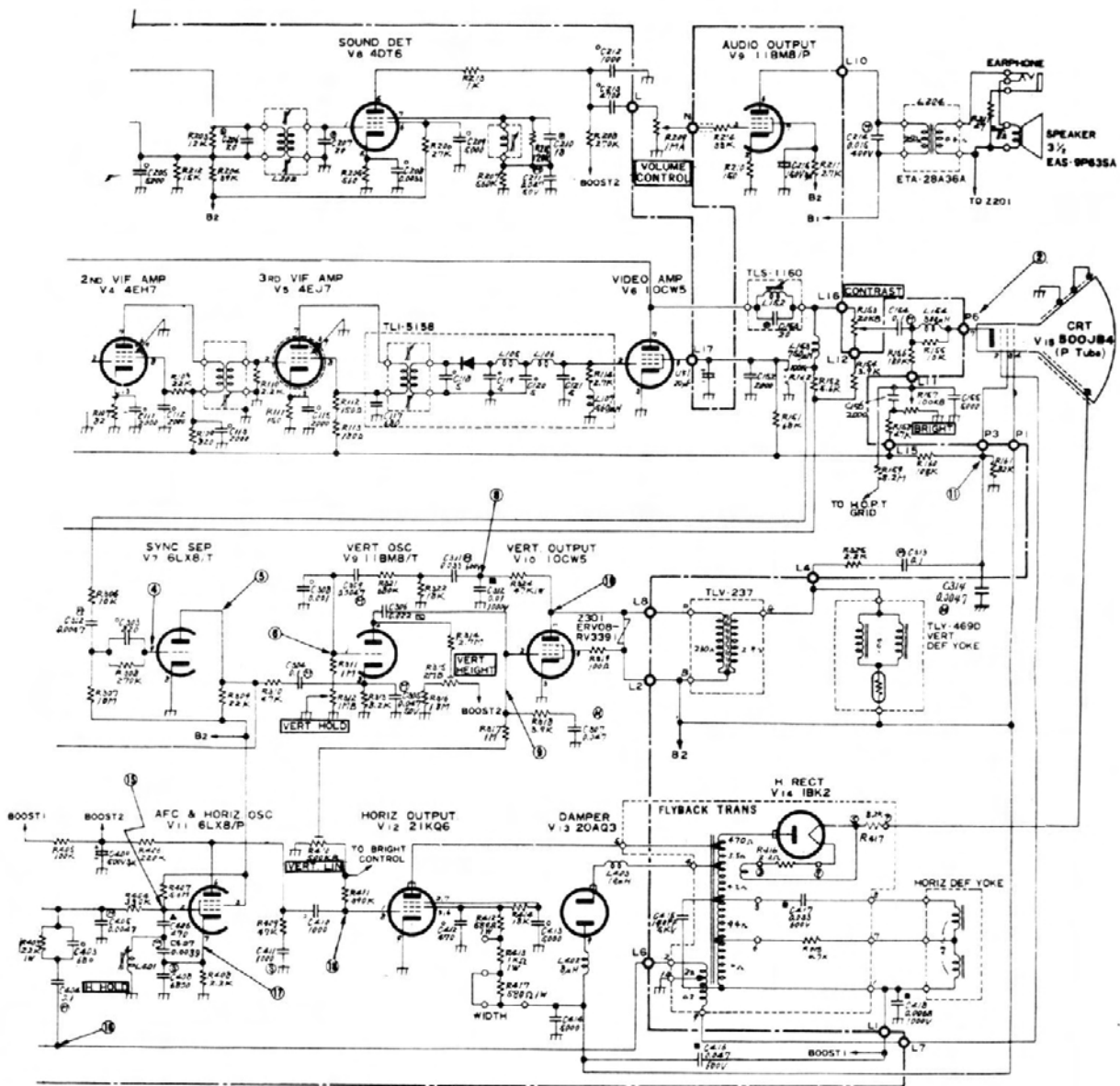


Fig. 5-70. Penncrest Model 2363-43 TV (made by Matsushita Electric Corp. of America). (Courtesy J. C. Penney Co.)