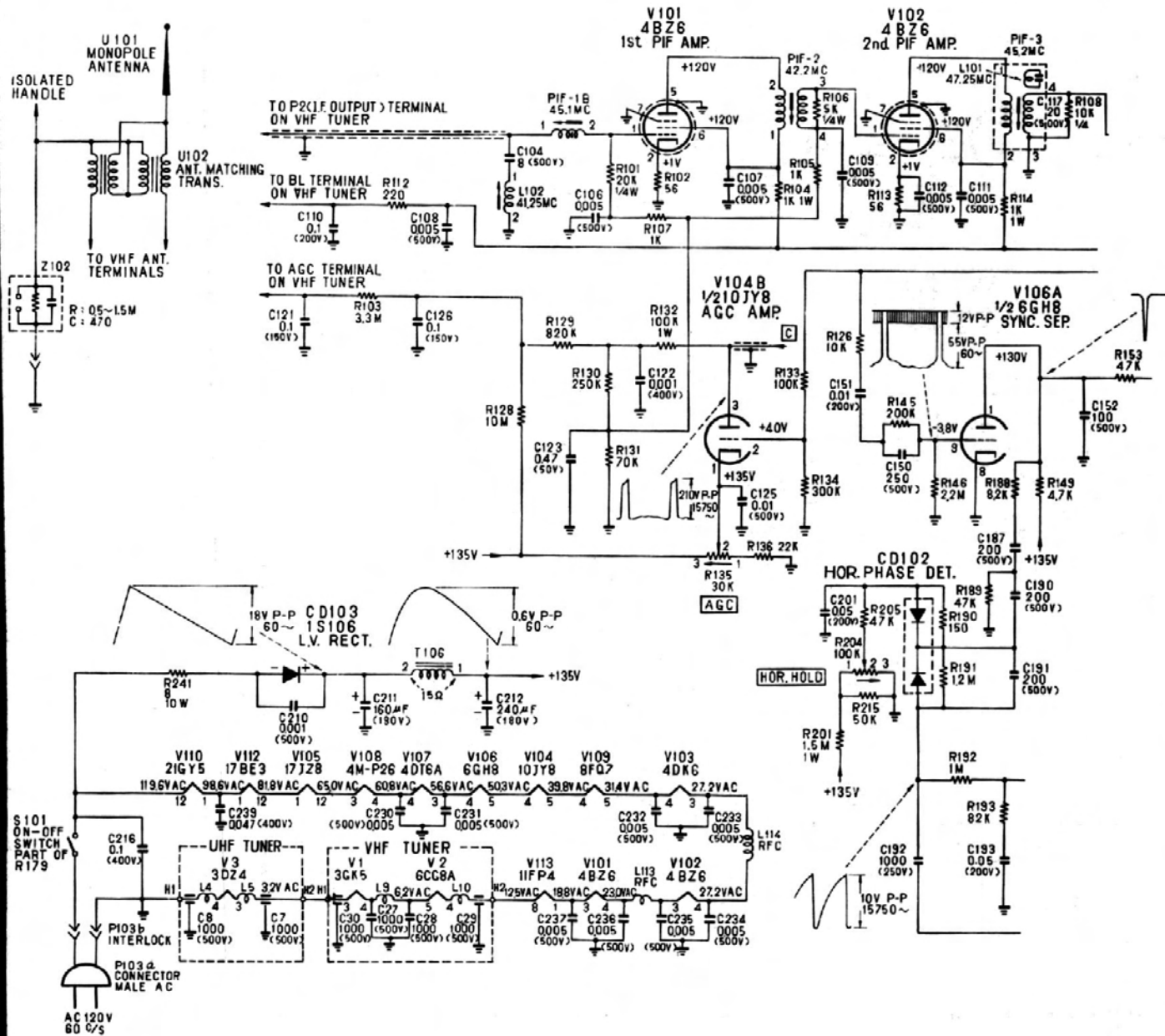


NOTES:

ALL RESISTANCE VALUES IN OHMS AND 1/2 WATT RATING UNLESS OTHERWISE SPECIFIED.

K = 1000 OHMS, M = MEG. OHMS

ALL CAPACITANCE VALUES LESS THAN 1.0 IN MF. AND ABOVE 1.0 IN MMF UNLESS OTHERWISE NOTED.



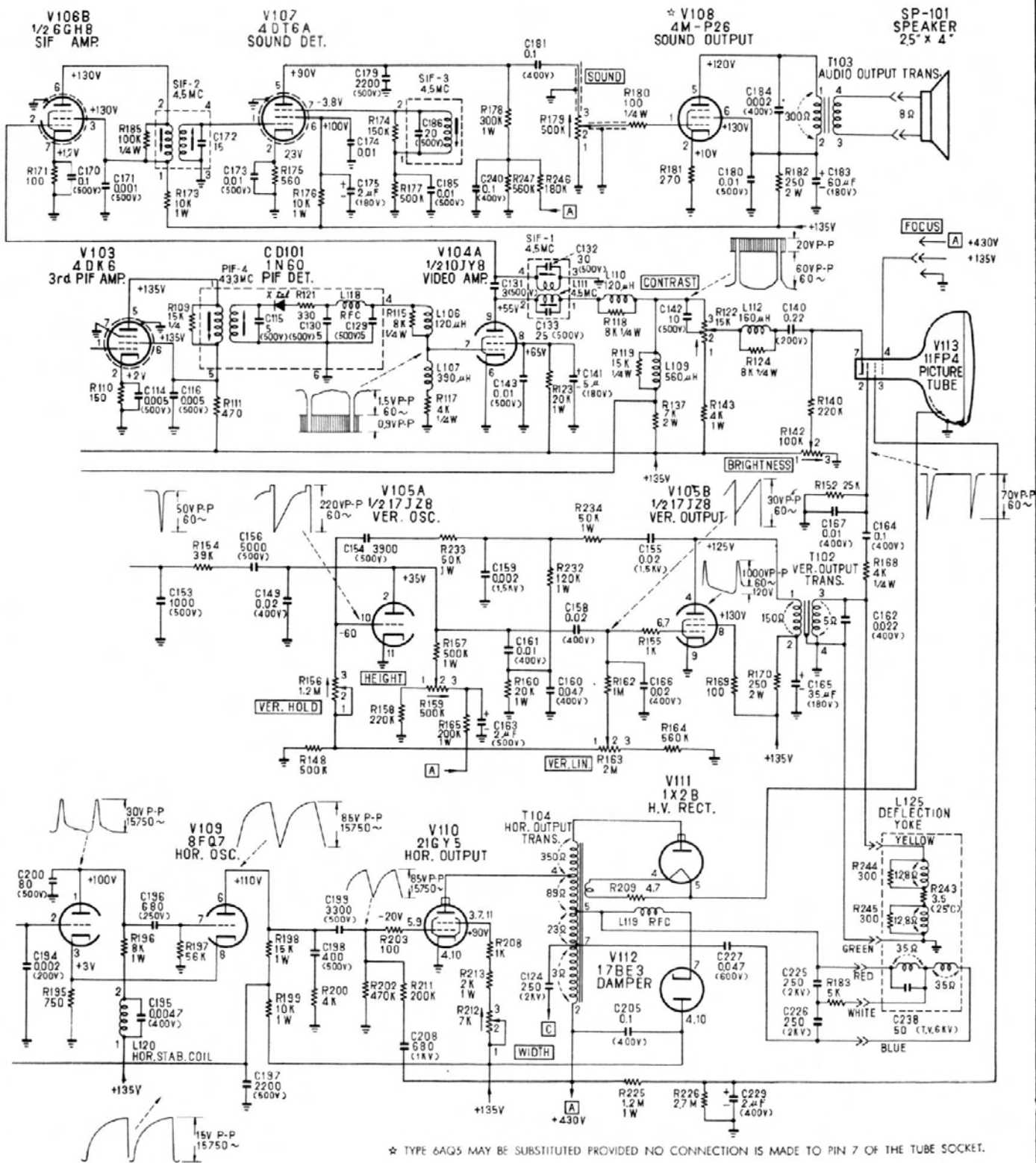


Fig. 5-66. Penncrest Model 2311-82 portable TV (made by Toshiba America Inc.). (Courtesy J. C. Penney Co.)