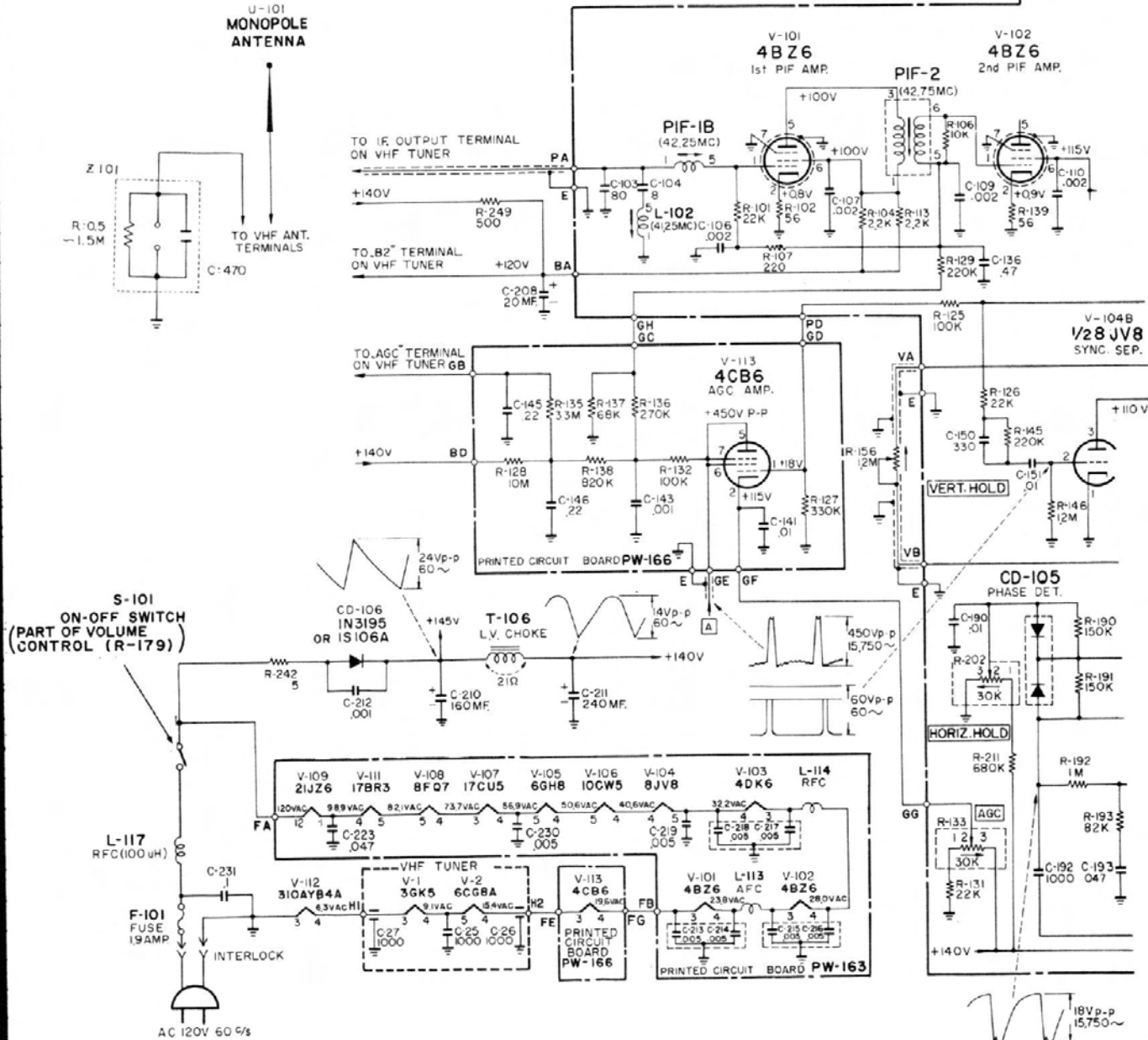


NOTES:

ALL RESISTANCE VALUES IN OHMS
K=1000 OHMS, M=1000000 OHMS

ALL CAPACITANCE VALUES LESS THAN 10 IN MF.
AND ABOVE 10 IN MMF. UNLESS OTHERWISE NOTED.

(*) VALUE OF R-201 MAY VARY 47K OHM TO 68K OHM
DEPENDING FACTORY ADJUSTMENT.



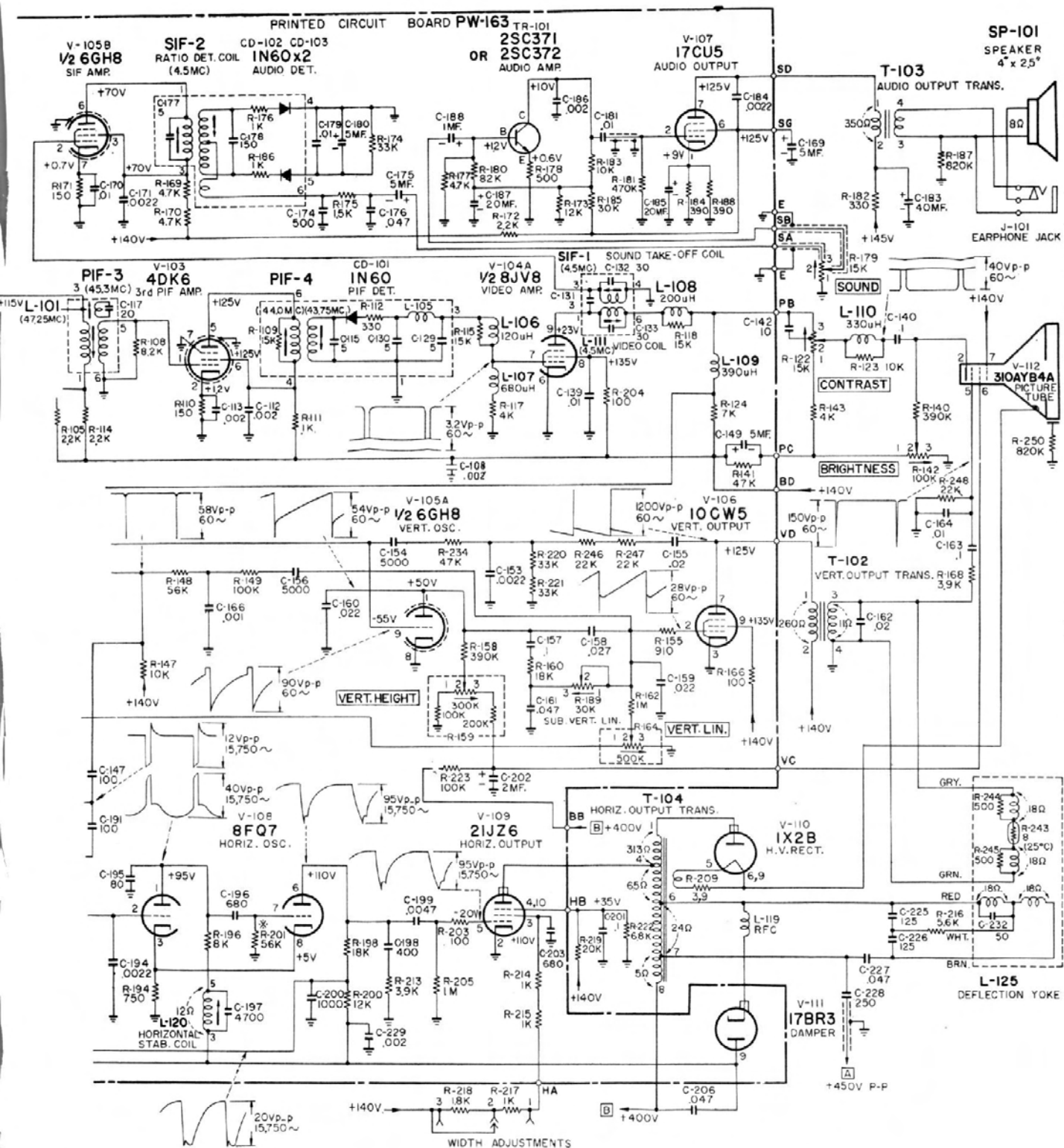


Fig. 5-67. Penncrest Model 2310-44 TV (made by Toshiba America Inc.). (Courtesy J. C. Penney Co.)