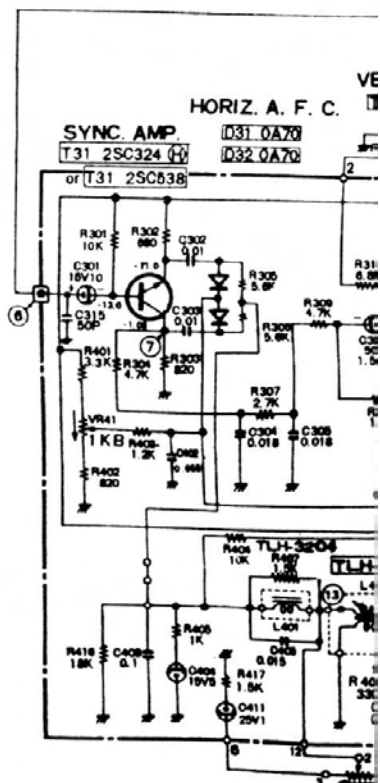
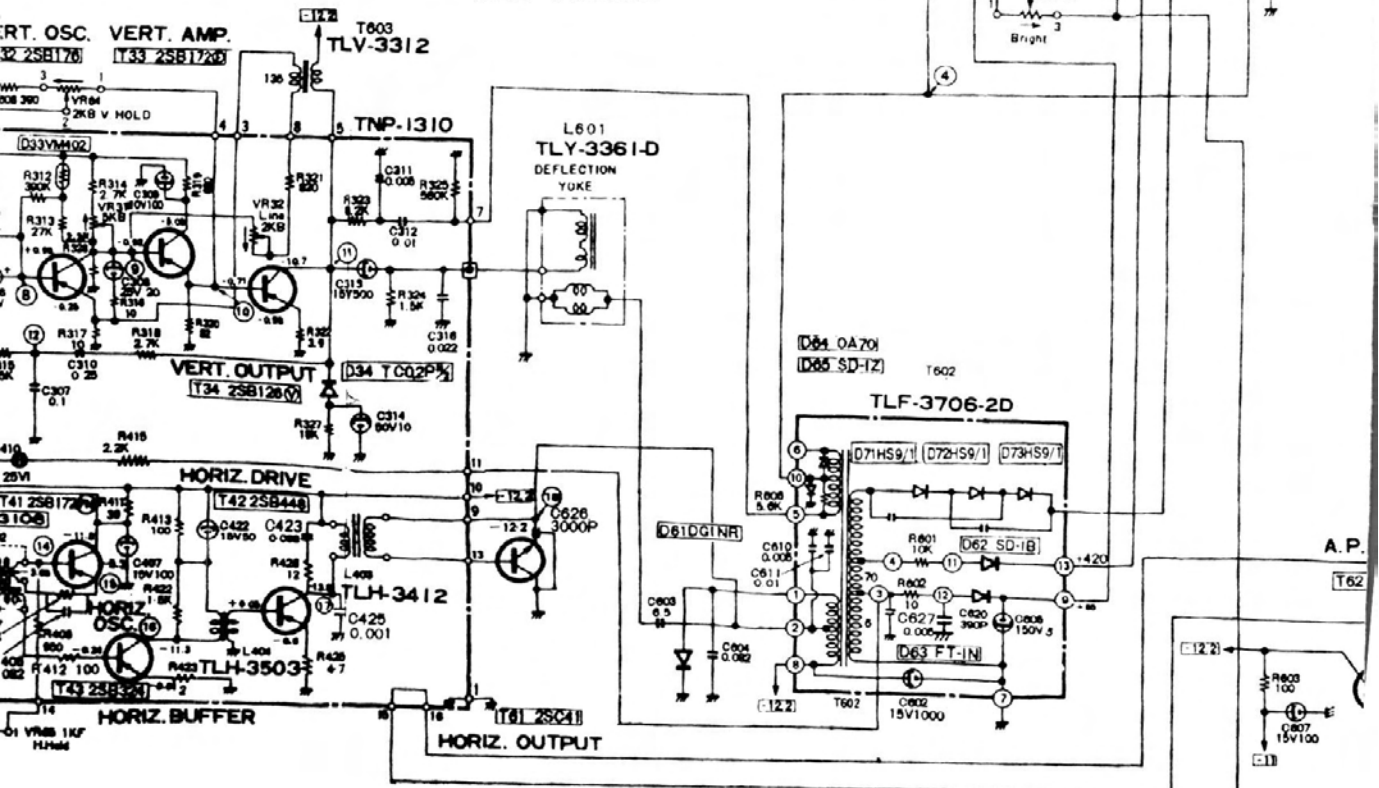
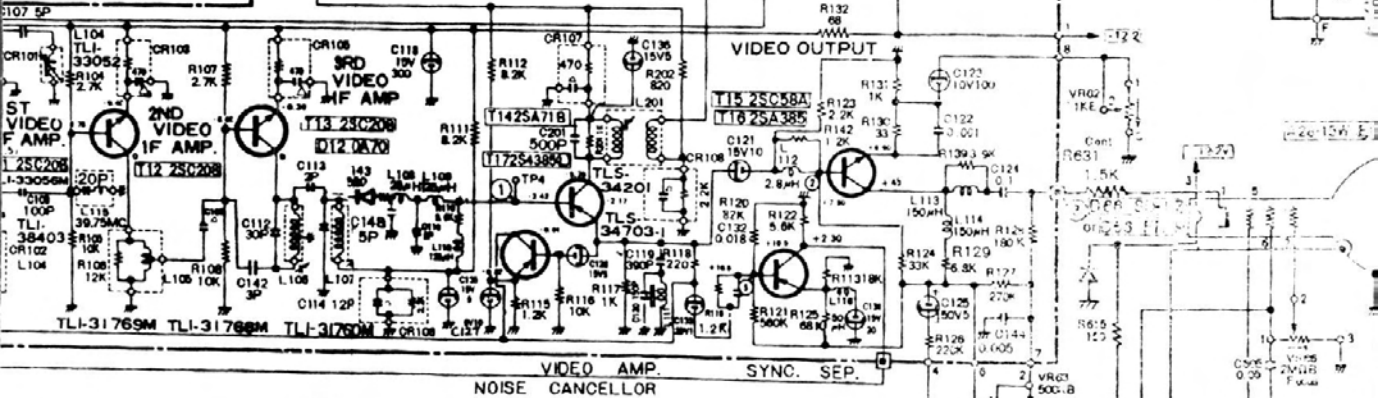
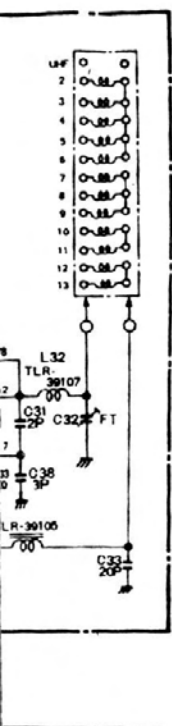
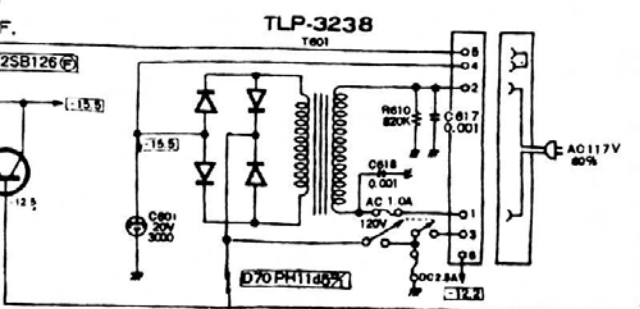
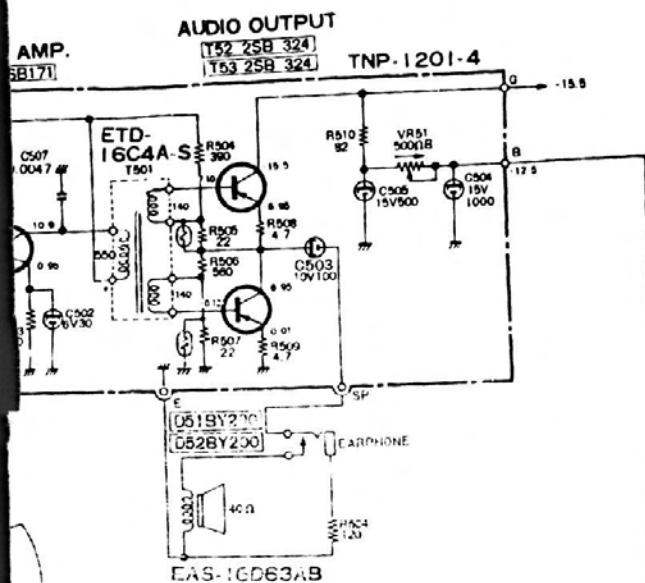


1. Resistances are shown in ohms: k=1000, M=1,000,000.
2. Capacitances are shown in MFD otherwise noted: p=MMFD.
3. Capacitors marked "△" are 10.000 MMFD.
4. Coil resistance values less than 1 ohm are not shown.
5. D.C. voltages are read with vacuum tube meter and all controls set for normal picture.
6. D.C. voltages in () are values for no signal input.
7. All waveforms are peak to peak voltages when video input ② is set to 0.8Vpp and contrast, brightness controls are set for maximum.
8. Marks "⊕" indicate junction point for terminal of the printed circuit boards.







Panel E. Panasonic Model TR-110 TV. (Courtesy Matsushita Electric Corp. of America)