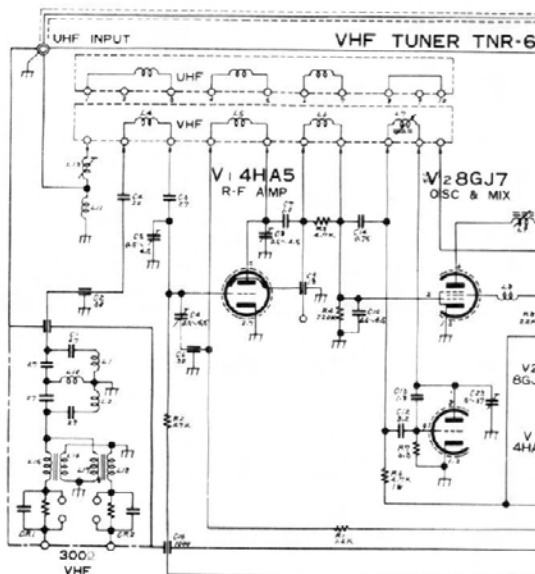
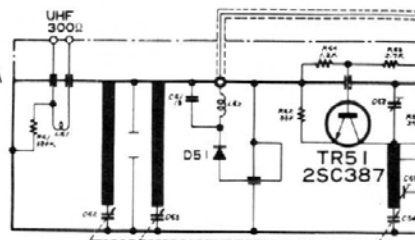
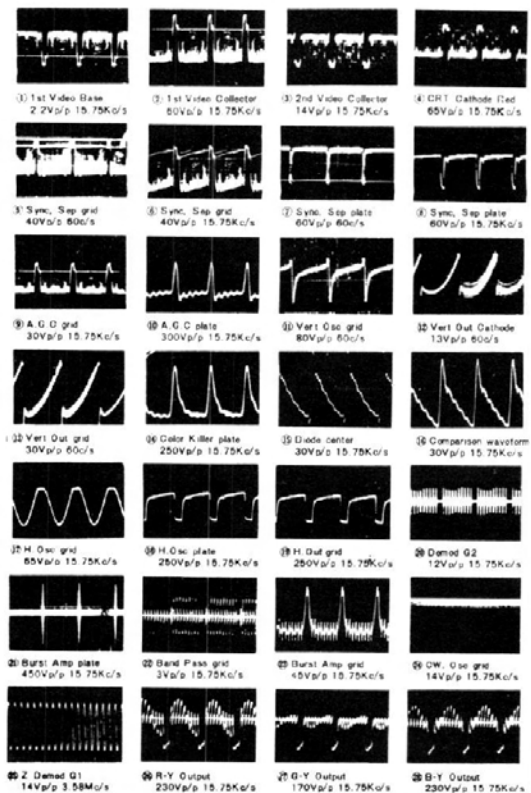


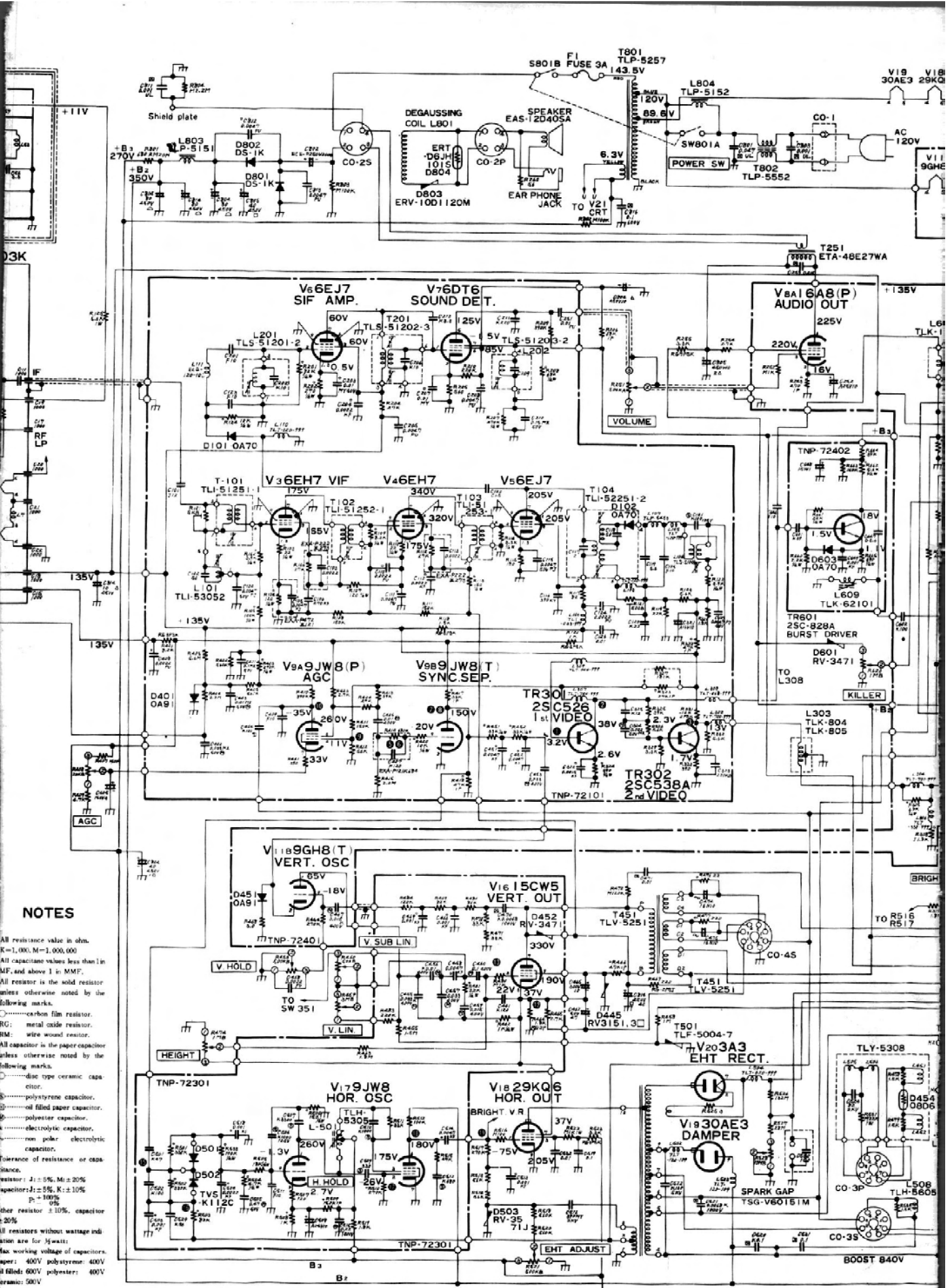
UHF
TUNER
TNT-9606A



WAVEFORM PATTERNS

These waveforms were taken with the receiver AGC control adjusted for peak-to-peak output of 70 Volts at the collector of Tr301. All monochrome voltages were taken with average signal and all chroma voltages were taken with a color bar generator connected to antenna input terminals. Chroma peak-to-peak voltages were taken with the color control set for tune (approximately), its control range, tint control set for proper color bars (approximately) mid-range and all other controls set for normal viewing.





NOTES

- All resistance value in ohm.
- K=1,000, M=1,000,000
- All capacitance values less than 1 μF, and above 1 μF in MMF.
- All resistor is the solid resistor unless otherwise noted by the following marks.
- carbon film resistor.
- RG metal oxide resistor.
- RM wire wound resistor.
- All capacitor is the paper capacitor unless otherwise noted by the following marks.
- disc type ceramic capacitor.
- polystyrene capacitor.
- oil filled paper capacitor.
- polyester capacitor.
- electrolytic capacitor.
- non polar electrolytic capacitor.
- Tolerance of resistance or capacitance.
- Resistor: J=5%, M=20%
- Capacitor: J=5%, K=10%
- P=100%
- Other resistor ±10%, capacitor ±20%
- All resistors without wattage indication are for 1/2 watt.
- Max. working voltage of capacitors.
- Paper: 400V, polystyrene: 400V
- Oil filled: 600V, polyester: 400V
- Ceramic: 500V

