

- (NOTES)
1. RESISTANCES ARE SHOWN IN OHMS K=1000. M=1,000,000.
 2. CAPACITANCE VALUES LESS THAN (I) ARE IN MFD AND MORE THAN (II) IN MMFD UNLESS OTHERWISE NOTED.
 3. COIL RESISTANCE VALUES LESS THAN (III) OHM ARE NOT SHOWN.
 4. NUMERALS AT CONTROLS TRANSFORMERS INDICATE NUMBER OF THOSE TERMINALS.
 5. DC VOLTAGES ARE READ WITH VACUUM TUBE VOLT METER AND ALL CONTROLS SET FOR NORMAL PICTURE.
 6. ALL WAVEFORMS ARE PEAK TO PEAK VOLTAGE WHEN VIDEO INPUT IS SET TO 20VPP AND CONTRAST BRIGHTNESS CONTROLS ARE SET FOR MAXIMUM.
 7. NUMERALS BESIDE SUPPLY VOLTAGES INDICATE NUMBER OF THOSE SUPPLY POINTS ON SCHEMATIC.
 8. MARKS "J" INDICATE JUNCTION POINT OR TERMINAL OF THE PRINTED CIRCUIT BOARD & TUNER.

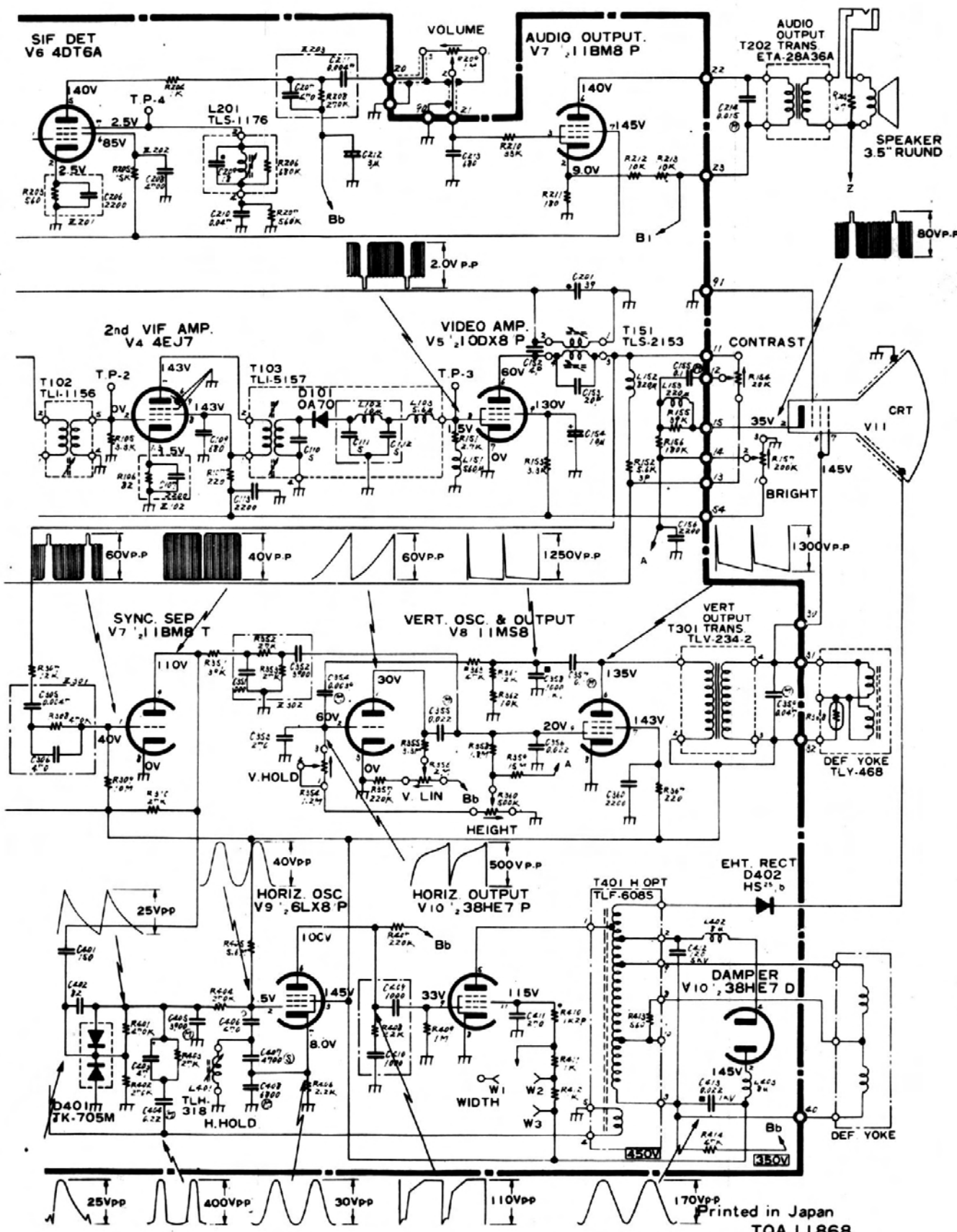


Fig. 5-61. Panasonic Model AN-72, 72C, 77C TV. (Courtesy Matsushita Electric Corp. of America)