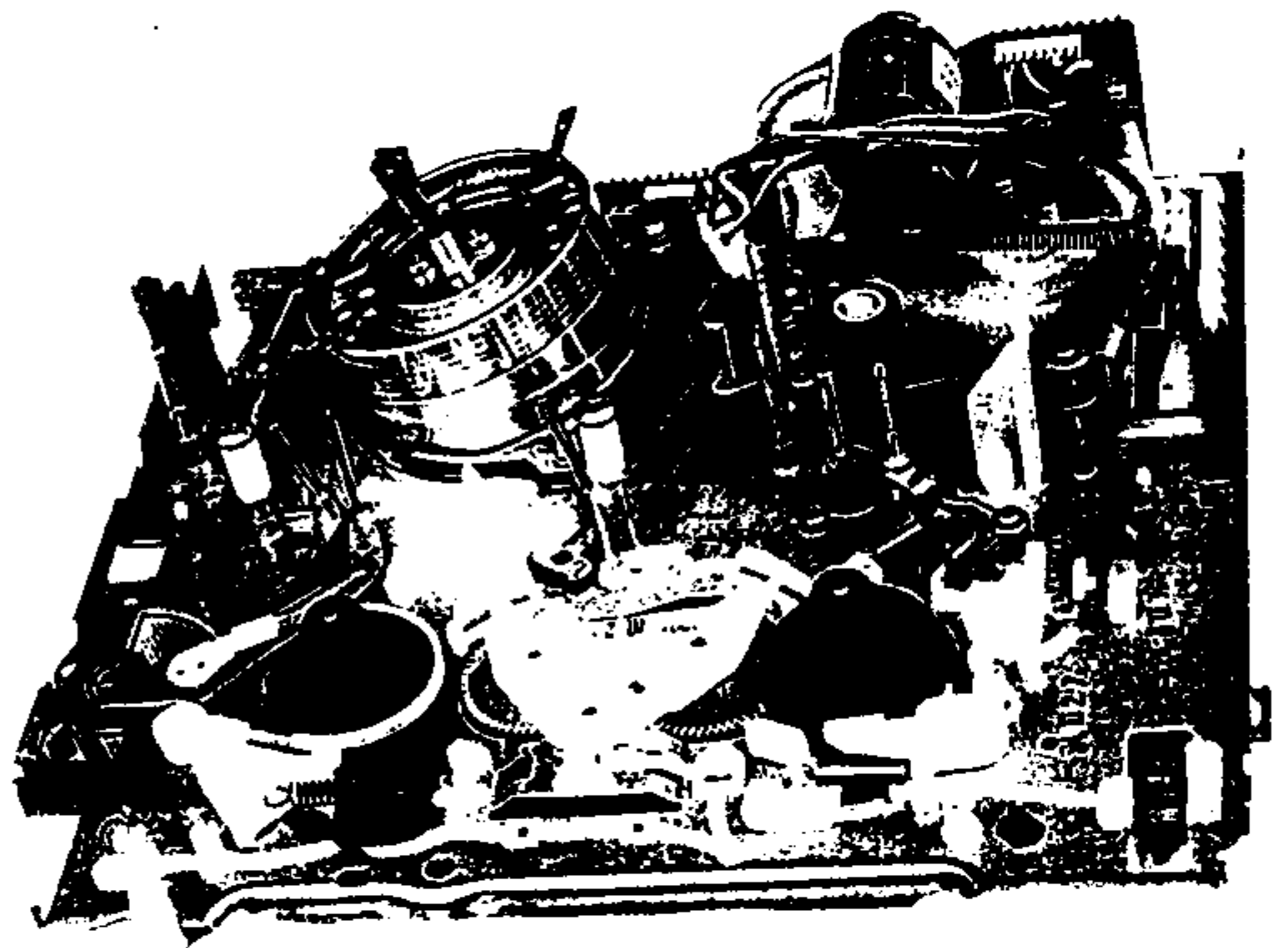


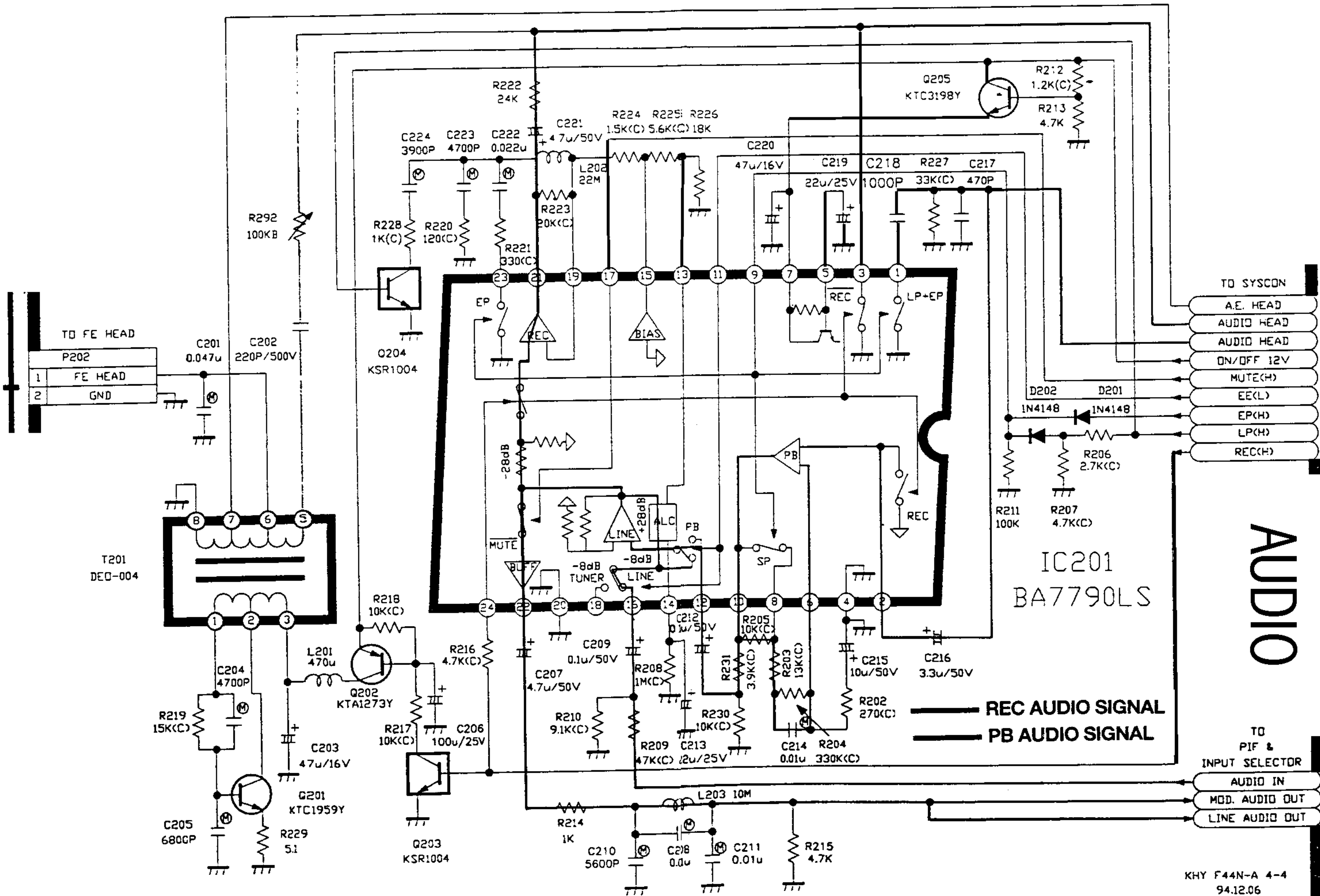
MAGNASCANIC

TECHNICAL SERVICE GUIDE

**VCR MECHANISM UNIT
(FM-MECHA)**

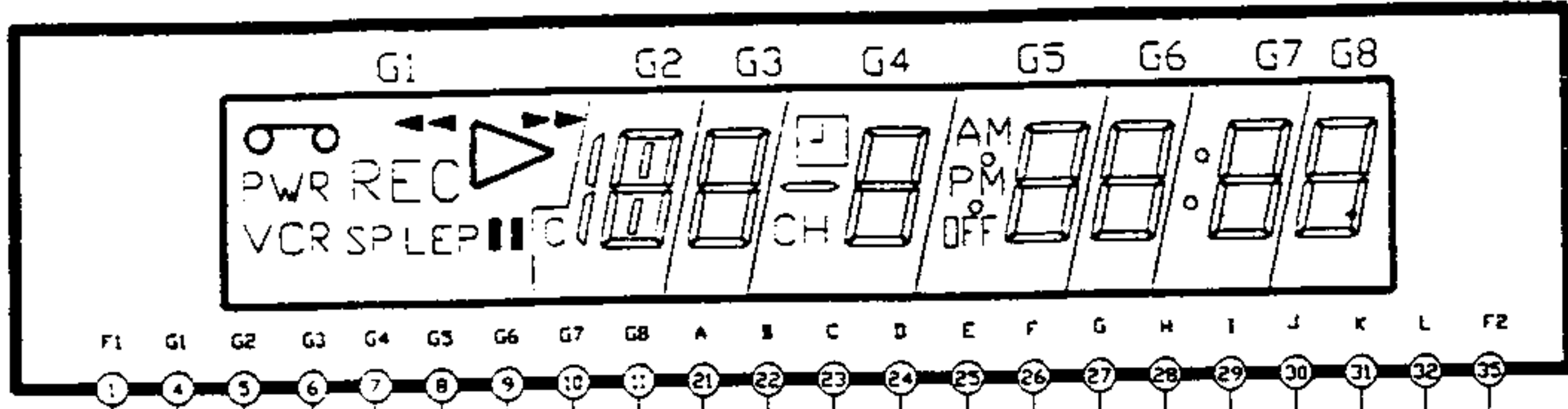
MVC 646 / 625



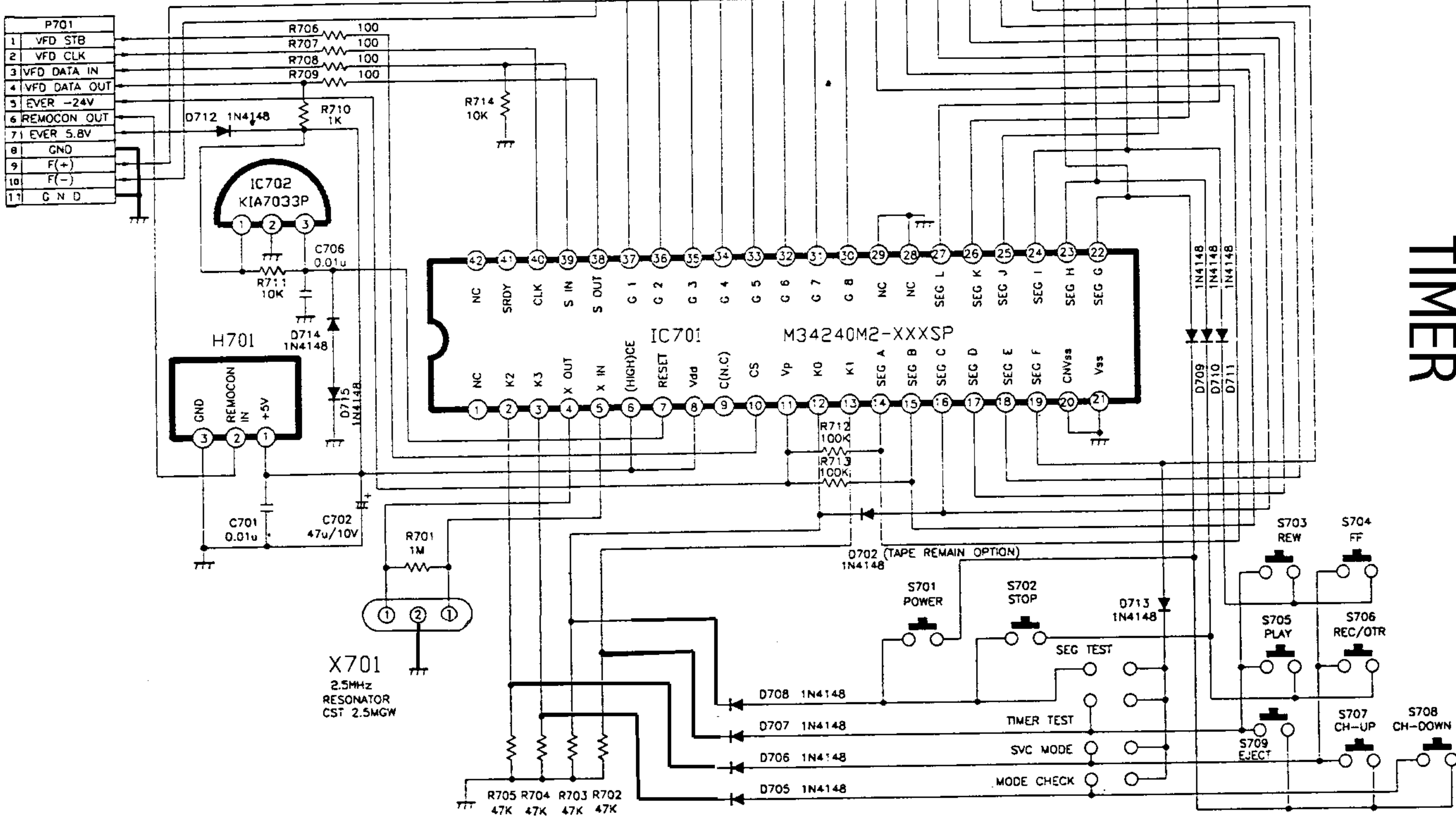


AUDIO

G701
8MT-88GK



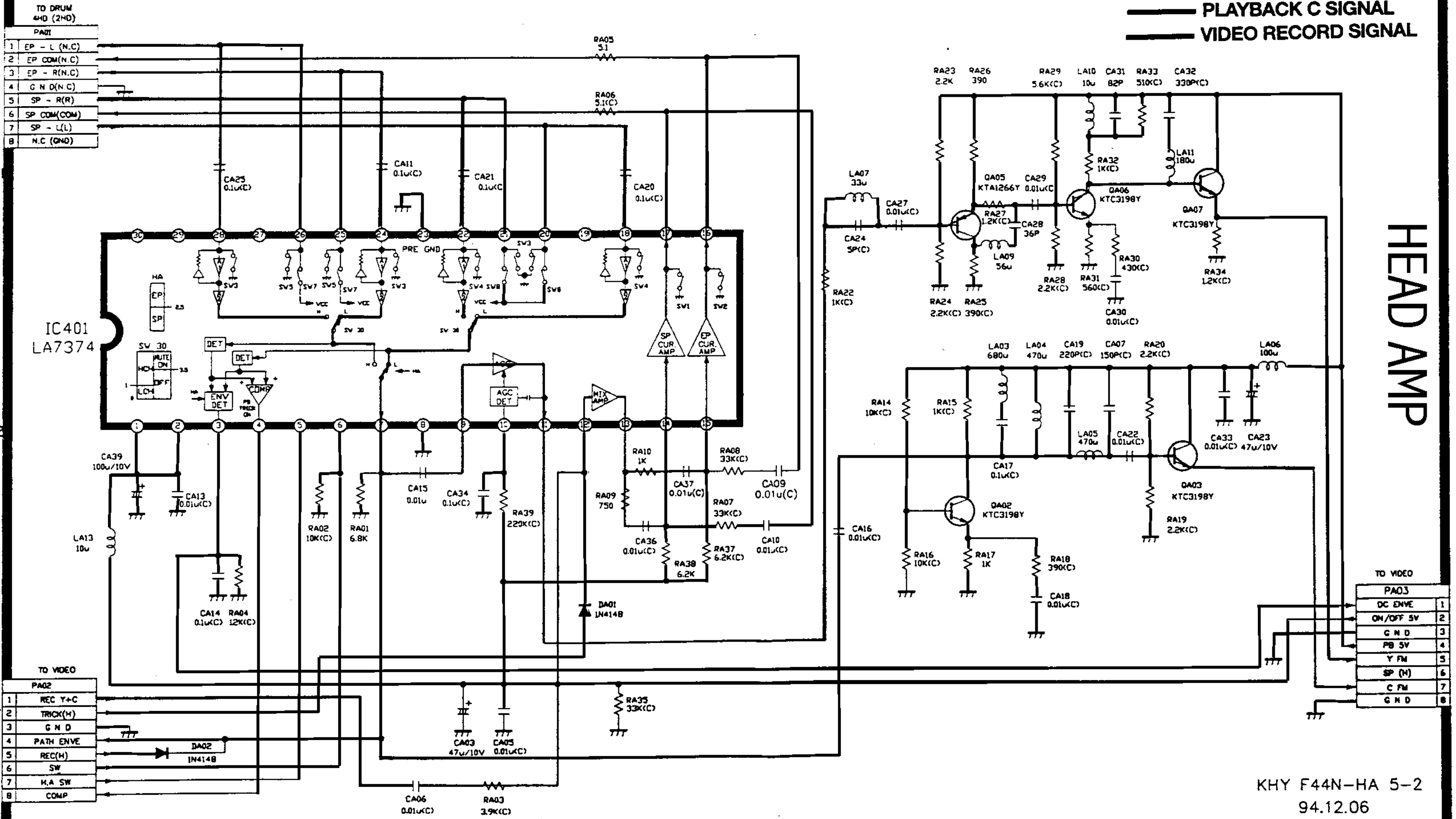
P701	
1	VFD STB
2	VFD CLK
3	VFD DATA IN
4	VFD DATA OUT
5	EVER -24V
6	REMOCON OUT
7	EVER 5.8V
8	GND
9	F(+)
10	F(-)
11	GND



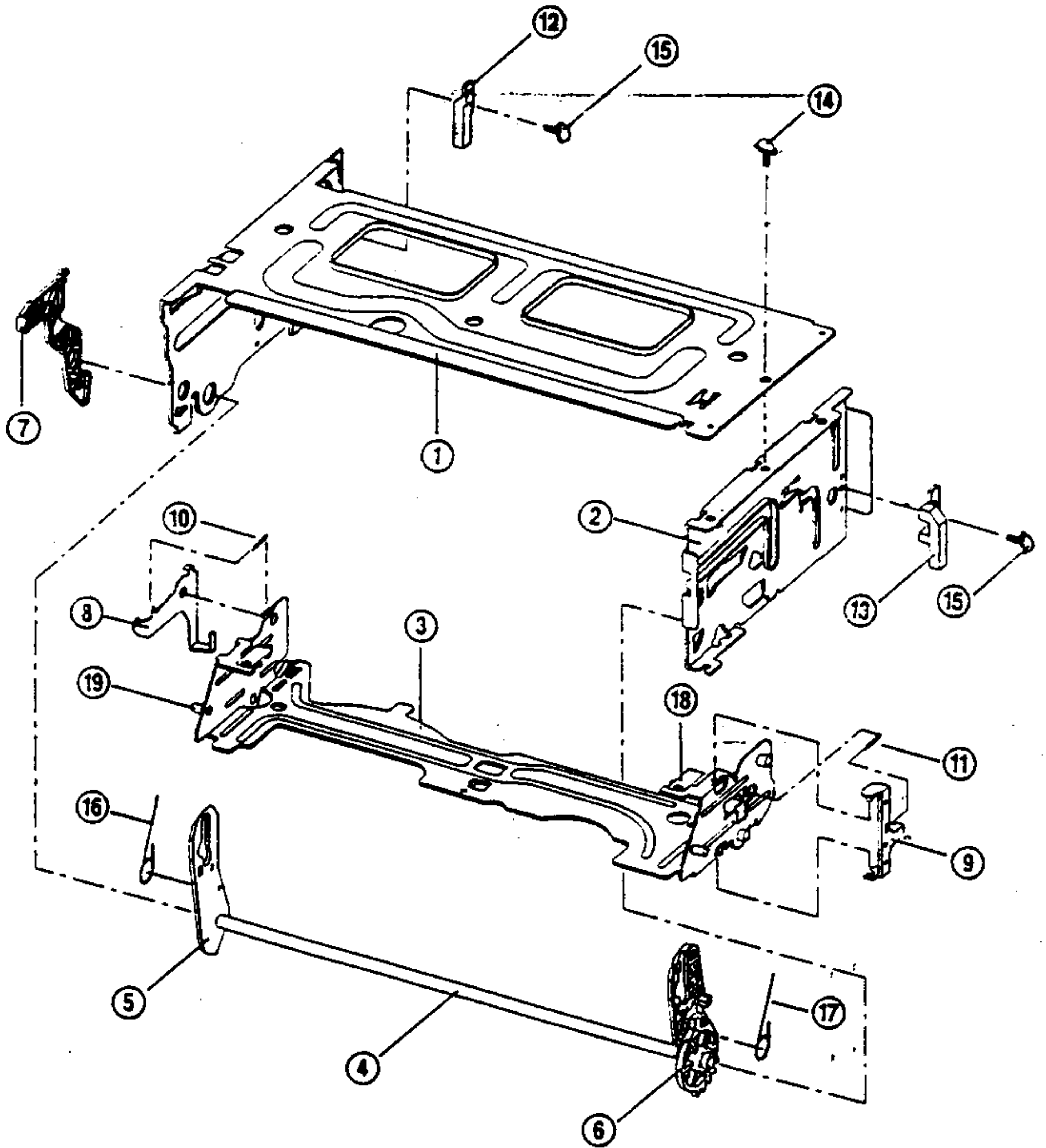
TIMER

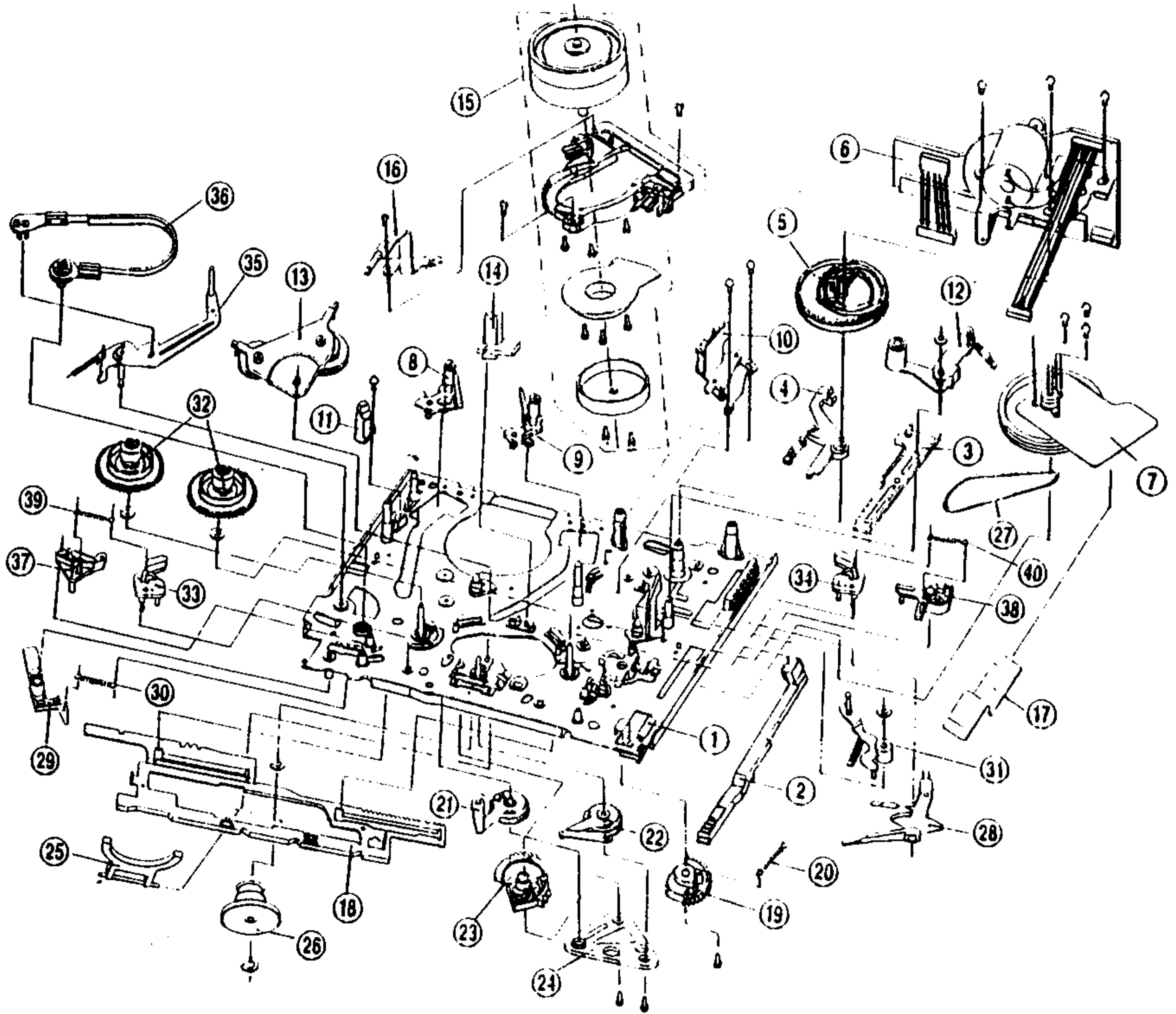
——— PLAYBACK Y SKTNAL
 ——— PLAYBACK C SIGNAL
 ——— VIDEO RECORD SIGNAL

HEAD AMP



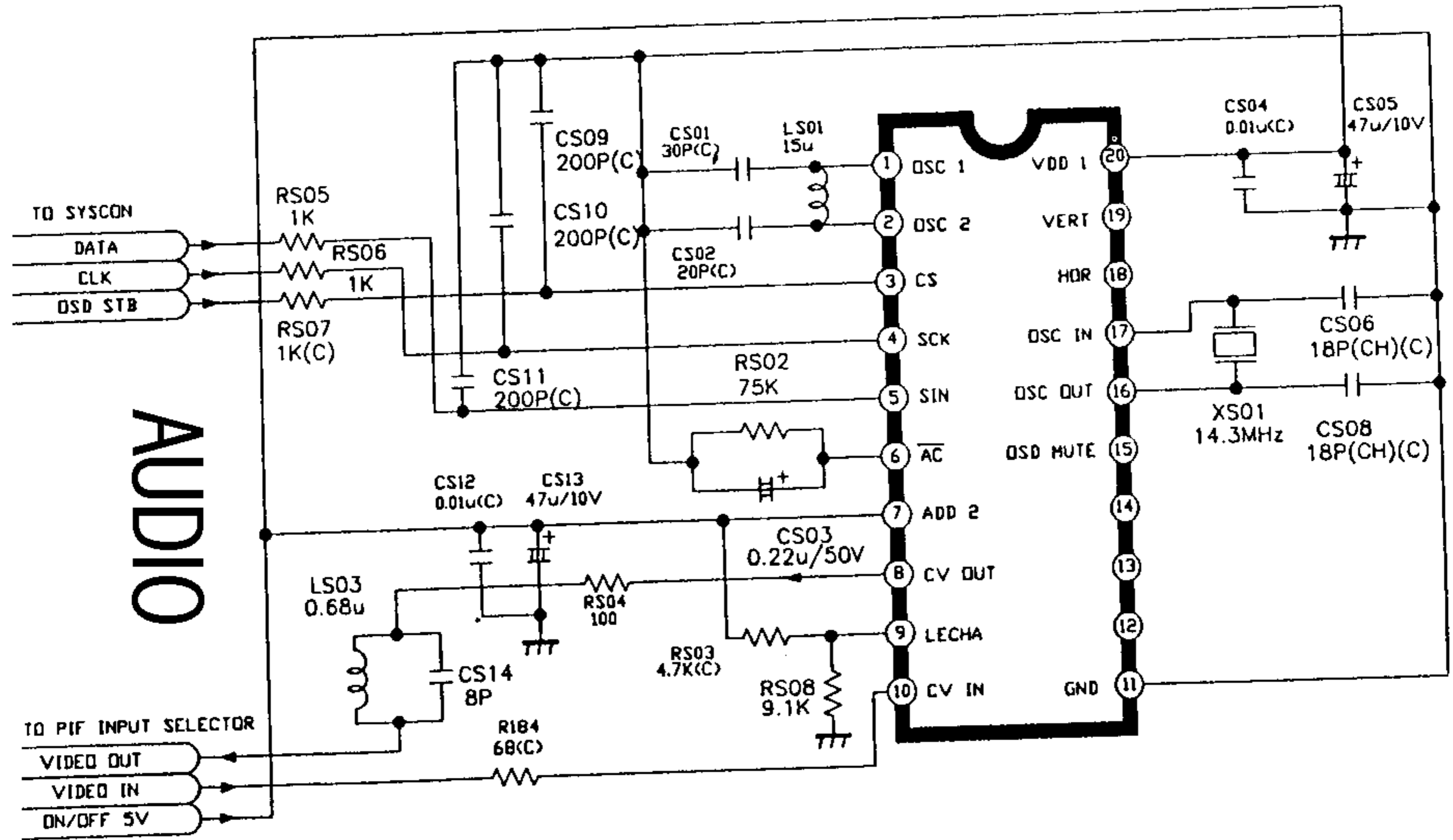
KHY F44N-HA 5-2
 94.12.06



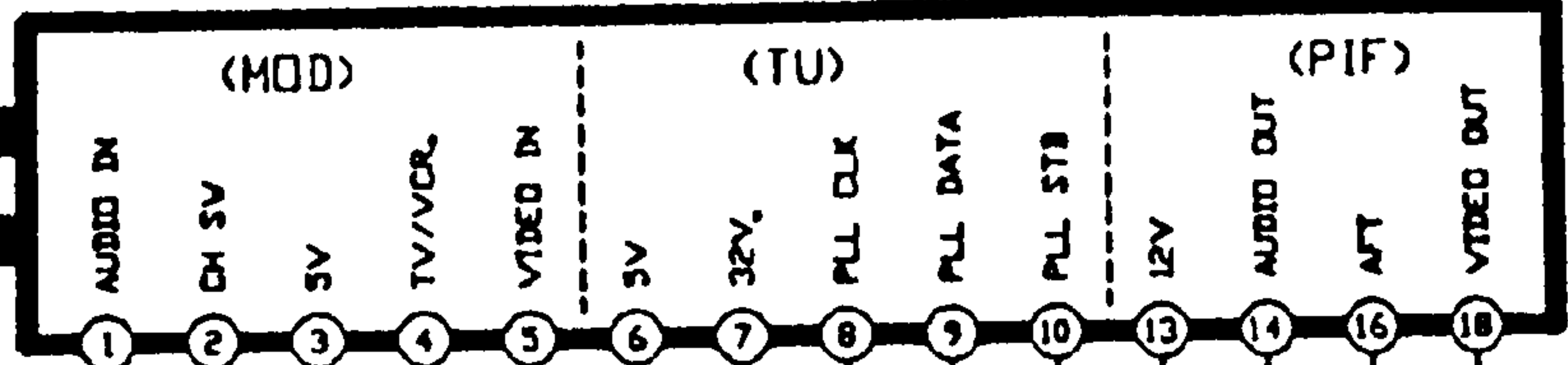


ICS01
168K88E6ML (ENGLISH, SPANISH, FRENCH)

AUDIO



RF101



RF CONV. AUDIO IN

TO SERVO/SYSCON

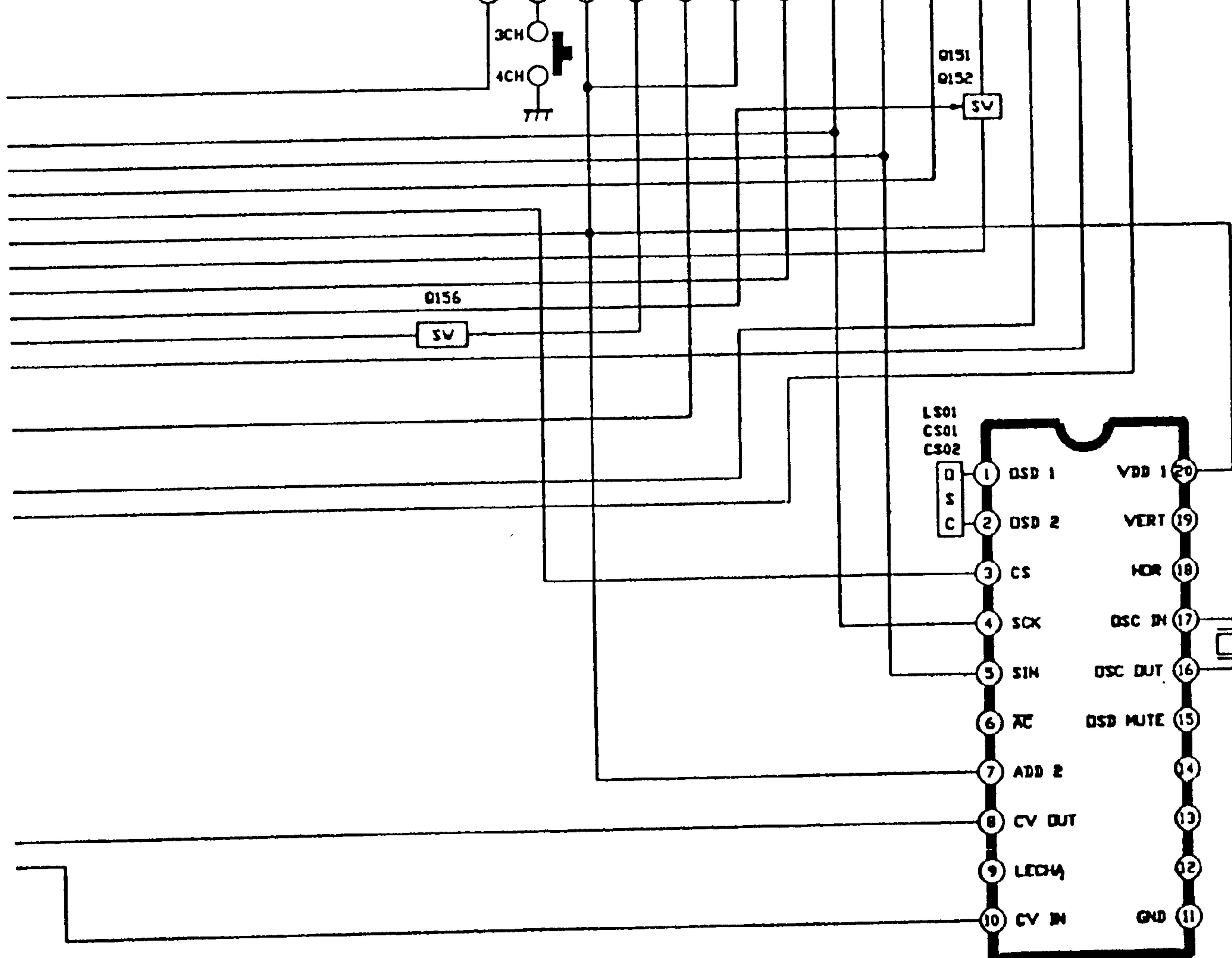
- CLOCK
- DATA
- PLL STB
- OSD STB
- ON/OFF 5V
- ON/OFF 12V
- EVER 32V
- TU ON/OFF
- TV/VCR
- AFT

RF CONV. VIDEO IN

TUNER VIDEO OUT
TUNER AUDIO OUT

TO VIDEO

- OSD VIDEO OUT
- OSD VIDEO IN



ICS01
168K3560ML

4. PARTS LIST OF F/L ASS'Y

NO	STOCK NO.	PART NAME	Q'TY	REMARKS
1	97S2400500	TOP PLATE	1 EA	
2	97S2400400	F/L BRKT R.	1 EA	
3	97S0900700	CST HOLDER PLATE	1 EA	
4	97S3600200	LOADING SHAFT	1 EA	
5	97S2601800	LOADING LEVER L	1 EA	
6	97S2601600	LOADING LEVER R	1 EA	
7	97S1800400	DOOR OPENER	1 EA	
8	97S2601500	SAFETY LEVER	1 EA	
9	97S2602400	RELEASE LEVER	1 EA	
10	97S3001800	SAFETY SPRING	1 EA	
11	97S3001700	RELEASE SPRING	1 EA	
12	97S2602200	PRISM LINK L	1 EA	
13	97S2602100	PRISM LINK R	1 EA	
14	7274260611	TAPTITE SCREW (TT3 WAS 3x6 MFZN)	1 EA	
15	7278300611	TAPTITE SCREW (TT3 WAS 3x6 MFZN)	2 EA	
16	97S3002100	LEVER L SPRING	1 EA	
17	97S3002000	LEVER R SPRING	1 EA	
18	97S3001500	UPPER SPRING	2 EA	
19	97S3502200	HOLDER POST	1 EA	

NO.	STOCK NO.	PART NAME	Q'TY	REMARKS
29	97S2600800	REC SAFETY LEVER	1 EA	
30	97S3000900	REC SAFETY SPRING	1 EA	
31	97SA301900	REVIEW ARM AS	1 EA	
32	97S2900200	REEL TABLE	2 EA	
33	97SA301500	S MAIN BRAKE AS	1 EA	
34	97SA301700	T MAIN BRAKE AS	1 EA	
35	97SA301800	TENSION LEVER AS	1 EA	
36	97SA302400	BAND BRAKE TOTAL AS	1 EA	
37	97S5700100	S SUB BRAKE	1 EA	
38	97SA301600	T SUB BRAKE AS	1 EA	
39	97S3002200	S BRAKE SPRING	1 EA	
40	97S3002300	T BRAKE SPRING	1 EA	

2. PARTS LIST OF DECK ASS'Y

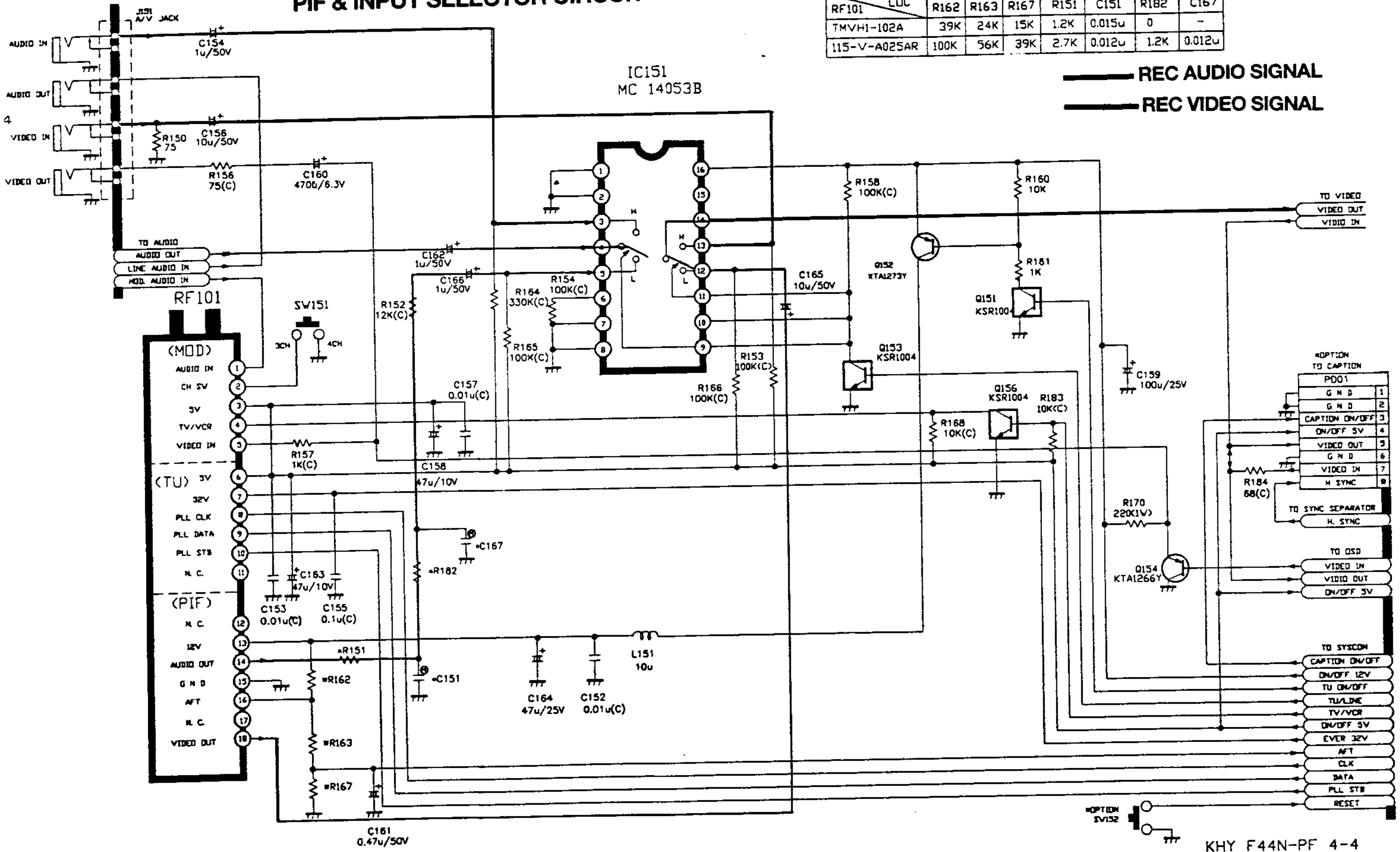
NO	STOCK NO.	PART NAME	Q'TY	REMARKS
1	97SA300400	MAIN BASE AS	1 EA	
2	97S2700100	F/L DRIVE RACK	1 EA	
3	97SA300500	RELAY PLATE AS	1 EA	
4	97SA304700	RETURN LEVER AS	1 EA	
5	97S2700200	CAM GEAR	1 EA	
6	97SA300700	L/C BRKT AS	1 EA	
7	97S8100100	CAPSTAN MOTOR	1 EA	97S8100200
8	97SA300800	S SLANT POLE AS	1 EA	
9	97SA300900	T SLANT POLE AS	1 EA	
10	97SA302000	A/C HEAD TOT AS	1 EA	
11	97S8000600	FE HEAD	1 EA	
12	97SA300600	PINCH LEVER TOT AS	1 EA	97SA431000
13	97SA301400	IDLER PLATE AS	1 EA	
14	97S2601300	LED PRISM LINK	1 EA	
15	97SA245800	DRUM TOTAL AS	1 EA	NTSC 2H'D
	97SA247000	DRUM TOTAL AS	1 EA	NTSC 4H'D
	97SA246000	DRUM TOTAL AS	1 EA	PAL 2H'D SP
	97SA246200	DRUM TOTAL AS	1 EA	PAL 2H'D LP
	97SA247200	DRUM TOTAL AS	1 EA	PAL 4H'D
	97SA246200	DRUM TOTAL AS	1 EA	SECAM 2H'D
	97SA249600	DRUM TOTAL AS	1 EA	SECAM 4H'D
16	97SA302100	EARTH BRKT AS	1 EA	
17	97P88F0908	CABLE FFC AS	1 EA	
18	97S0900200	MAIN PLATE	1 EA	
19	97S2700600	RELAY GEAR	1 EA	
20	97S3002400	RELAY SPRING	1 EA	
21	97SA301000	L LOADING GEAR AS	1 EA	
22	97SA301100	R LOADING GEAR AS	1 EA	
23	97S2700700	LOAD RELAY GEAR	1 EA	
24	97S0900300	LOADING GUIDE PLATE	1 EA	
25	97S2600700	CLUTCH LEVER	1 EA	
26	97SA301200	REEL DRIVE TOTAL AS	1 EA	
27	97S5500200	REEL BELT	1 EA	
28	97SA301300	CAPSTAN BRAKE AS	1 EA	4H'D ONLY

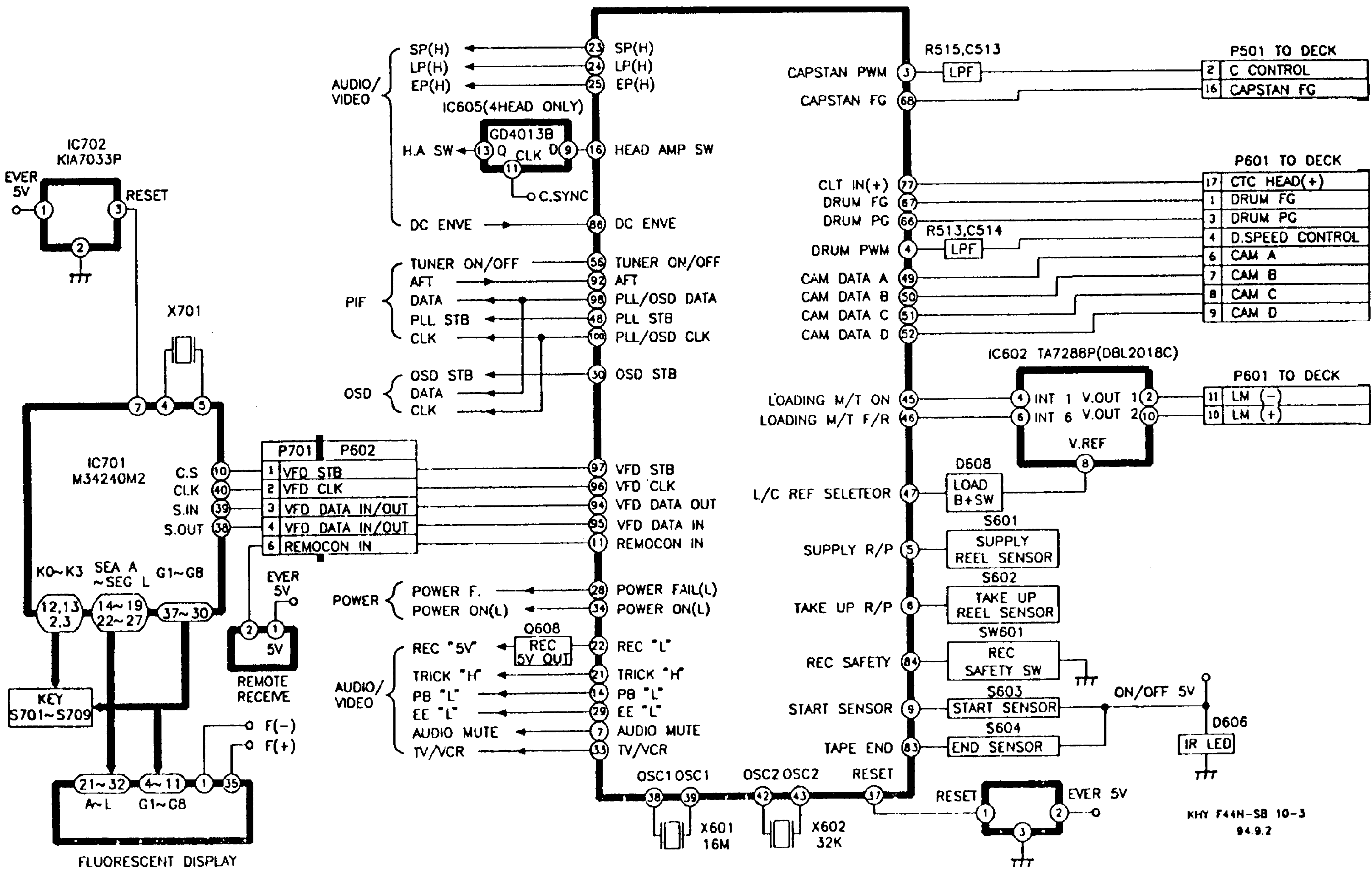
PIF & INPUT SELECTOR CIRCUIT

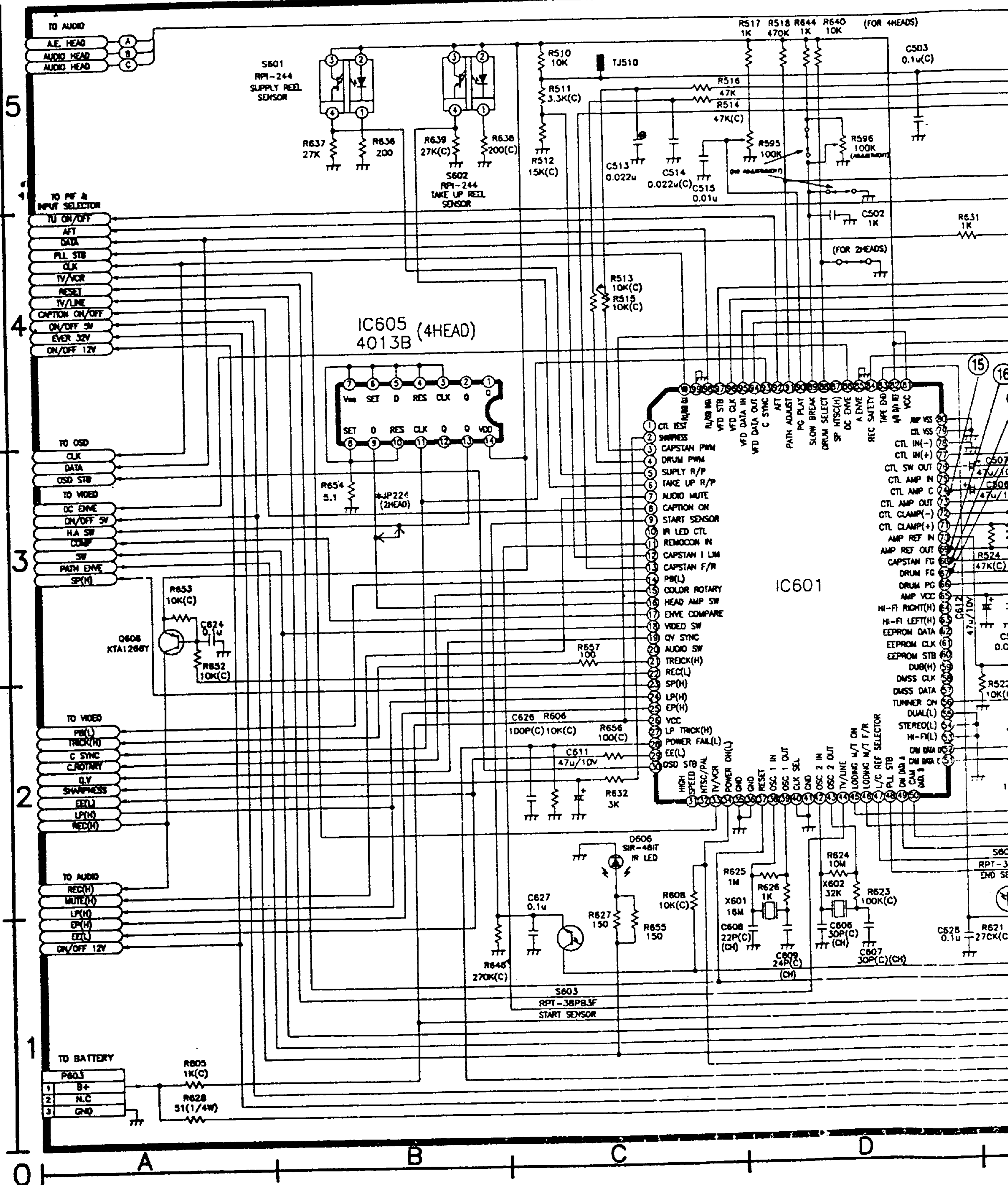
TUNER OPTION

RF101	LOC	R162	R163	R167	R151	C151	R182	C167
TMVH1-102A		39K	24K	15K	1.2K	0.015 μ	0	-
115-V-A025AR		100K	56K	39K	2.7K	0.012 μ	1.2K	0.012 μ

REC AUDIO SIGNAL
 REC VIDEO SIGNAL







5
4
3
2
1
0

A B C D

IC605
4013B (4HEAD)

IC601

S601
RPI-244
SUPPLY REEL
SENSOR

S602
RPI-244
TAKE UP REEL
SENSOR

TJ510

(FOR 2HEADS)

(FOR 4HEADS)

Q608
KTA1266Y

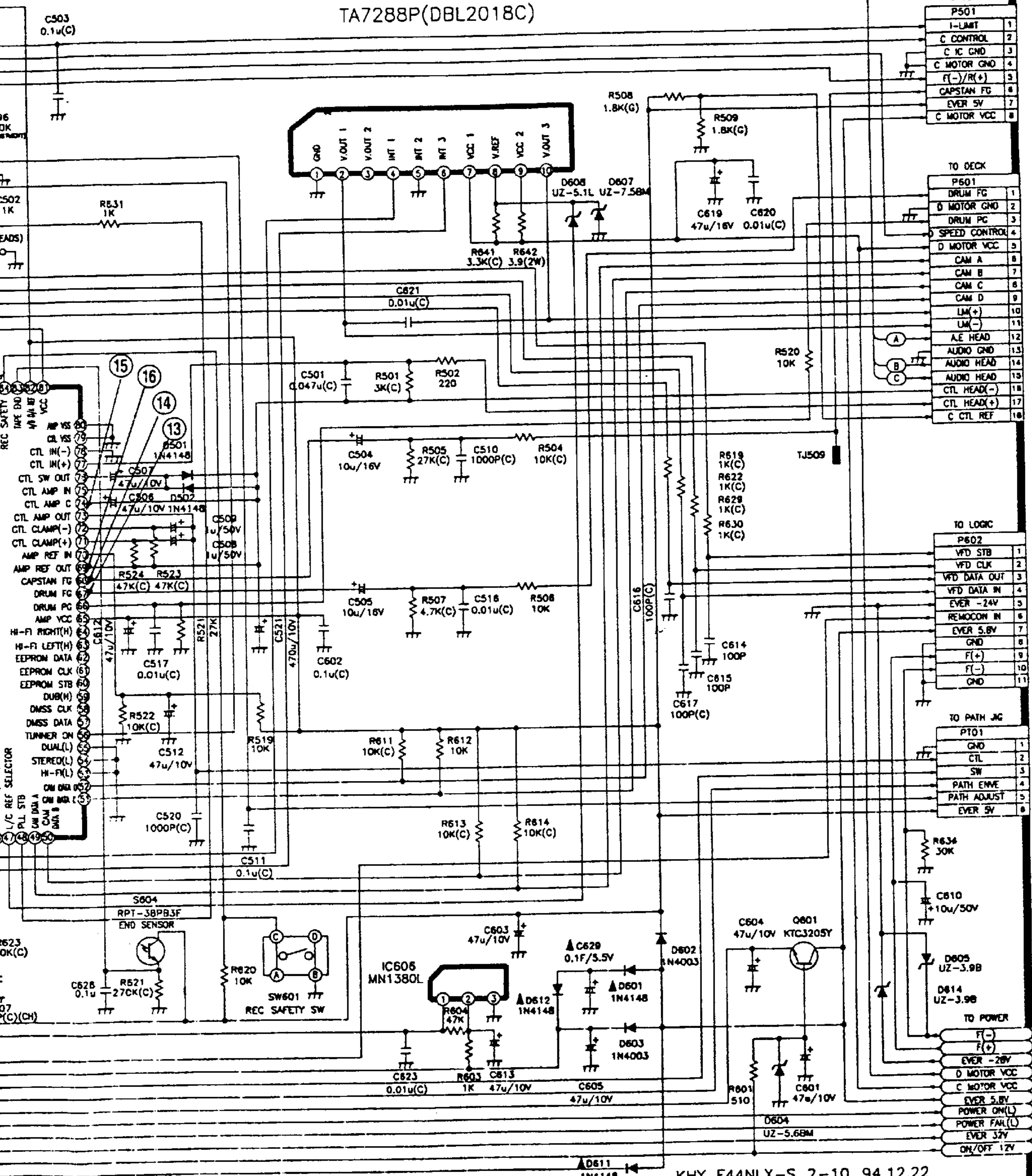
D606
SIR-481T
IR LED

S603
RPT-38PB3F
START SENSOR

S604
RPT-38
END SEN

(FOR 4HEADS)

IC602 TA7288P(DBL2018C)



TO DECK

P501	
I-LIMIT	1
C CONTROL	2
C IC GND	3
C MOTOR GND	4
F(-)/R(+)	5
CAPSTAN FG	6
EVER 5V	7
C MOTOR VCC	8

TO DECK

P601	
DRUM FG	1
D MOTOR GND	2
DRUM PC	3
D SPEED CONTROL	4
D MOTOR VCC	5
CAM A	6
CAM B	7
CAM C	8
CAM D	9
LM(+)	10
LM(-)	11
A/E HEAD	12
AUDIO GND	13
AUDIO HEAD	14
AUDIO HEAD	15
CTL HEAD(-)	16
CTL HEAD(+)	17
C CTL REF	18

TO LOGIC

P602	
VFD STB	1
VFD CLK	2
VFD DATA OUT	3
VFD DATA IN	4
EVER -24V	5
REMOCON IN	6
EVER 5.6V	7
GND	8
F(+)	9
F(-)	10
GND	11

TO PATH JG

PT01	
GND	1
CTL	2
SW	3
PATH ENNE	4
PATH ADJUST	5
EVER 5V	6

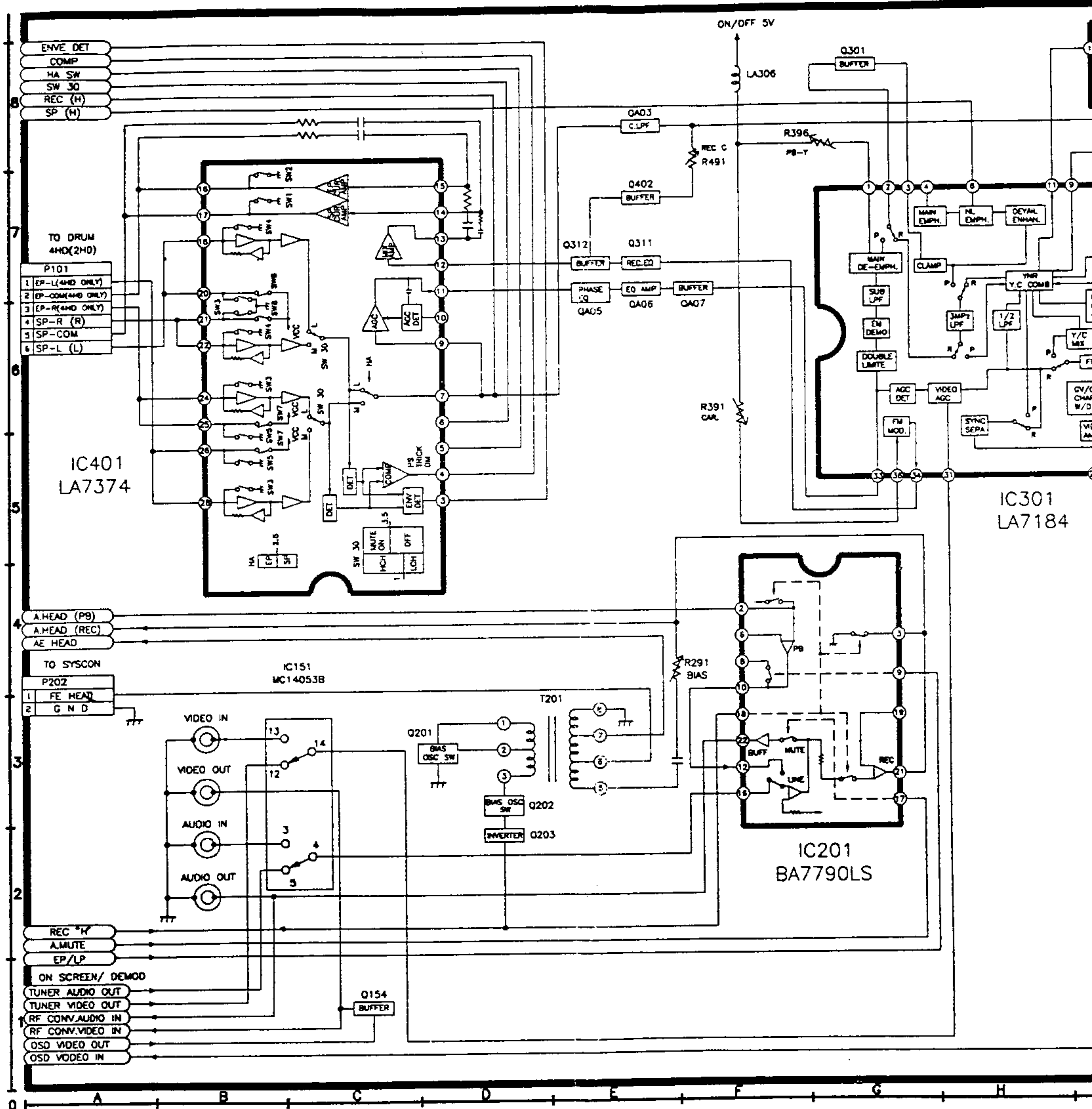
TO POWER

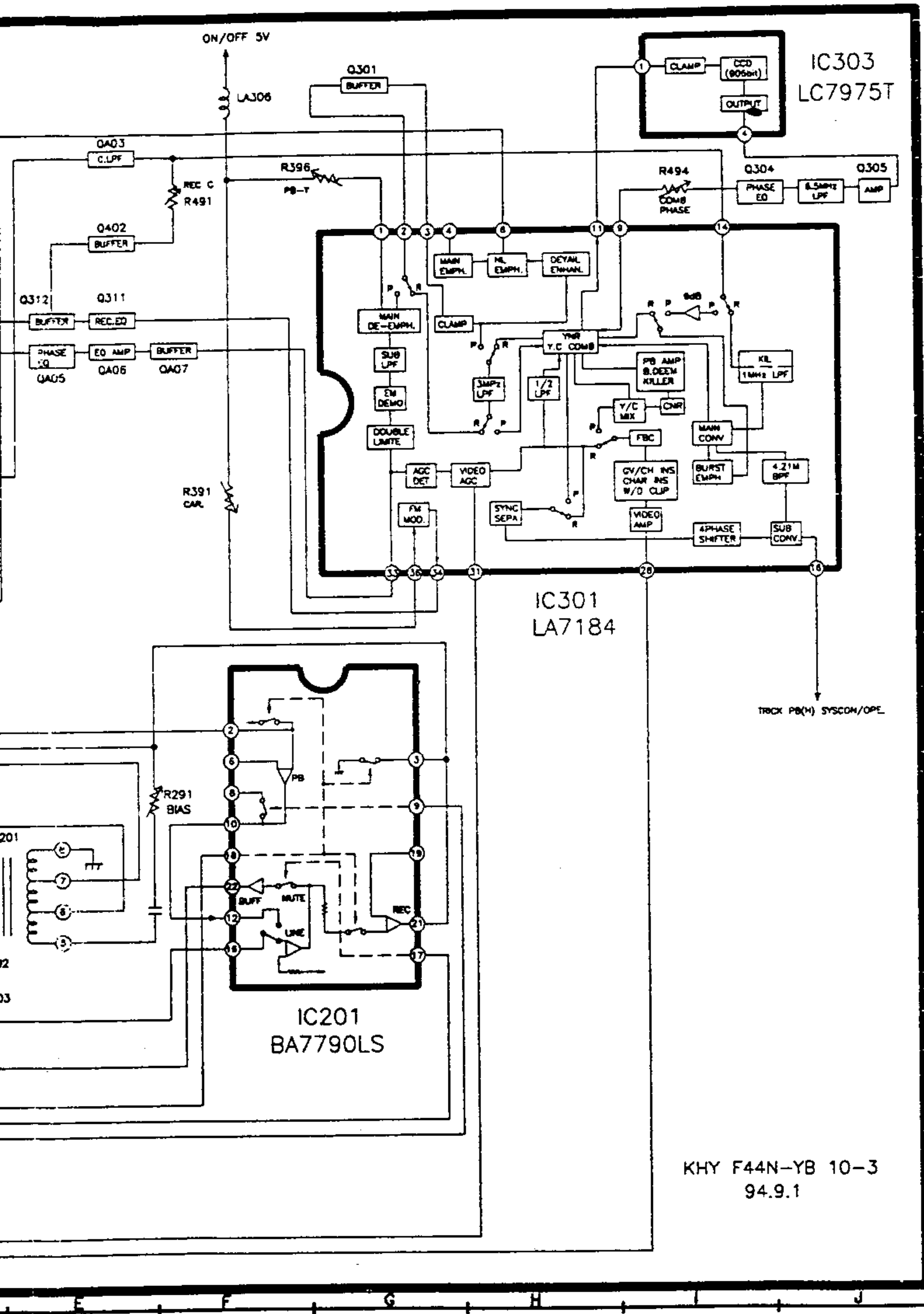
F(-)	
F(+)	
EVER -28V	
D MOTOR VCC	
C MOTOR VCC	
EVER 5.6V	
POWER ON(L)	
POWER FAIL(L)	
EVER 37V	
ON/OFF 12V	

KHY F44NLX-S 2-10 94.12.22

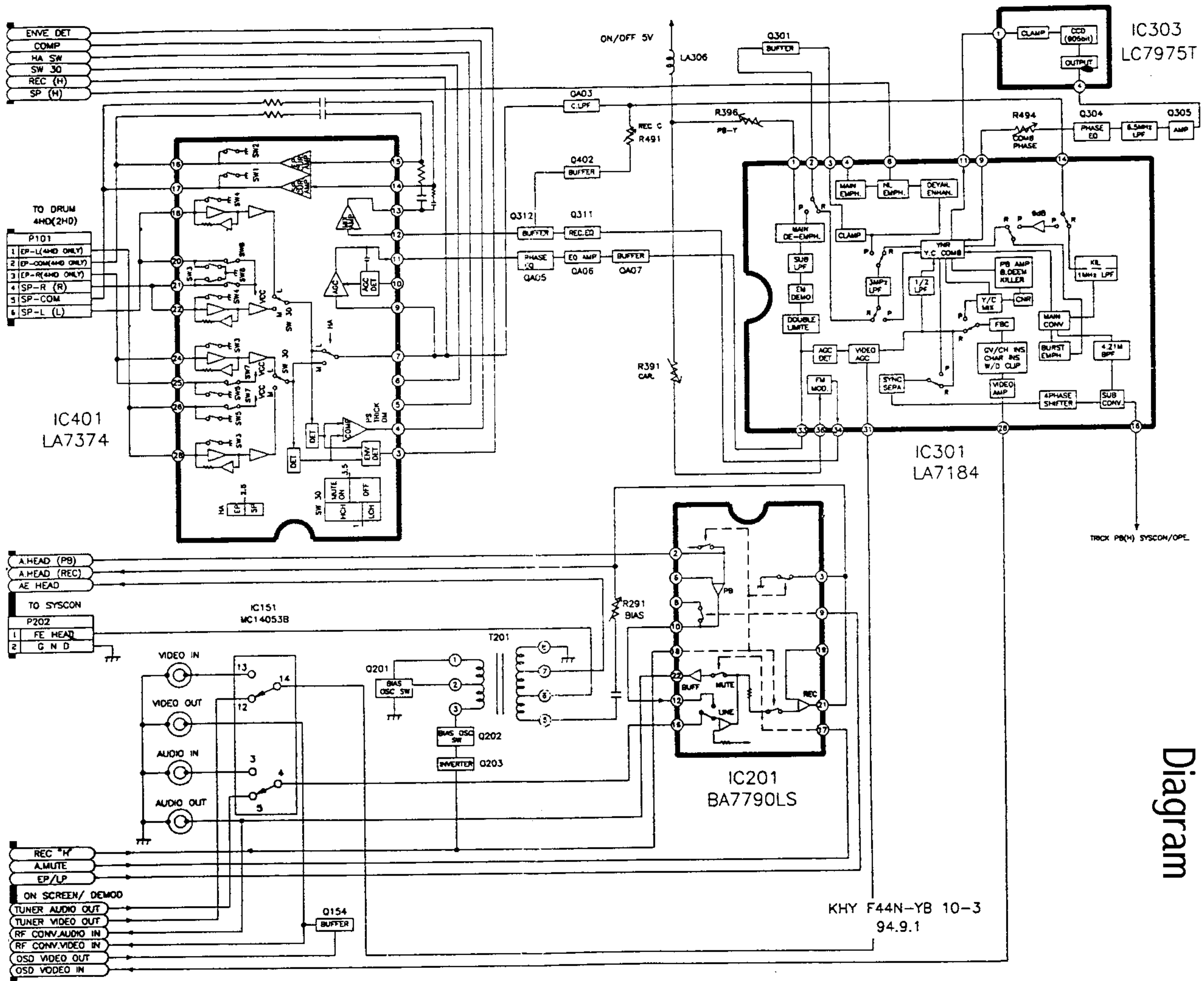
K DIAGRAM

VIDEO/INPUT SELECTOR BLOCK DIAGRAM





KHY F44N-YB 10-3
94.9.1



Video Block Diagram

KHY F44N-YB 10-3
94.9.1

