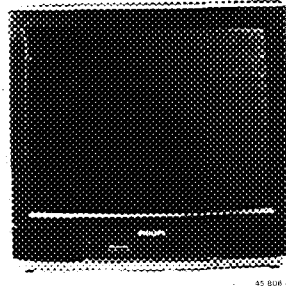


Colour television 25MN1350/10B

Service
Service
Service



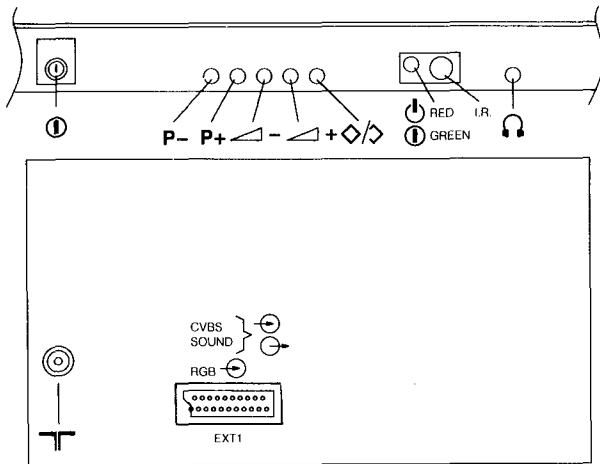
25MN1356/15B/19B
25MN1550/
02B/05B/07B/08B/10B/13B/16B
28MN1370//10B/16B
28MN1376/15B/19B
28MN1570/
02B/08B/10B/13B/16B

Service Manual

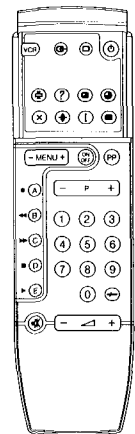
Safety regulations require that the set be restored to its original condition and that parts which are identical with those specified be used.

Les normes de sécurité exigent que l'appareil soit remis à l'état d'origine et que soient utilisées les pièces de rechange identiques à celles spécifiées.

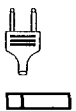
Chassis GR2.1



MDA.02983
T19/112

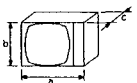


RC6501



220-240 V (± 10%)
140W max.

UV917E:
VHFa:48.25-82.25 MHz
VHFb:175.25-224.25 MHz
UHF :471.25-855.25 MHz
U943:
UHF:471.25-855.25 MHz



a x b x c
25": 581x545x439 mm
28": 640x589x458 mm



- /02/08/10/13/16: PAL BG
- /05/07: PAL I
- /15: PAL BG
SECAM BG
- /19B: PAL BGI
SECAM BGLL'



1 x 10W
20Ω

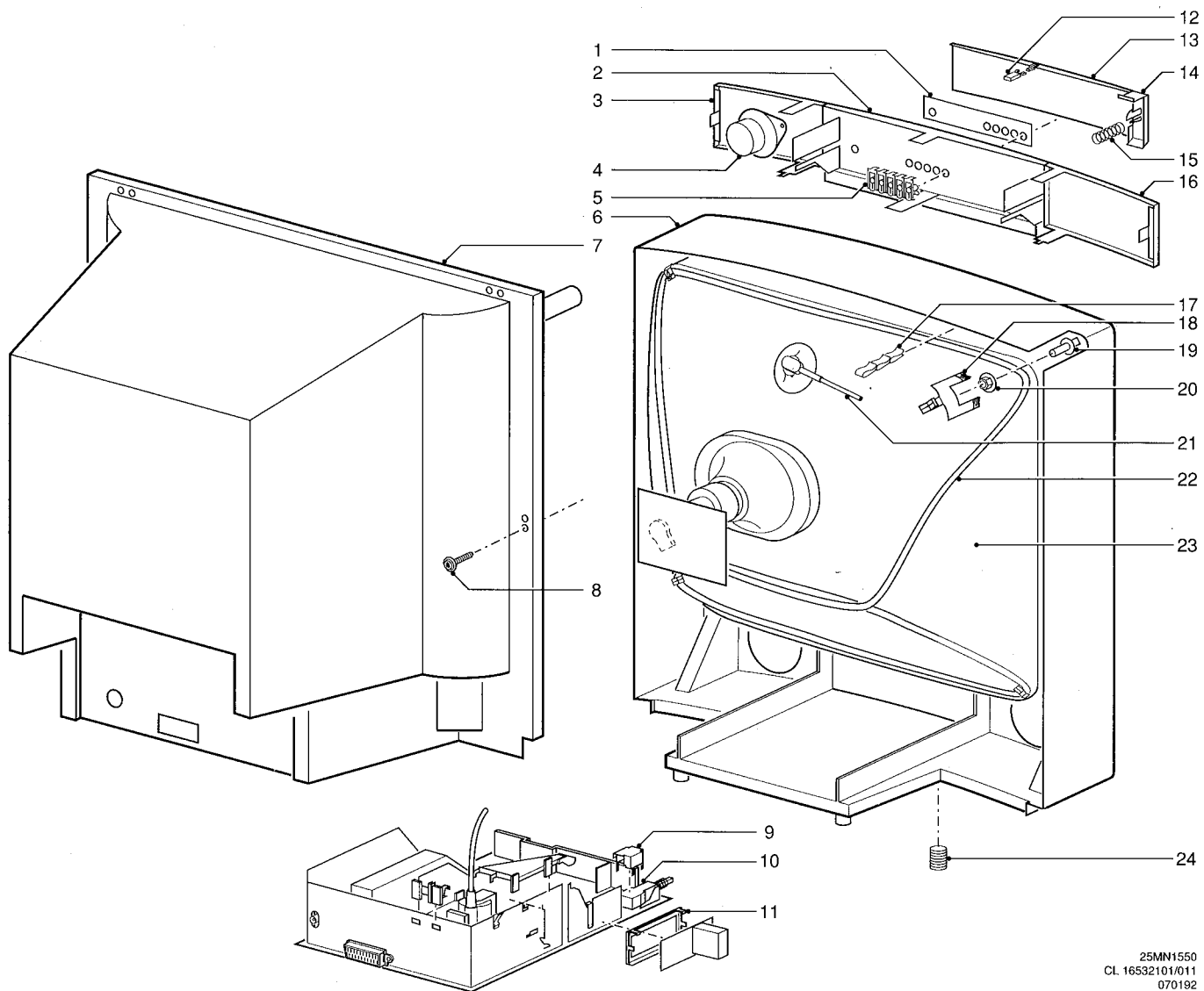
OPTIONS

	PIP	2ND SCART	TELETEXT	AUTO STORE	MULTI SYSTEM	HYPERBAND	UHF ONLY	NICAM TWIN
-/19				X	X	X		
-/02/07/08/10*/13/16*			X	X	X	X		
-/15			X	X	X			
-/05			X	X			X	

*25MN1350 & 28MN1370 NO TXT



PHILIPS



25MN1550
CL 16532101/011
070192

- | | | | | | |
|----|----------------|--------------------------|----|----------------|---------------------------------------------------|
| 1 | 4822 454 12749 | Indication strip | 14 | 4822 410 61702 | Mains knob |
| 2 | 4822 432 10944 | Control panel | 15 | 4822 492 32656 | Spring behind mains knob |
| 3 | 4822 458 50378 | Grill right 25" | 16 | 4822 432 92831 | Cover left 25" |
| 3 | 4822 458 50379 | Grill right 28" | 16 | 4822 432 92832 | Cover left 28" |
| 4 | 4822 240 20302 | Loudspeaker | 17 | 4822 404 30709 | Clip |
| 5 | 4822 410 61347 | Knob assy 5x | 18 | 4822 404 30869 | Degaussing coil bracket |
| 6 | 4822 430 50814 | Cabinet 25" | 19 | 4822 502 12865 | Picture tube spindle |
| 6 | 4822 430 50815 | Cabinet 28" | 20 | 4822 505 10903 | Picture tube nut |
| 7 | 4822 438 40216 | Rear cover 25" | 21 | 4822 320 20182 | EHT cable |
| 7 | 4822 438 40217 | Rear cover 28" | 22 | 4822 157 63747 | Degaussing coil 25" |
| 8 | 4822 502 13712 | Screw 12x3 mm | 22 | 4822 157 53091 | Degaussing coil 28" |
| 9 | 4822 432 92785 | Mains switch cover | 23 | 4822 131 20309 | Picture tube A59EAK01X03 |
| 10 | 4822 276 13153 | Mains switch | 23 | 4822 131 20308 | Picture tube A66EAK51X03 |
| | 4822 053 21915 | Res. 9M1 on mains switch | 24 | 4822 532 61148 | Insert fixing stand (-/05) |
| 11 | 4822 404 31181 | Mains module bracket | | 4822 218 21018 | Remote control RC6502
(Replacement for RC5601) |
| 12 | 4822 417 50252 | Lock | | 4822 432 92761 | Battery cover |
| 13 | 4822 432 10945 | Door | | 4822 432 92762 | Top cover |
| | | | | 4822 462 10498 | Stand (for -/05) |