

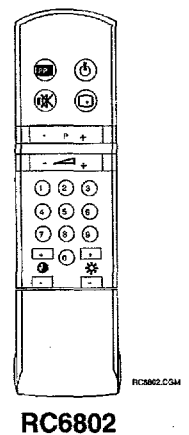
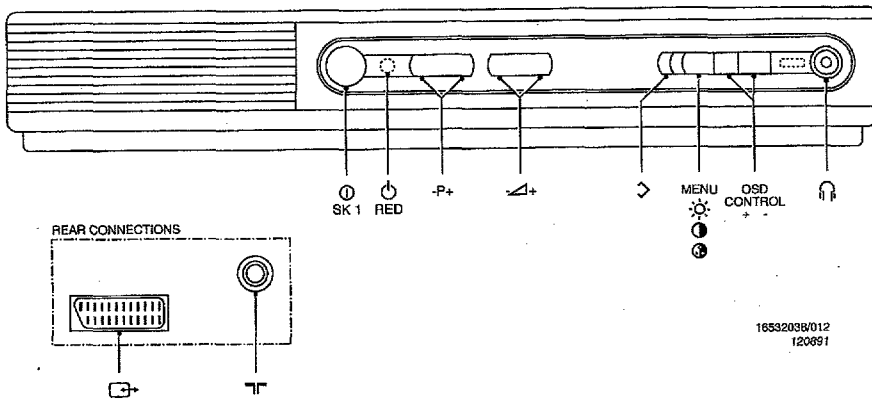
Service
Service
Service

Service Manual

Safety regulations require that the set be restored to its original condition and that parts which are identical with those specified be used.

CHASSIS ANUBIS A

Les normes de sécurité exigent que l'appareil soit remis à l'état d'origine et que soient utilisées les pièces de rechange identiques à celles spécifiées.



220-240 V (± 10%)
52 W

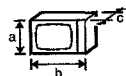


-/25G

: PAL I



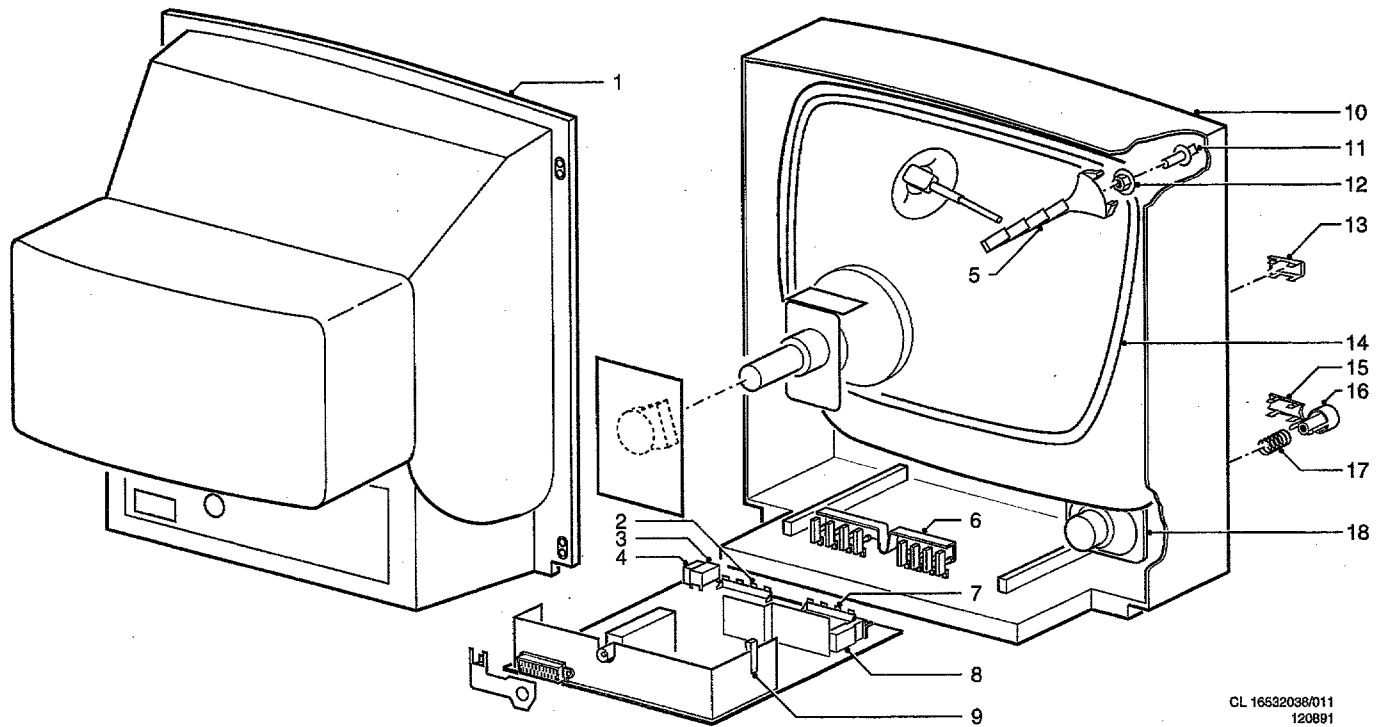
U 943
UHF : 470-861 MHz



axbxc
508x475x470 mm



1x1W



CL 1652038/011
120891

1	4822 438 20231	Rear cover
2	4822 276 40414	Switch assy right
3	4822 218 20981	RC5 Receiver
4	4822 267 31292	Headphone jack
5	4822 404 30945	coil bracket
6	4822 410 61152	Push button assy
7	4822 277 21438	Switch assy left
8	4822 276 12597	Mains switch
9	4822 492 70559	Spring for transistor
10	4822 430 30224	Cabinet
11	4822 503 12865	Spindle
12	4822 505 10903	Nut
13	4822 381 11247	RC lens
14	4822 157 52155	Degaussing coil
15	4822 432 93021	LED cover
16	4822 410 61584	Mains knob
17	4822 492 32656	Spring
18	4822 240 20294	Loudspeaker
	4822 218 21044	Remote control RC6802
	4822 462 10523	Stand
	4822 532 61151	Bushing for stand