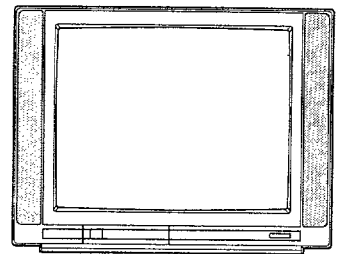


Service
Service
Service



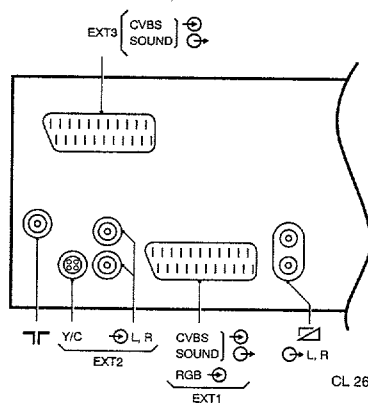
CL 26532164/013
140992

Service Manual

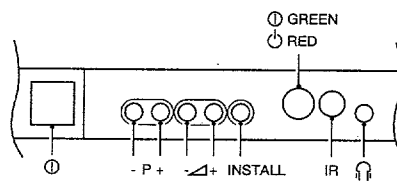
Safety regulations require that the set be restored to its original condition and that parts which are identical with those specified be used.

Les normes de sécurité exigent que l'appareil soit remis à l'état d'origine et que soient utilisées les pièces de rechange identiques à celles spécifiées.

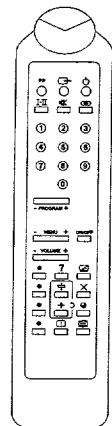
Chassis GR2.2



CL 26532099/013
210792



70NA1817
CL 16532097/033
070192



CL 26532162/011
231092

RC7502



220-240 V ($\pm 10\%$)
140 W max.



A59EAK252X13
4822 131 20521
A66EAK252X13
4822 131 20472



axbxc
25": 525x685x460 mm
28": 742x570x460 mm



-/10

: PAL BG



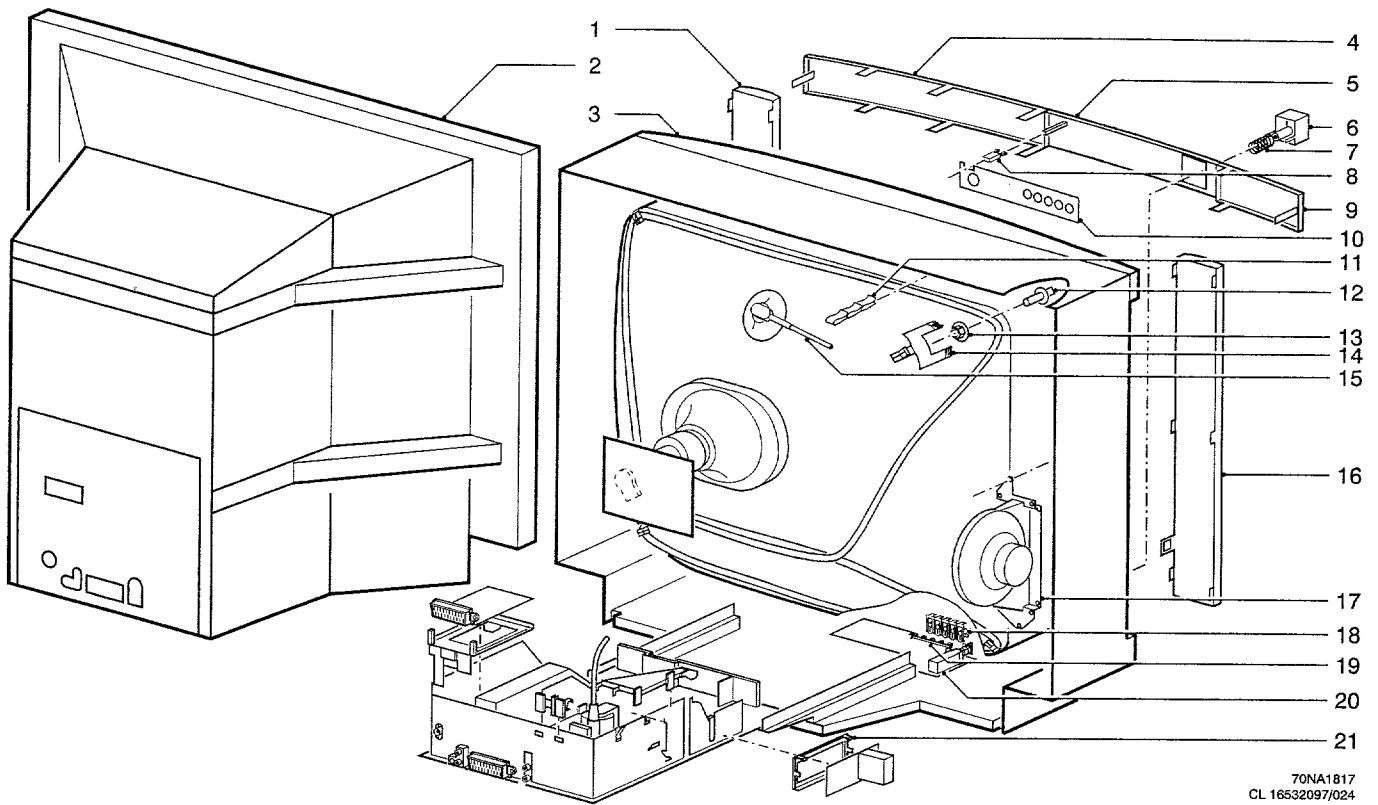
UV916: 45-889 MHz



2x25 W
8 Ω



PHILIPS



70NA1817
CL 16532097/024
121991

1	4822 458 50467	Grill right 25"	19	4822 276 50354	Switch assy for controls
1	4822 458 50469	Grill right 28"	20	4822 276 12597	Mains switch
2	4822 438 40225	Rear cover	21	4822 403 70926	Mains module bracket
3	4822 430 50881	Cabinet 25"			
3	4822 430 50882	Cabinet 28"			
4	4822 432 92997	Front cover		4822 432 10988	Control panel with fixing lips
5	4822 432 93083	Door		4822 157 63752	Degaussing coil
6	4822 410 62598	Mains knob		4822 218 21161	Remote control RC7502
7	4822 492 32656	Spring behind mains knob		4822 432 30429	Battery cover RC7502
8	4822 417 50252	Locking mechanism			
10	4822 460 11001	Indication strip			
11	4822 404 30709	Degaussing coil clip			
12	4822 502 12865	Picture tube spindle			
13	4822 505 10903	Picture tube nut			
14	4822 404 30869	Degaussing coil bracket			
15	4822 320 20172	EHT cable 28PT550A			
16	4822 458 50468	Grill left 25"			
16	4822 458 50471	Grill left 28"			
17	4822 240 70252	Loudspeaker assy right/left			
18	4822 410 62597	Control knob assy			