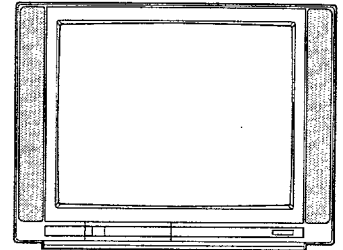


Service
Service
Service



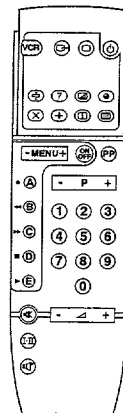
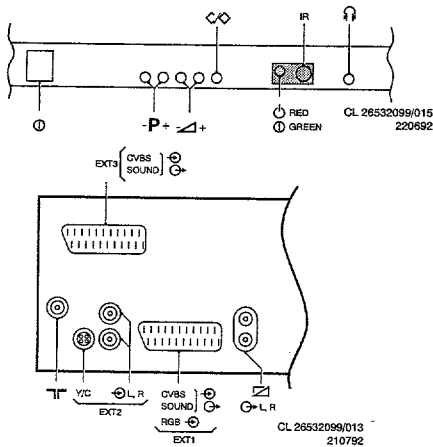
CL 26532154/013
140992

Service Manual

Safety regulations require that the set be restored to its original condition and that parts which are identical with those specified be used.

Les normes de sécurité exigent que l'appareil soit remis à l'état d'origine et que soient utilisées les pièces de rechange identiques à celles spécifiées.

Chassis GR2.2



RC6512
CL 26532107011
240992

RC6512



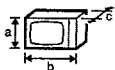
220-240 V ($\pm 10\%$)
140 W max.



: PAL BG



UV916: 45-855 MHz



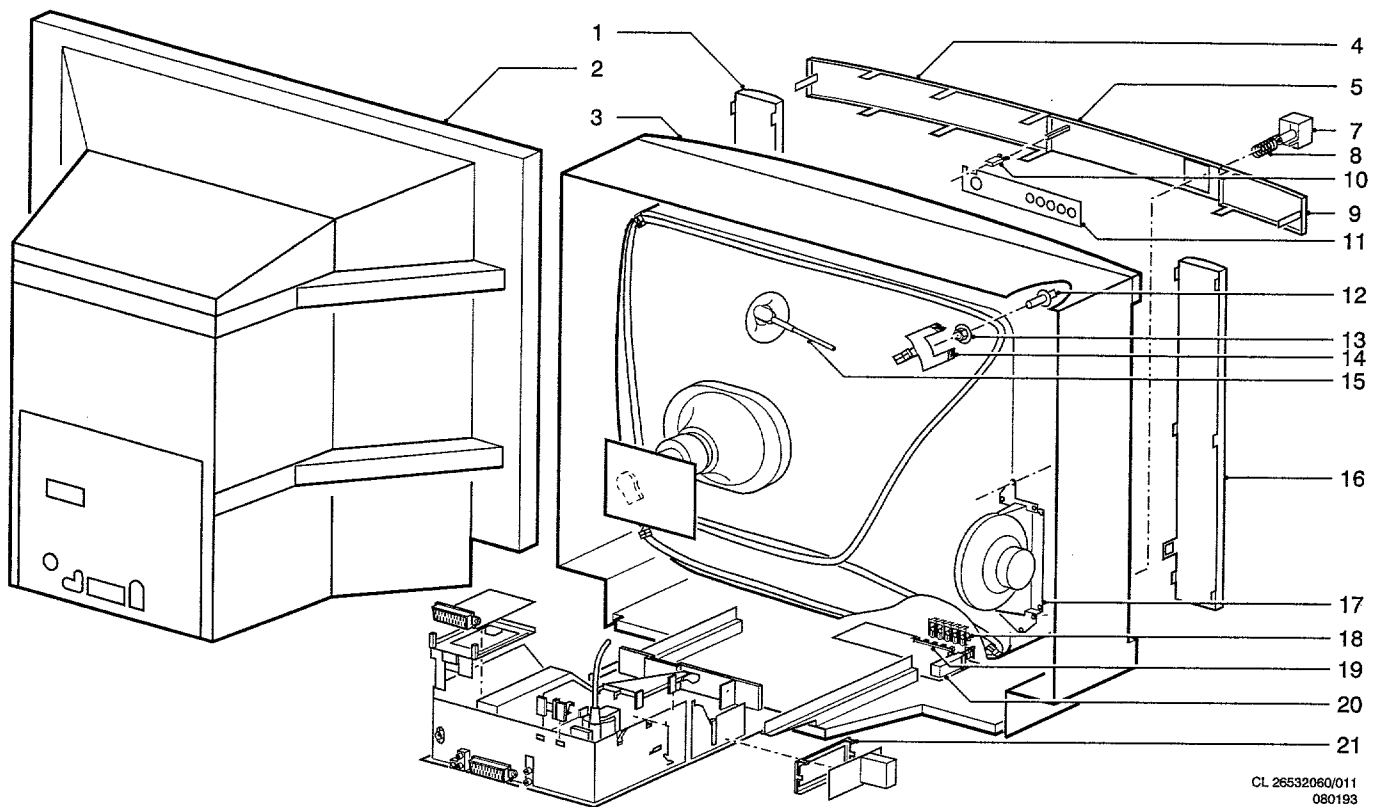
axbxc (mm)
25": 525x685x460
28": 570x742x460



2x20 W
8 Ω



PHILIPS



CL 2653206Q/011
080193

1	4822 458 50451	Grill right 25"	16	4822 458 50442	Grill left 28"
1	4822 458 50443	Grill right 28"	17	4822 240 30639	Loudspeakers / right / left
2	4822 438 30248	Rear cover 25"		4822 240 70252	Tweeter
2	4822 438 40225	Rear cover 28"		4822 410 61347	Acoustic horn
3	4822 430 50878	Cabinet 25"	18	4822 410 61347	Control knob assy
3	4822 430 50879	Cabinet 28"	19	4822 276 50354	Control switch assy
4	4822 432 93074	Front cover right 25"	20	4822 276 12916	Mains switch
4	4822 432 93075	Front cover right 28"		4822 053 21915	Res. 9M1 (on mains switch)
5	4822 432 92996	Door	21	4822 404 31181	Bracket fixing mains module
7	4822 410 62264	Mains knob			
8	4822 492 32656	Spring behind mains knob		4822 404 30709	Degaussing coil clip
9	4822 432 93073	Front cover left 25"		4822 157 63747	Degaussing coil 25"
9	4822 432 92998	Front cover left 28"		4822 157 63752	Degaussing coil 28"
10	4822 417 50252	Locking mechanism		4822 131 20345	Picture tube A59EAK22X13
11	4822 460 10987	Indication strip		4822 131 20317	Picture tube A66EAK22X13
12	4822 502 12865	Picture tube spindle		4822 218 21079	Remote control RC6512
13	4822 505 10903	Picture tube nut		4822 432 92761	Battery cover RC6512
14	4822 404 30869	Degaussing coil bracket		4822 432 92762	Top cover RC6512
15	4822 320 20172	EHT cable assy			
16	4822 458 50449	Grill left 25"			