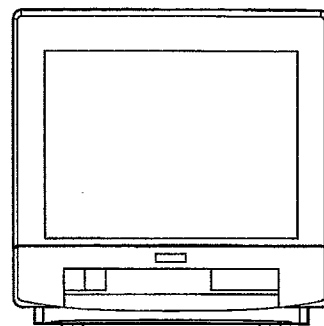


Service
Service
Service



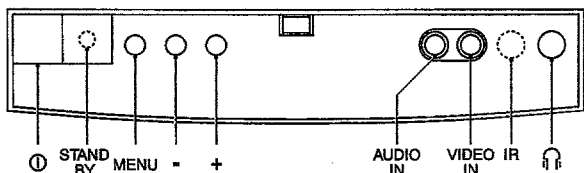
CL 26532210/016
071292

Service Manual

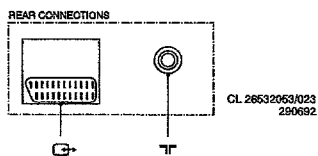
Safety regulations require that the set be restored to its original condition and that parts which are identical with those specified be used.

Les normes de sécurité exigent que l'appareil soit remis à l'état d'origine et que soient utilisées les pièces de rechange identiques à celles spécifiées.

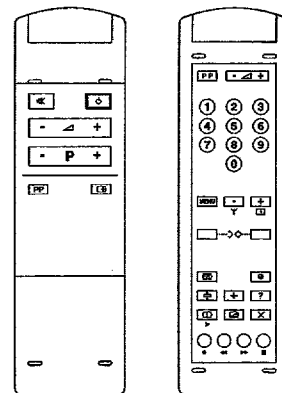
CHASSIS ANUBIS A



CL 26532210/015
071292



CL 26532063/023
250692



CL 26532210/012
071292

RC 9057



220-240 V (± 10%)
50 W



A41EAM11x13 (17")
4822 131 20407
A36EAM11x13 (15")
4822 131 20438



axbxc (mm)
418x410x409 (for 17")
370x379x379 (for 15")



1x1 W

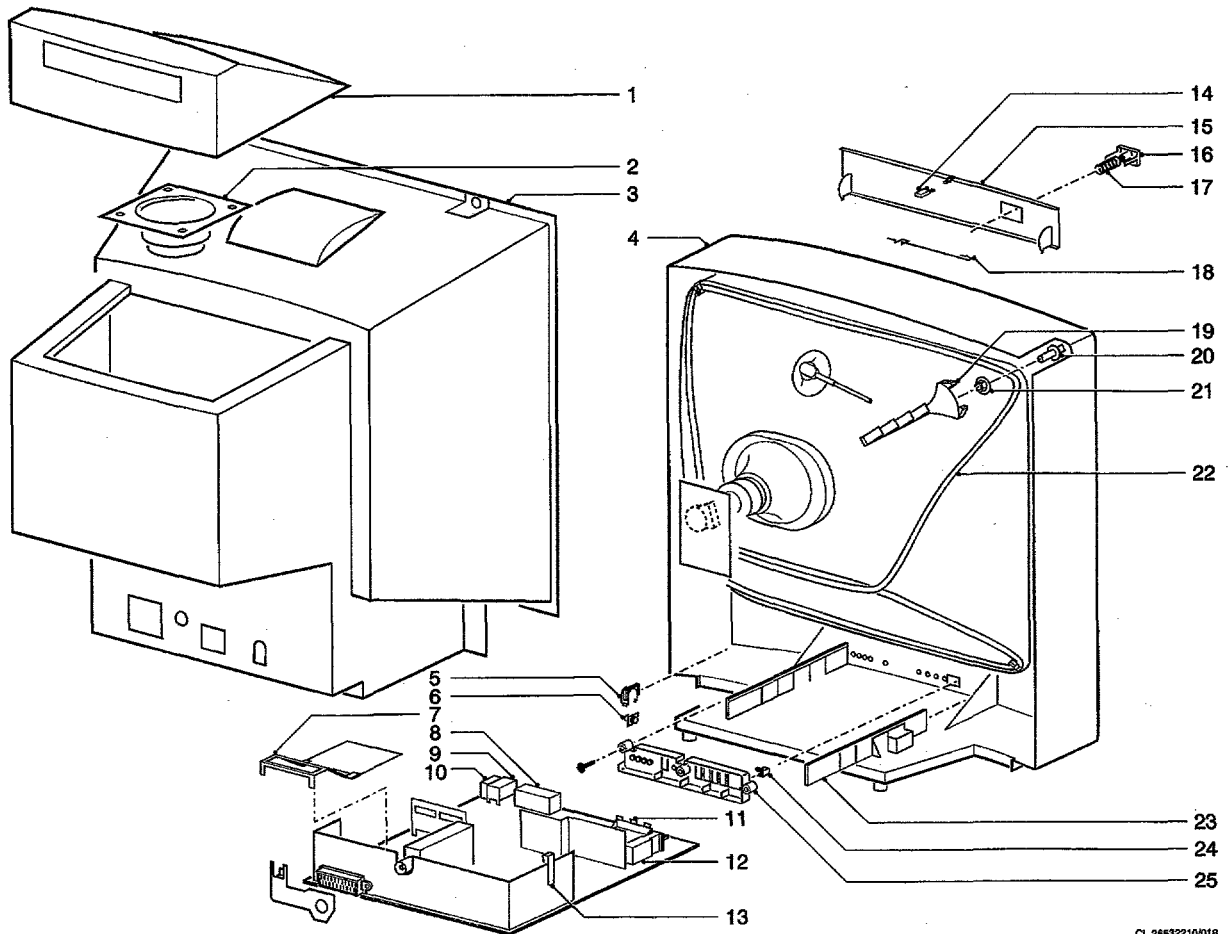


-/00 : PAL BG
-/01 /13 : PAL BGI
SECAM BGLL'
-/05 : PAL I



UV917E
VHFa : 46-118 MHz
VHFb : 118-300 MHz
UHF : 470-861MHz
U943C
Only for -/05 /
UHF : 470-861MHz
UV915E
Only for -/01 /13 /
VHFa : 46-118 MHz
VHFb : 118-300 MHz
Hyper : 300-470MHz
UHF : 470-861 MHz





CL 26532210/018
081292

| | | |
|----|----------------|-----------------------|
| 1 | 4822 445 10326 | Loudspeaker box |
| 2 | 4822 240 50328 | Loudspeaker |
| 3 | 4822 438 10389 | Rear cover 17" |
| 3 | 4822 438 10391 | Rear cover 15" |
| 4 | 4822 430 10403 | Cabinet 17" |
| 4 | 4822 430 10397 | Cabinet 15" |
| 5 | 4822 462 30566 | Holder for damper |
| 6 | 4822 522 31741 | Damper |
| 7 | 4822 403 70874 | TXT Bracket |
| 8 | 4822 265 20626 | Phono 2 fold |
| 9 | 4822 218 20981 | RC Receiver |
| 10 | 4822 267 31292 | Headphone jack |
| 11 | 4822 277 21438 | Switch assy left |
| 12 | 4822 276 12597 | Mains switch |
| 13 | 4822 492 70559 | Spring for transistor |
| 14 | 4822 278 10088 | Lock mechanism |
| 15 | 4822 432 92981 | Door 17" |
| 15 | 4822 432 92982 | Door 15" |
| 16 | 4822 410 62199 | Mains button |
| 17 | 4822 492 32656 | Spring |
| 18 | 4822 492 71148 | Spring for door |
| 19 | 4822 404 30839 | Bracket |
| 20 | 4822 503 21006 | Spindle |
| 21 | 4822 505 10903 | Nut |
| 22 | 4822 157 52323 | Degaussing coil 17" |
| 22 | 4822 157 51636 | Degaussing coil 15" |
| 23 | 4822 462 30557 | Guide |
| 24 | 4822 381 11362 | LED lens |
| 25 | 4822 413 41777 | Button frame |
| | 4822 218 21152 | Remote control RC9057 |